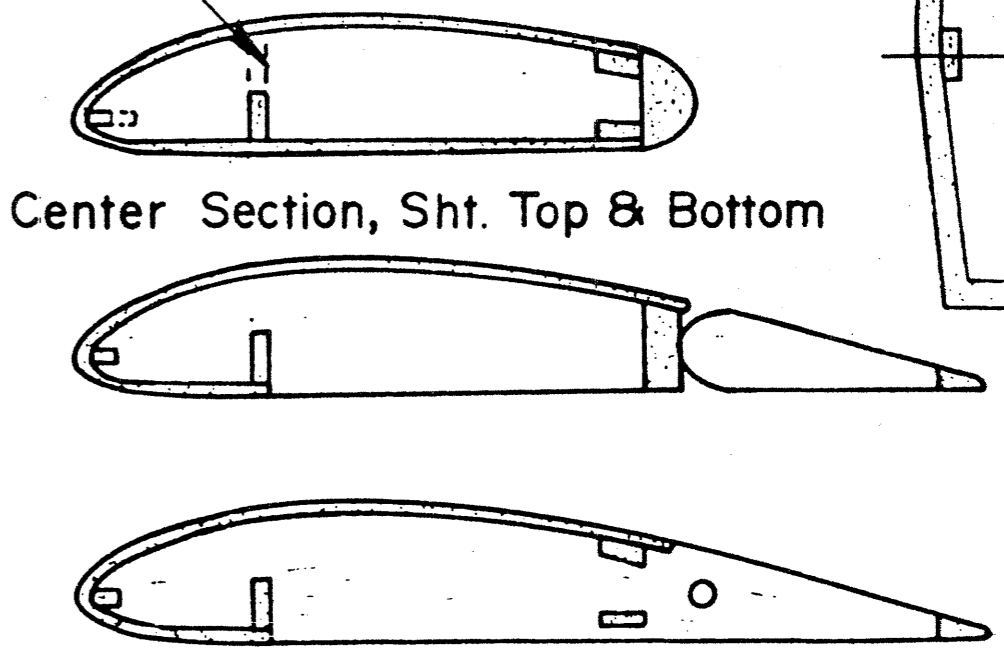


3/32x1/2 Full Depth Main Wing Spar Notched Halfway Through (Egg Crate Const)

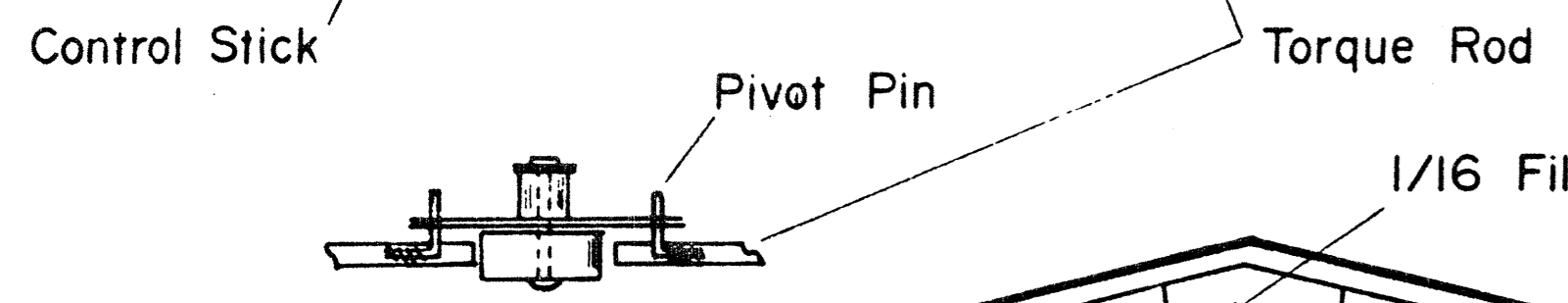
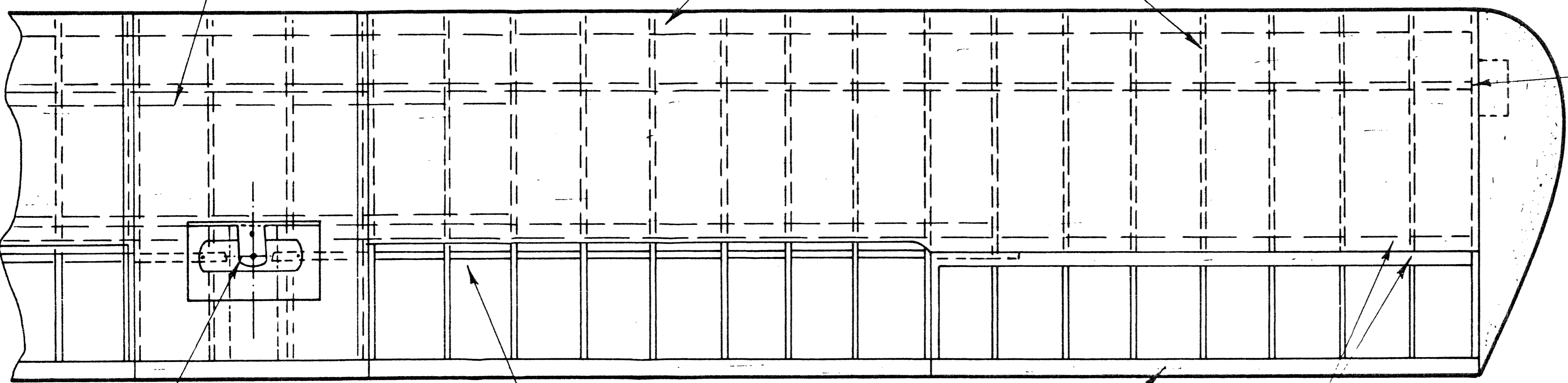


All Ribs 1/16 Sht.

1/8x1/2 Spruce Dihedral Brace

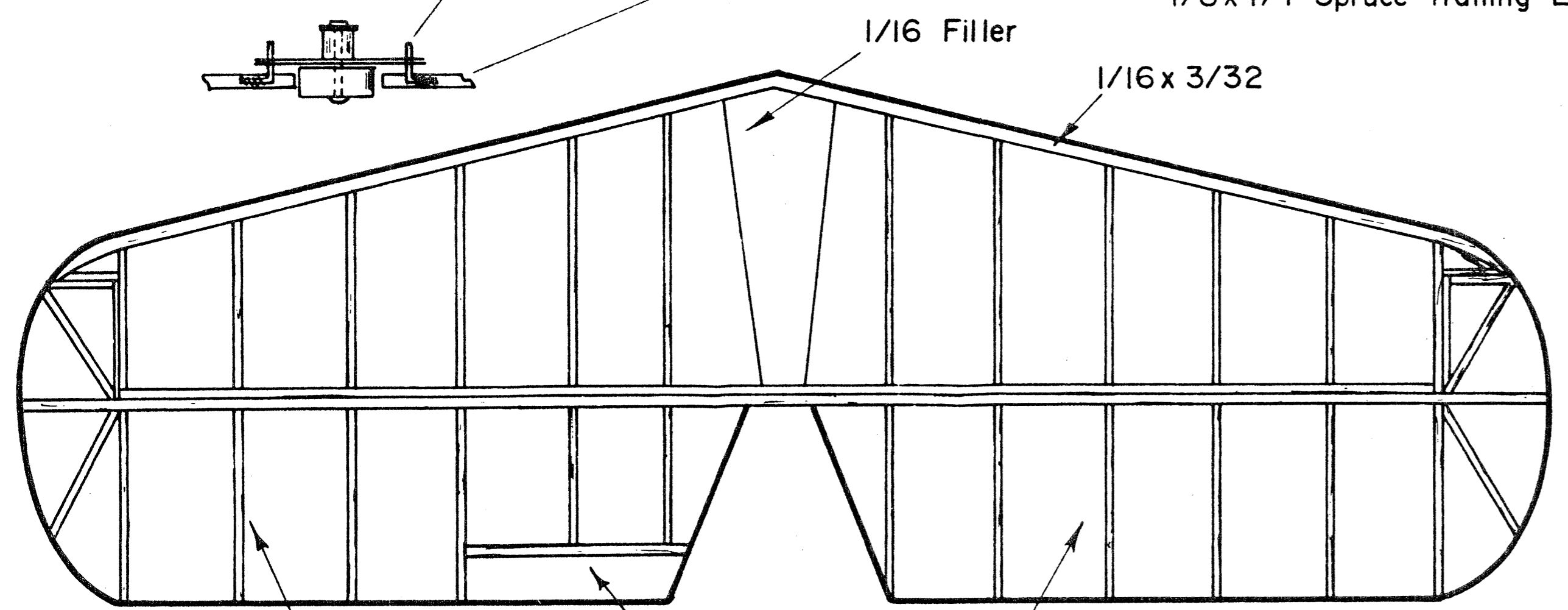
3/32x1/4 Leading Edge (Notched Halfway Through)

1/16 Ply. Rib



1/8x1/4 Spruce Trailing Edge

3/16x1/2



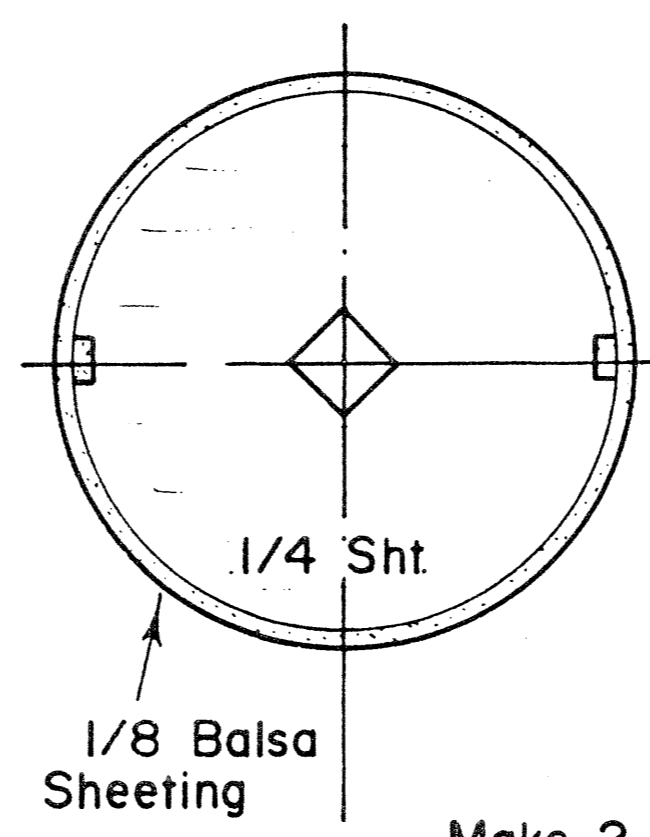
1/16 Sq.

1/8 Sht.

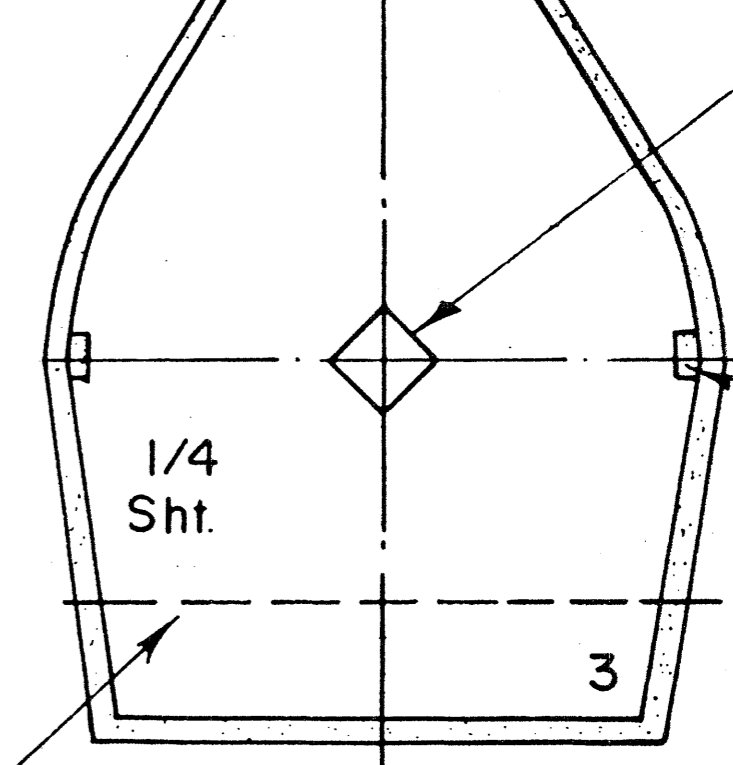
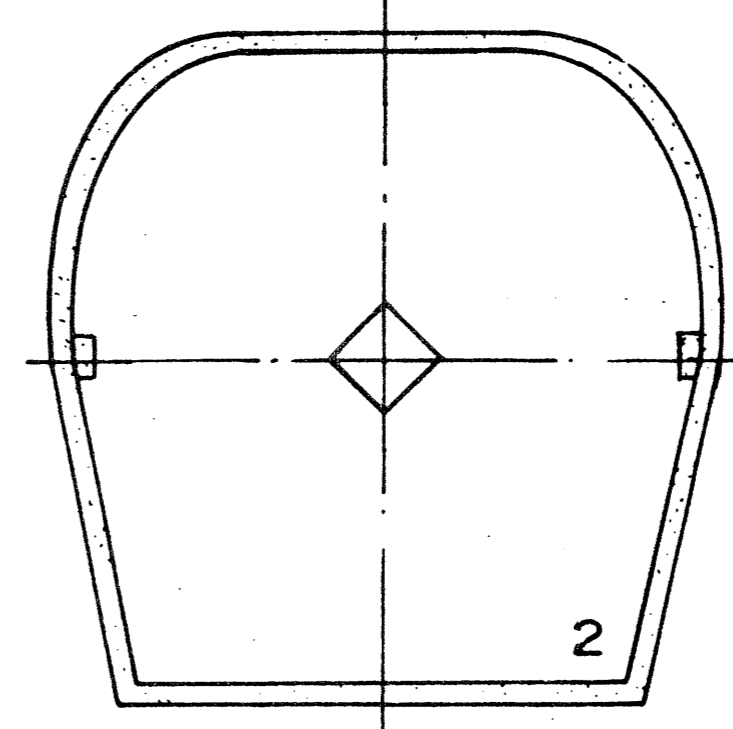
1/16 Sht.

1/16 Filler

1/16x3/32



1/8 Balsa Sheeting



Cut Out 3/8 For Construction Jig

1/8x1/4 Assy Crutch

Cut Out When Wing Is Installed

Make 2, Front Is 3/32 Ply. Rear Is 1/8 Balsa Laminated.