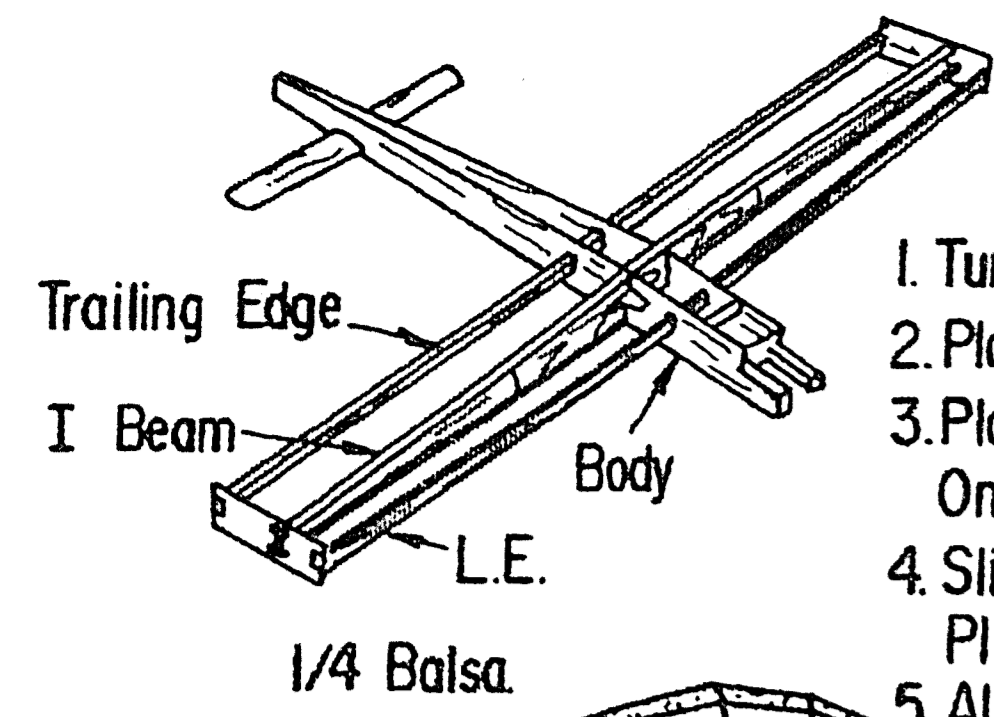


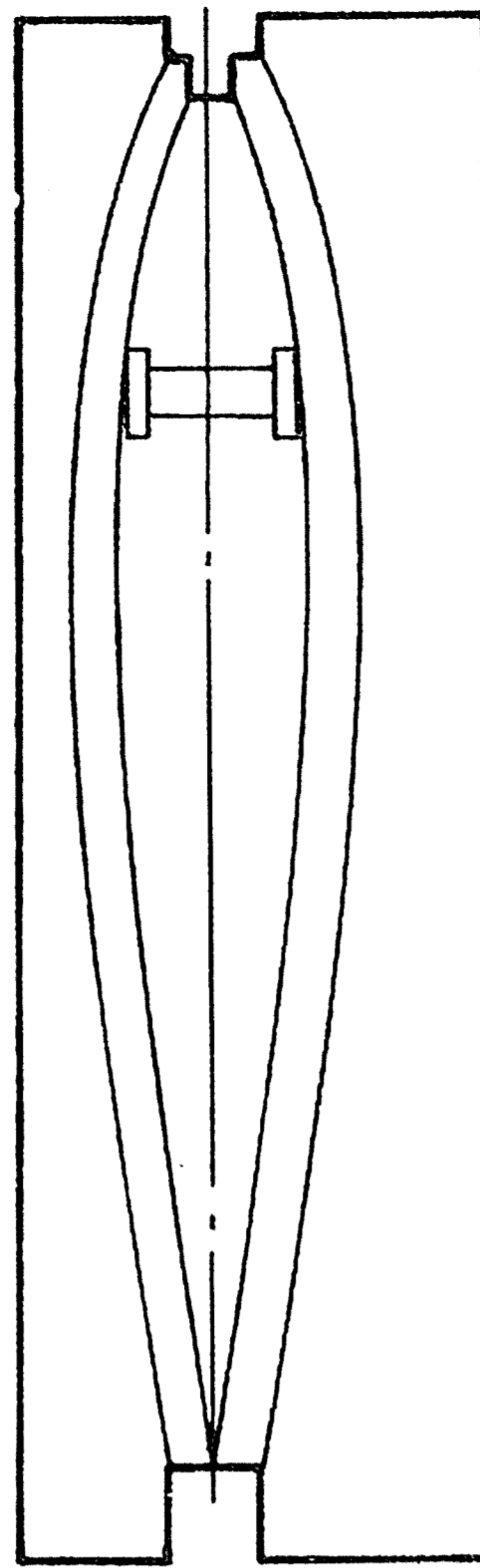
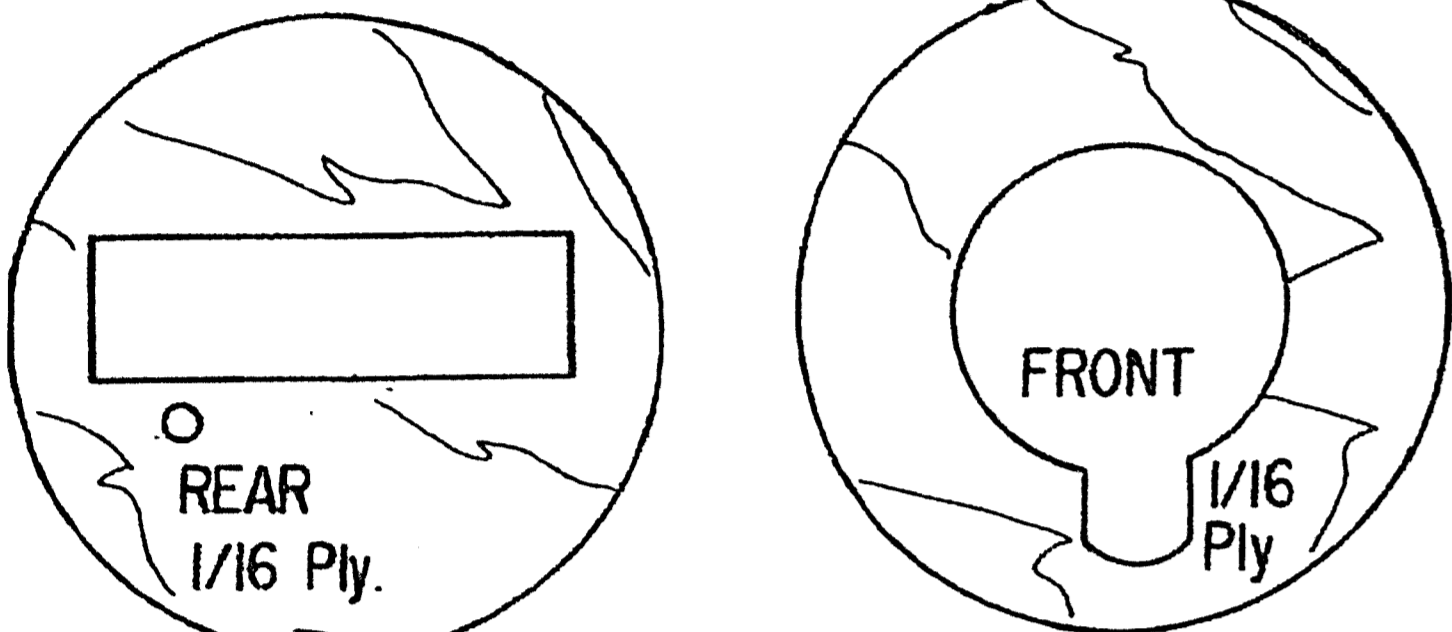
ALIGNMENT OF MODEL



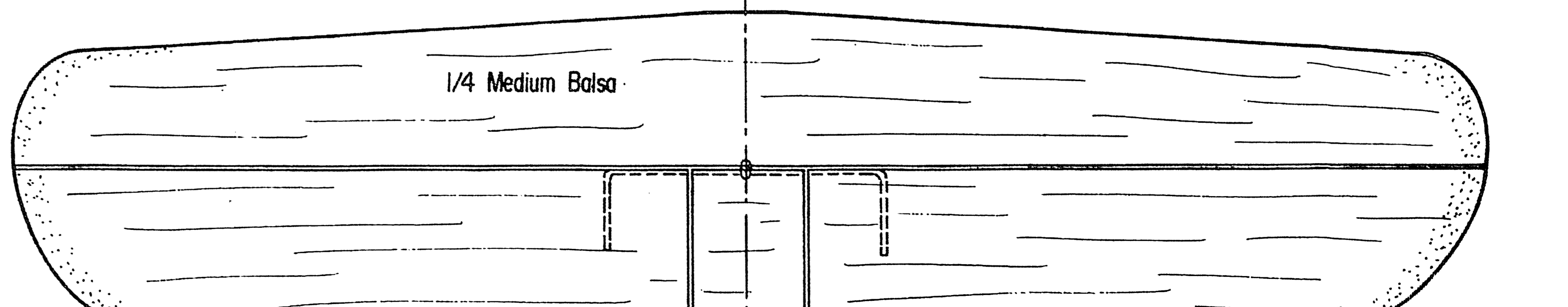
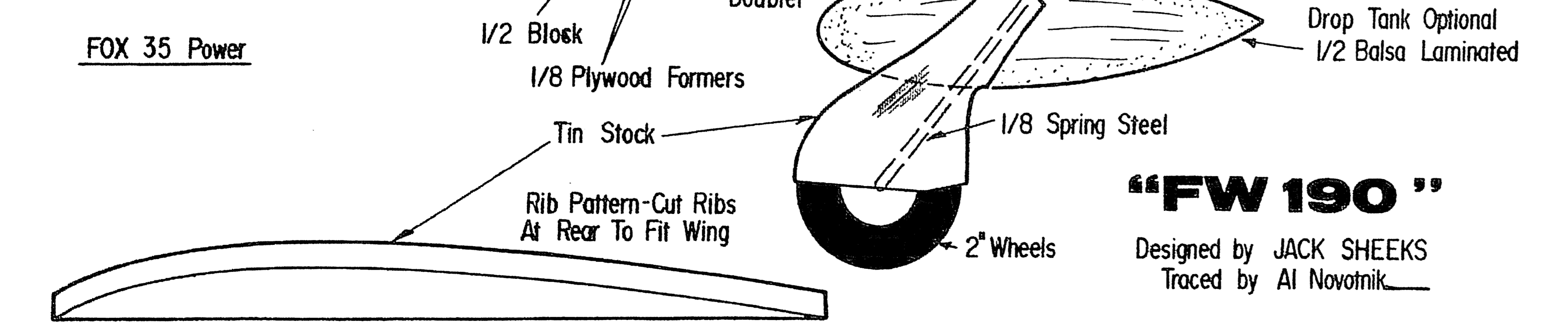
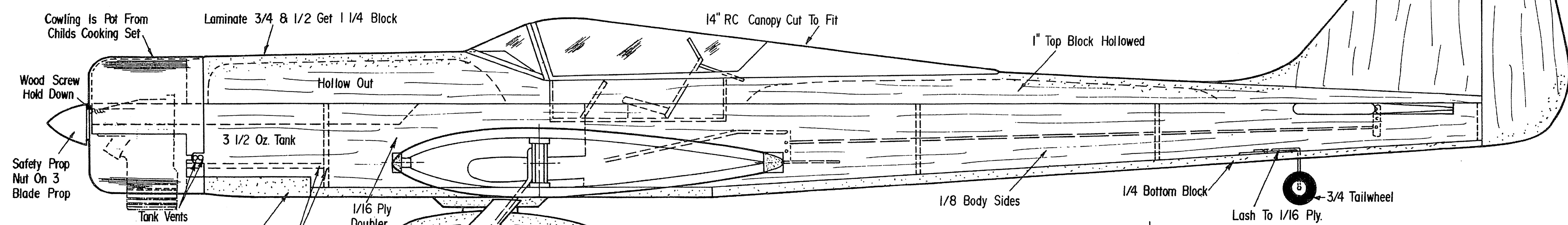
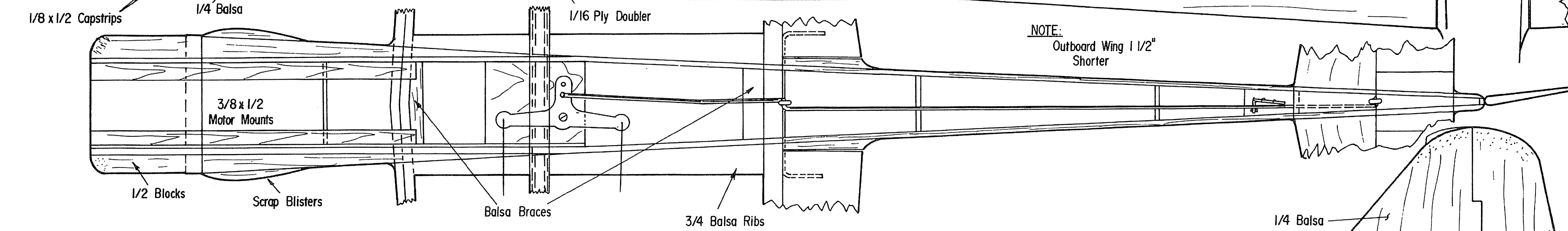
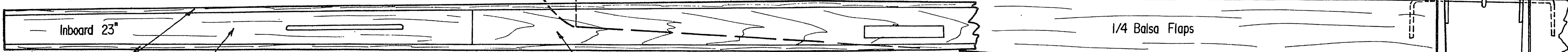
1. Turn Body Upside Down
2. Place I Beam In Body
3. Place End Formers On I Beam
4. Slide L.E. & T.E In Place
5. Align & Glue

Build Cowl Alternate By Using Rear Ring As Guide. Cut 1/4 Balsa & Glue Vertically On Rear Ring Make A Complete Circle. Glue Front Ring In Place, Sand To Shape.

ALTERNATE COWL



Make 2 - 1/8 Balsa



"FW 190"

Designed by JACK SHEEKS
Traced by AI Novotnik