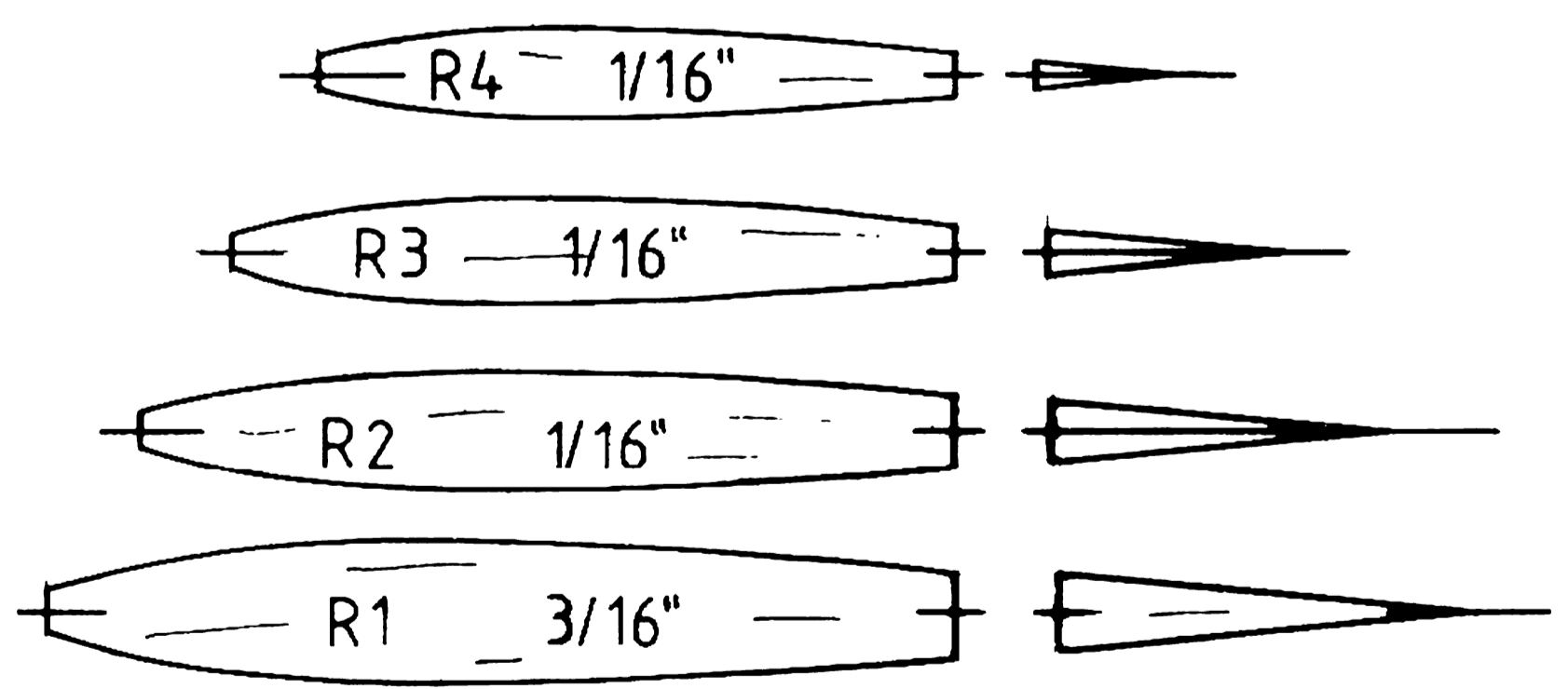
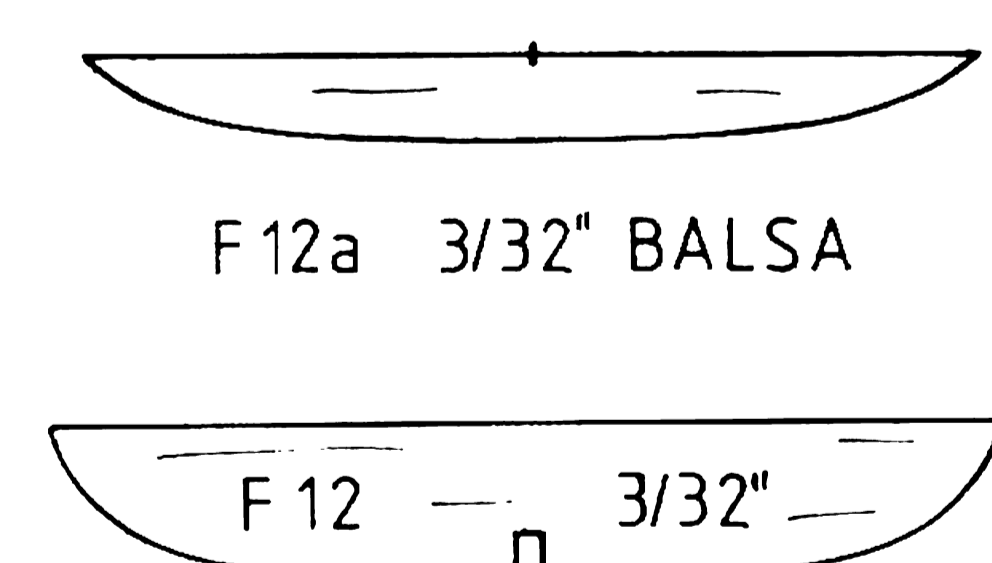
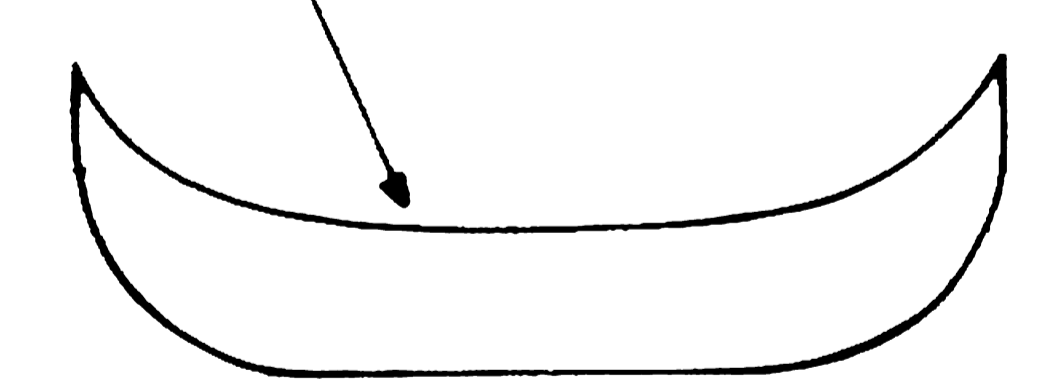
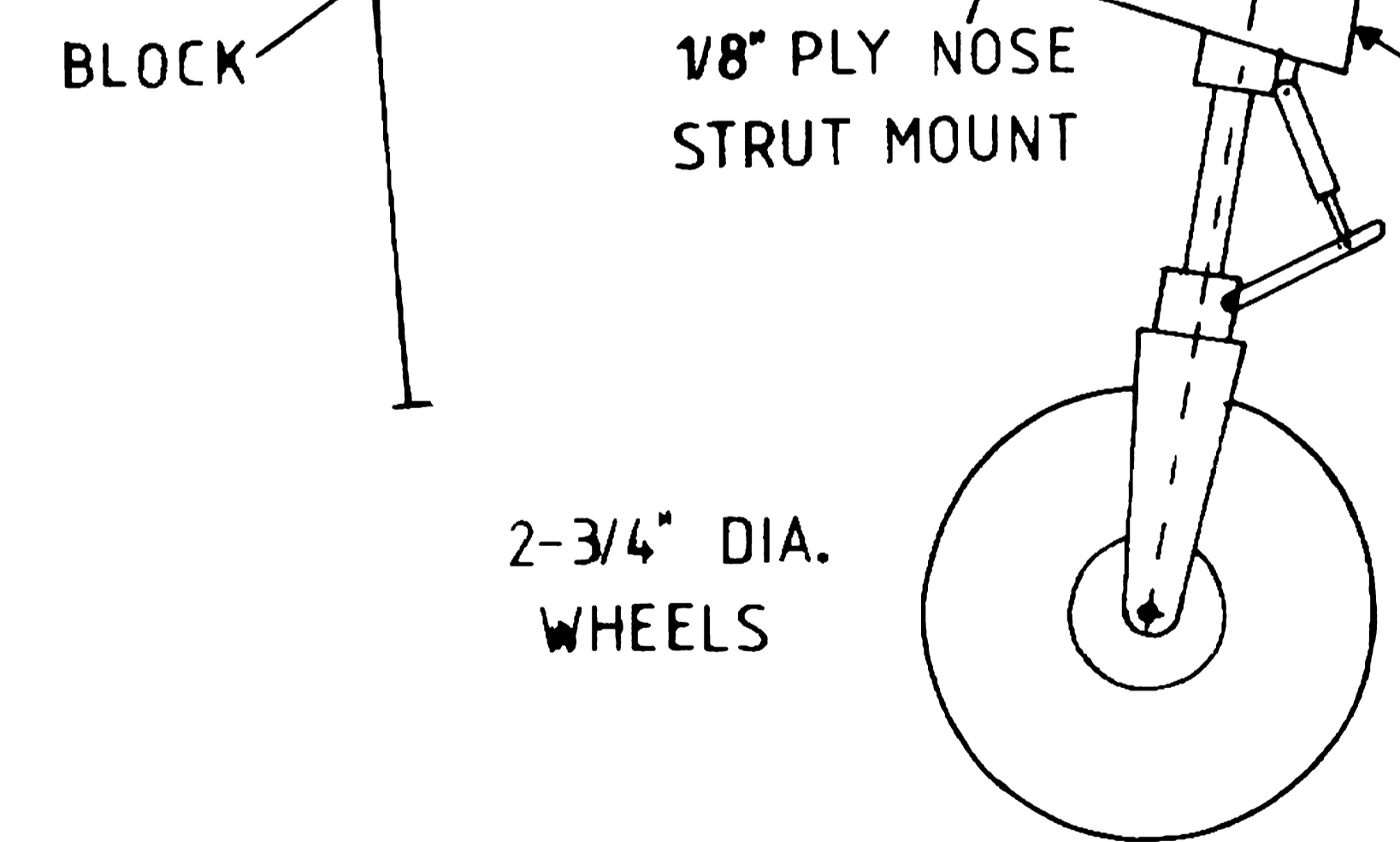
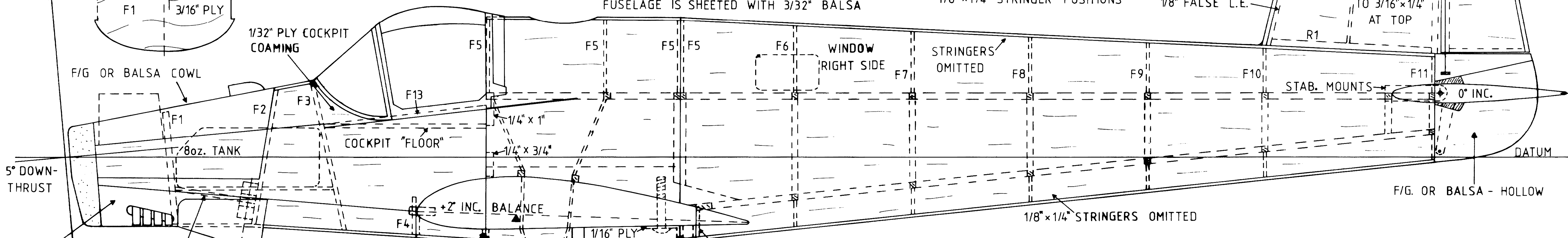
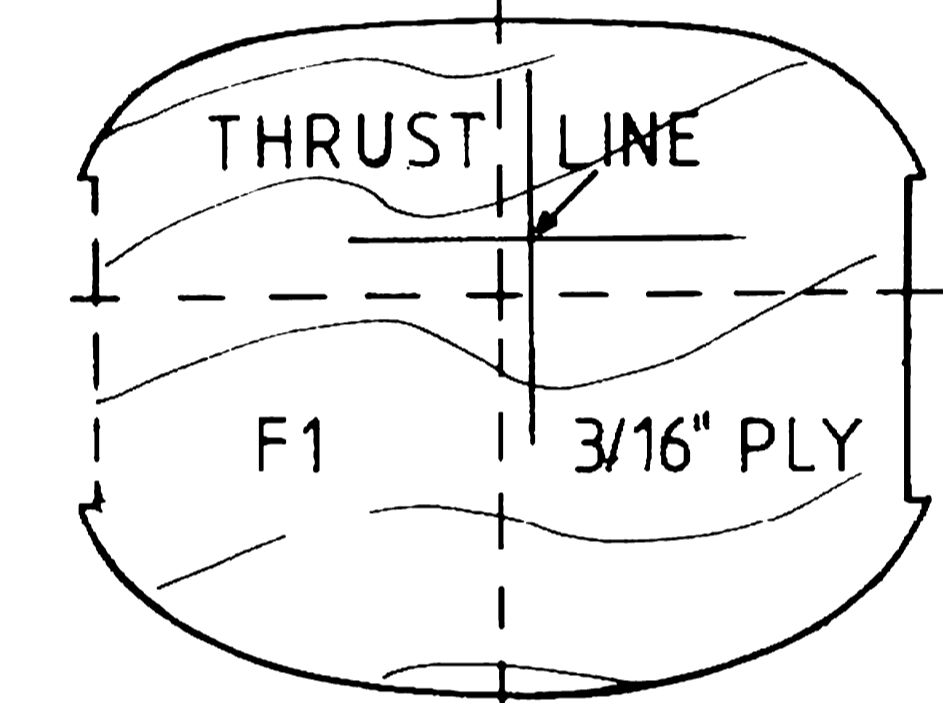
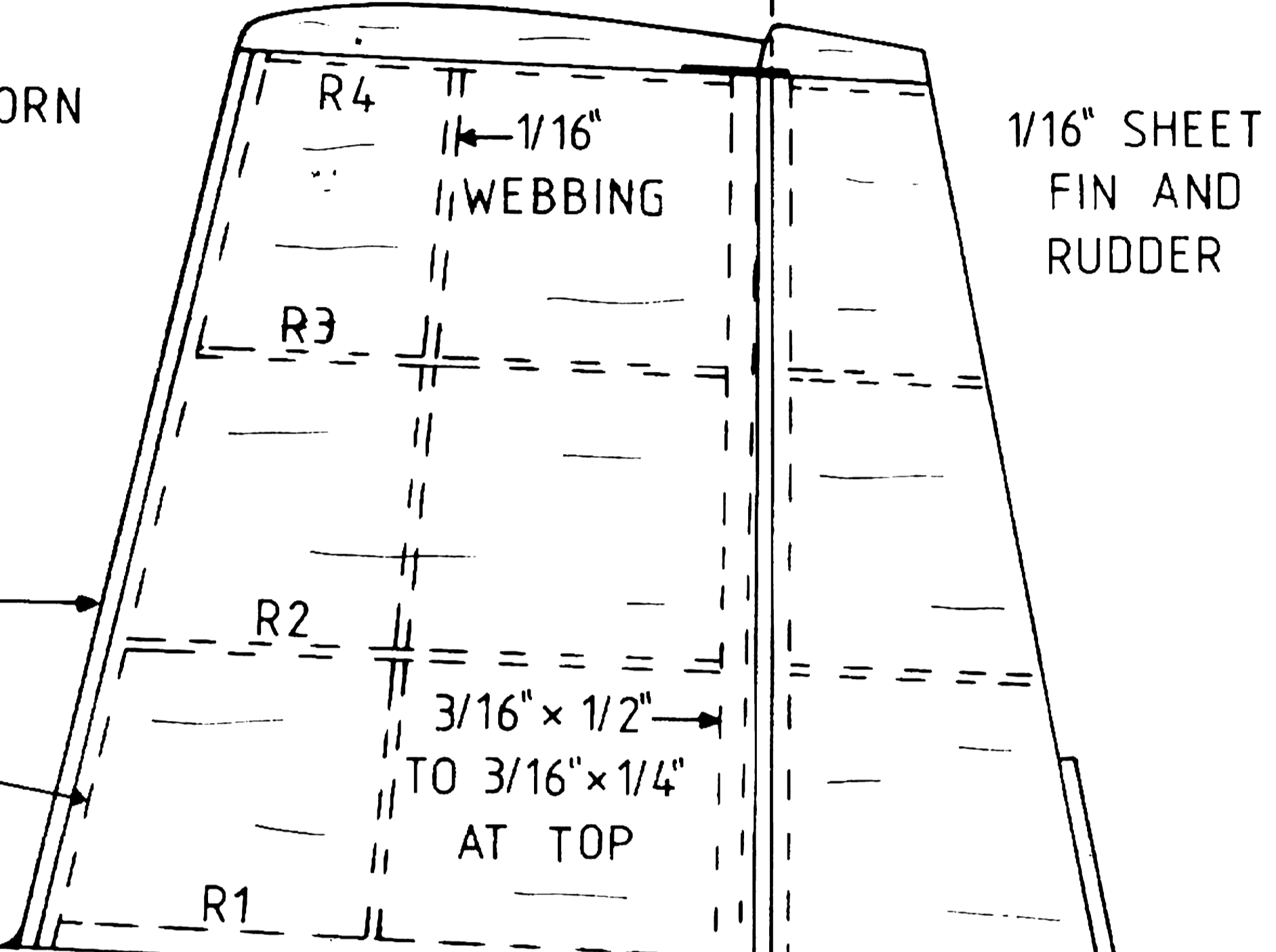
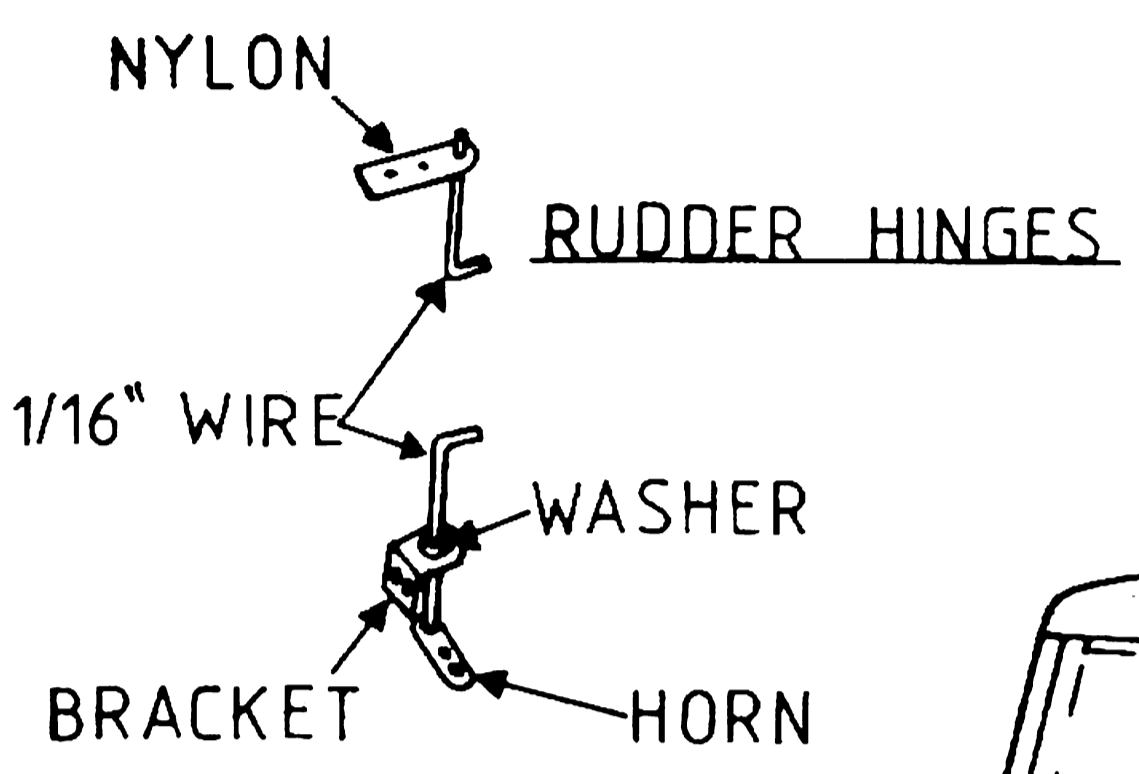
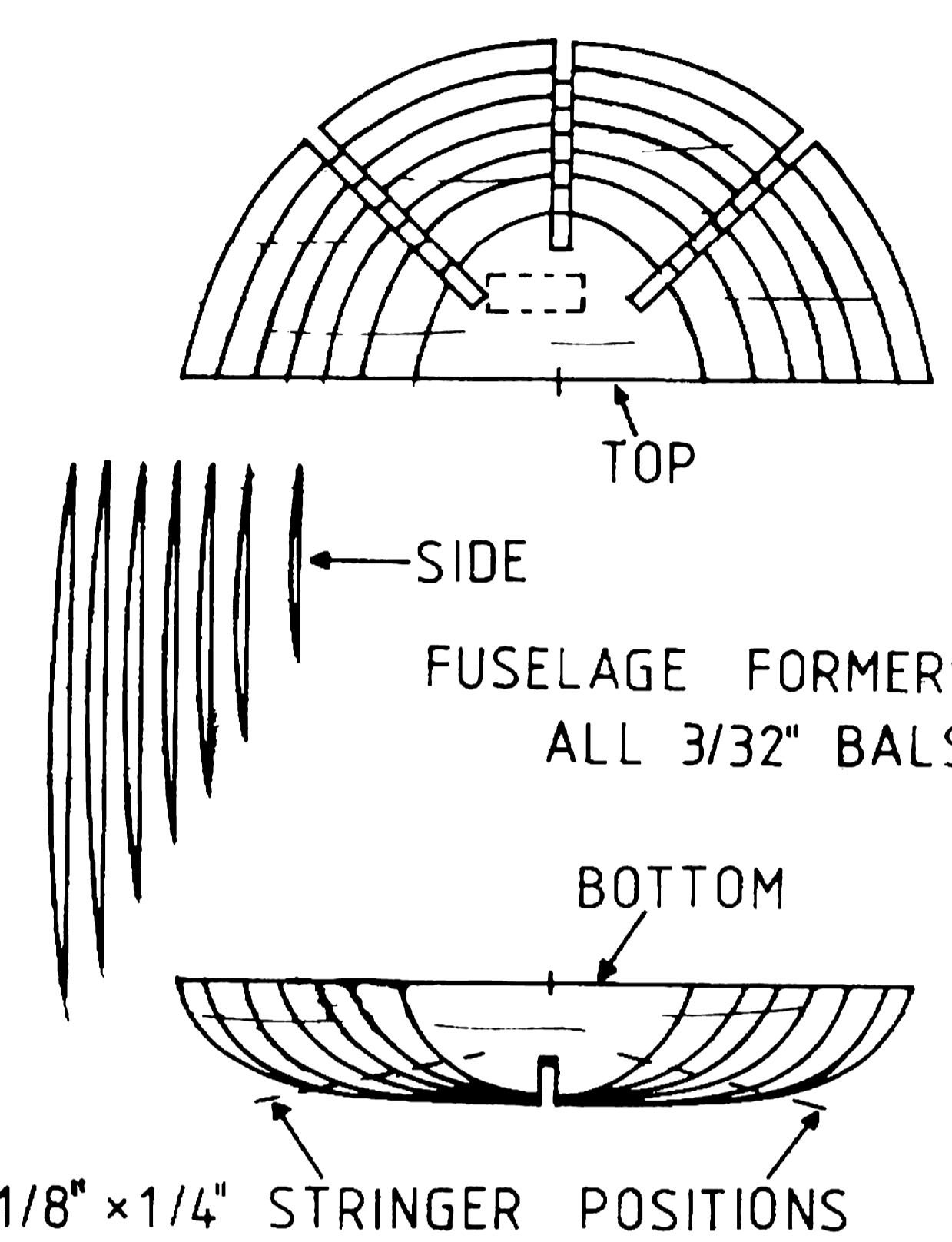
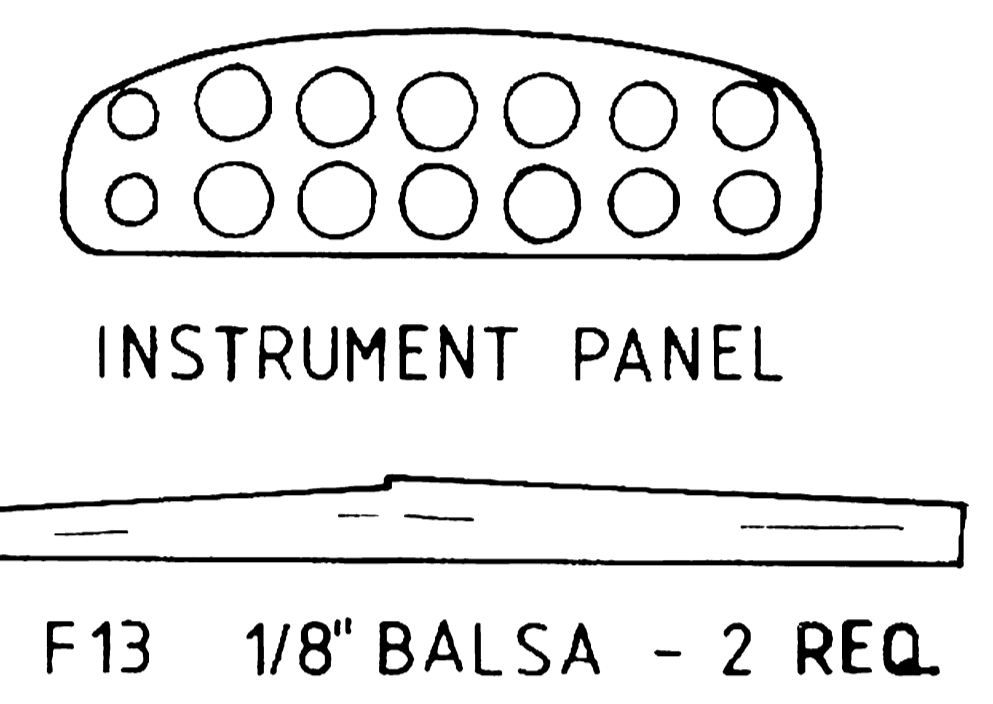
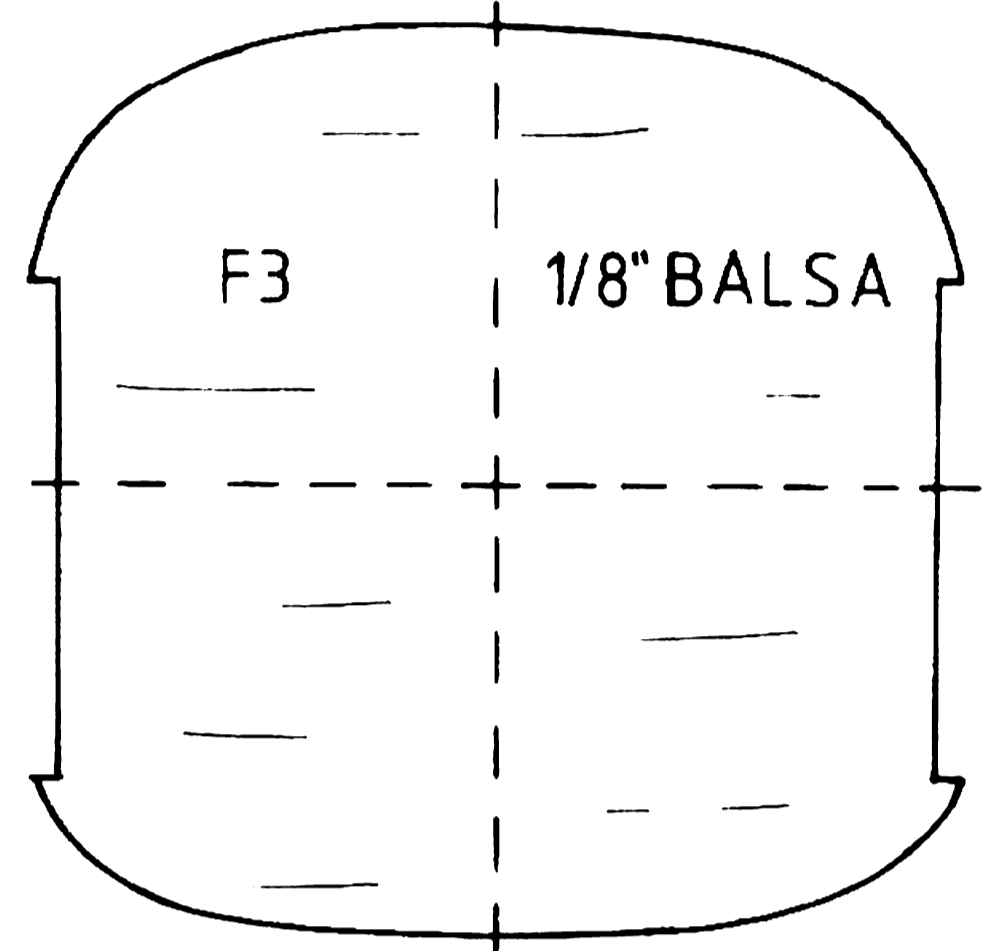
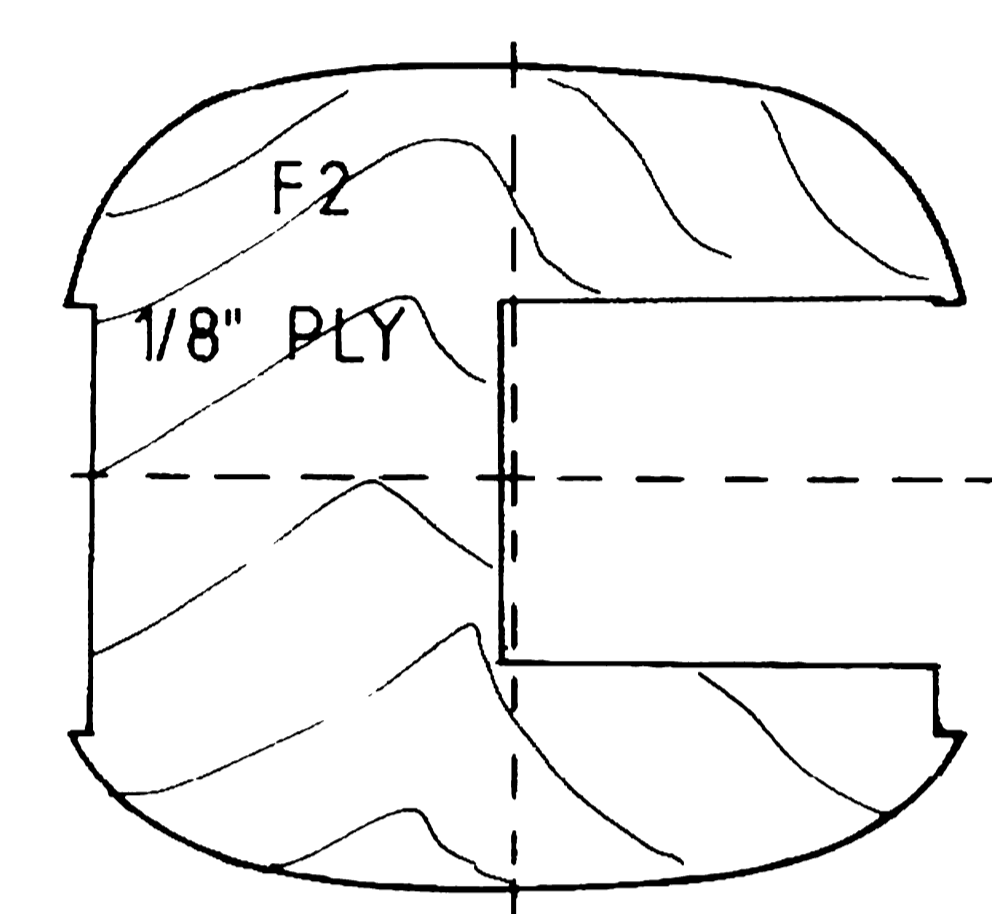
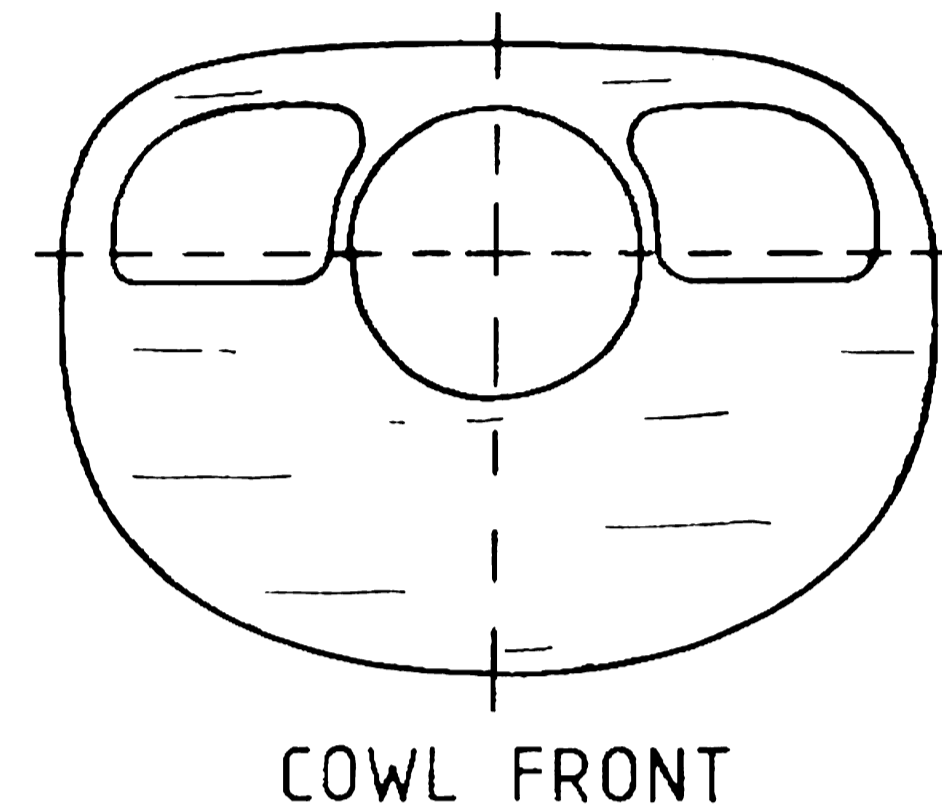
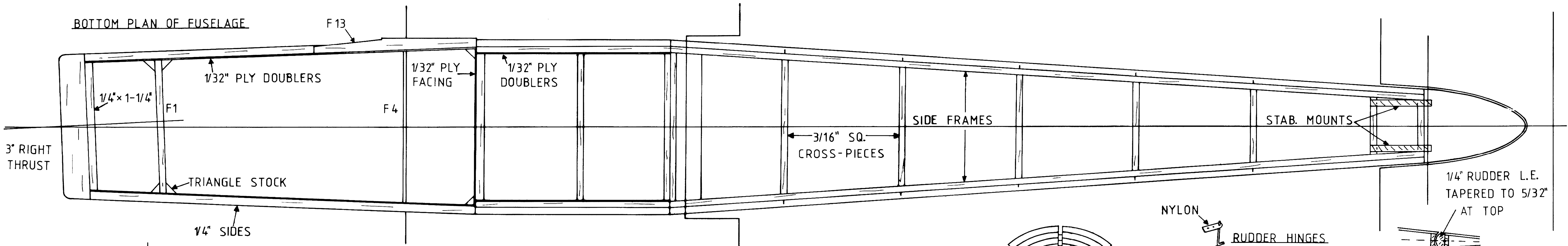
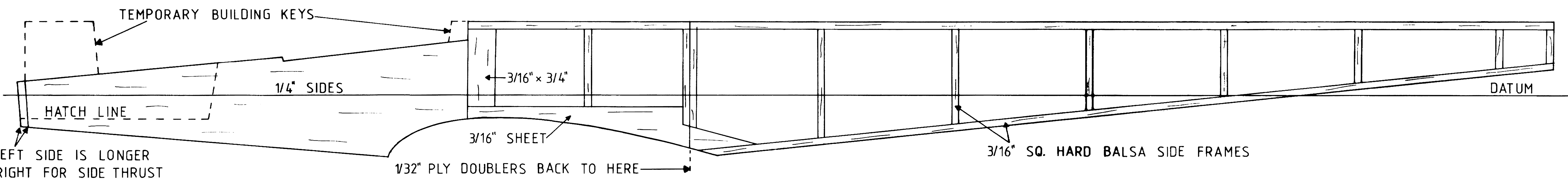


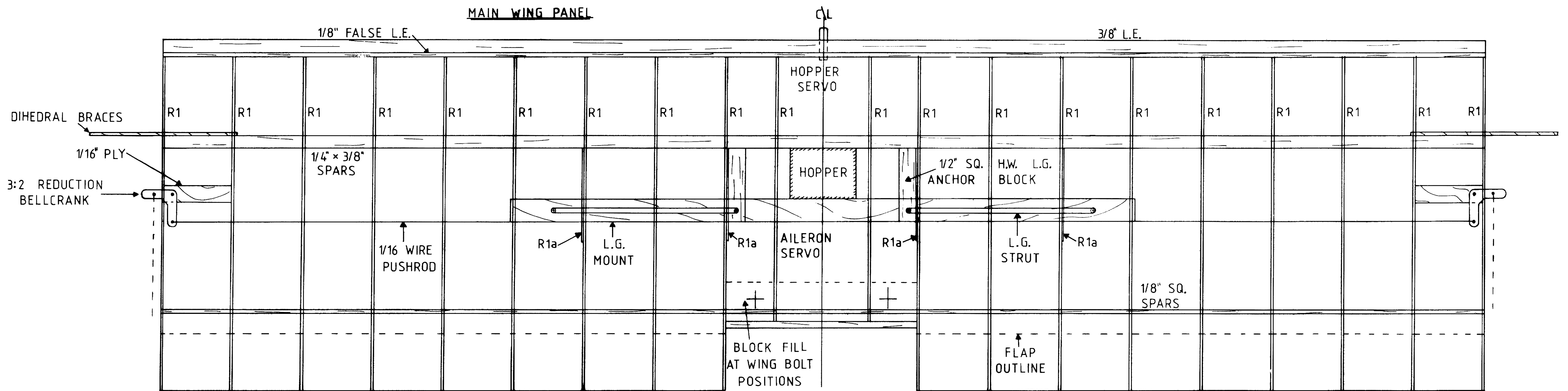
**BOTTOM PLAN OF FUSELAGE**



<b>FLETCHER FU-24-950</b>			
AN R/C SCALE DESIGN FOR .40 DISPLACEMENT ENGINES			
DESIGNED AND DRAWN BY ARTHUR HEENAN			
WINGSPAN - 63"	AREA - 650 SQ. IN.	WEIGHT - 6LB.	
WING LOADING - 21.3 OZ. PER SQ. FT.		LENGTH - 48"	
0 1 2 3 4 5 6 7 8 9 10 11 12			

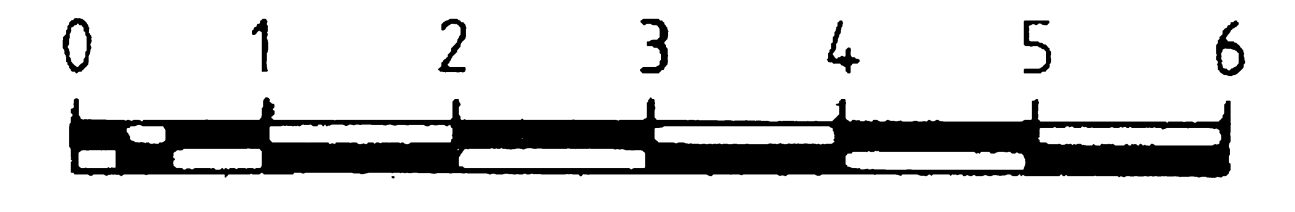
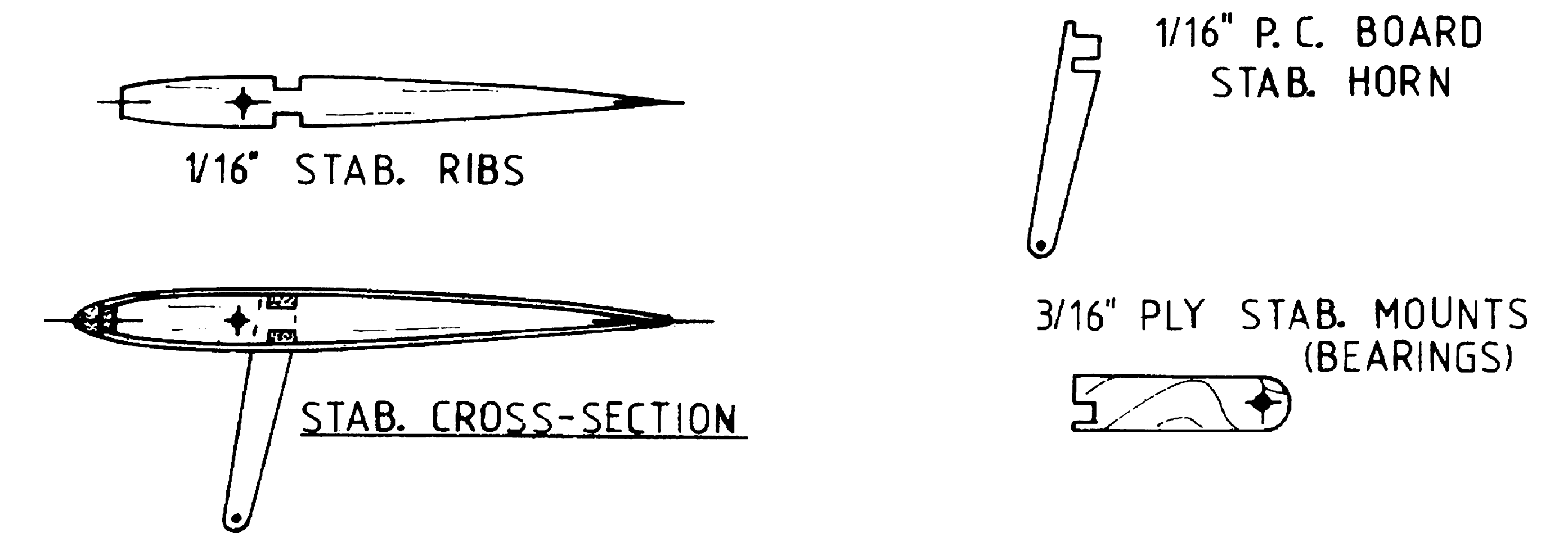
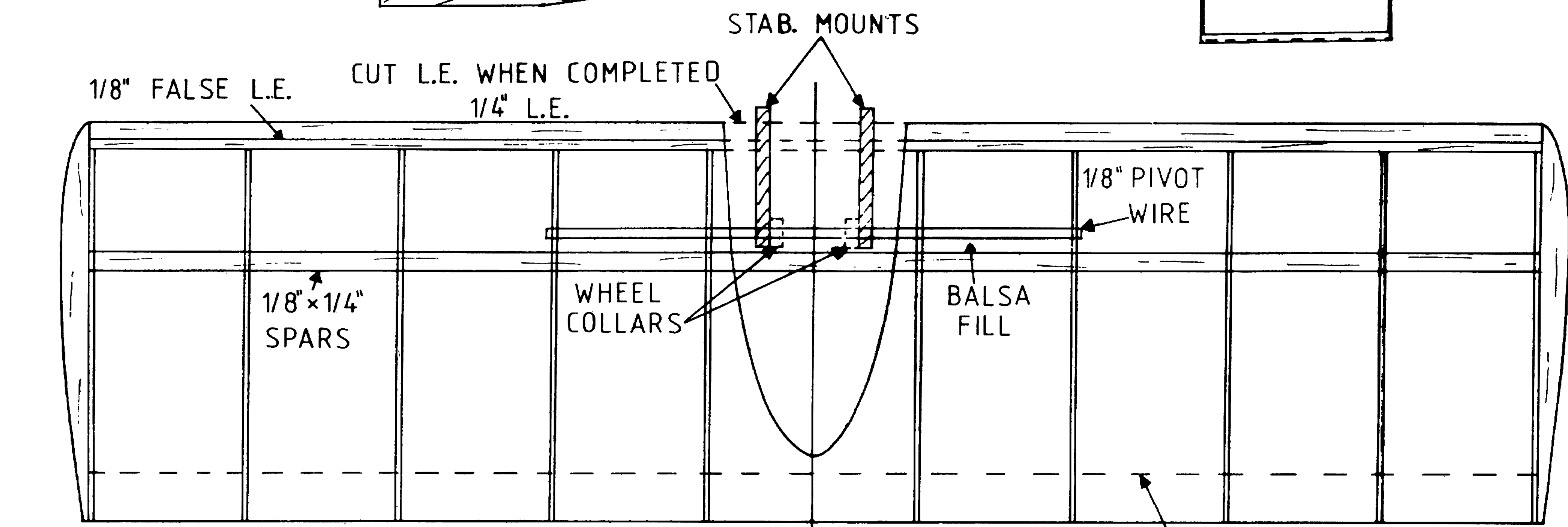
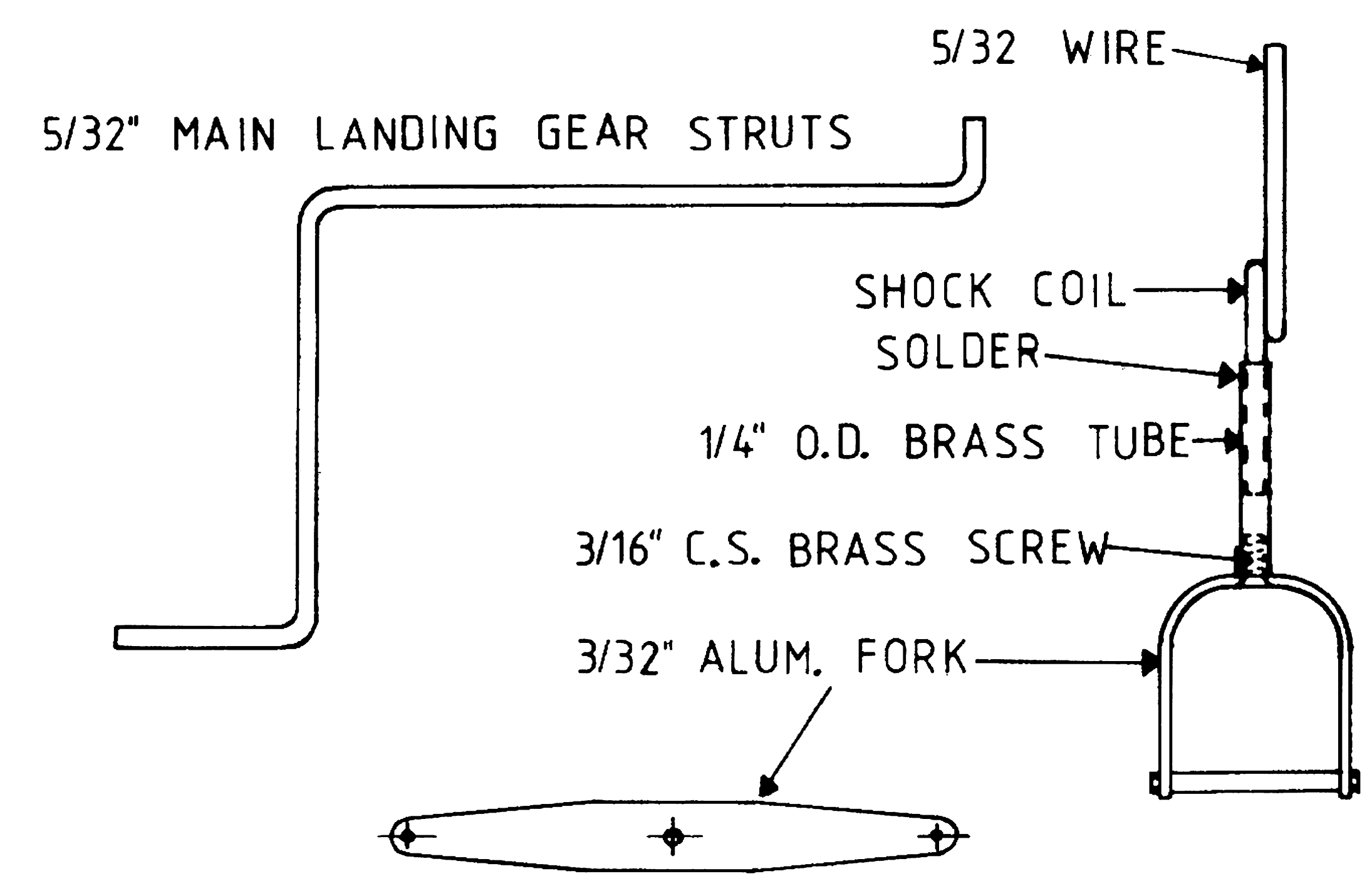
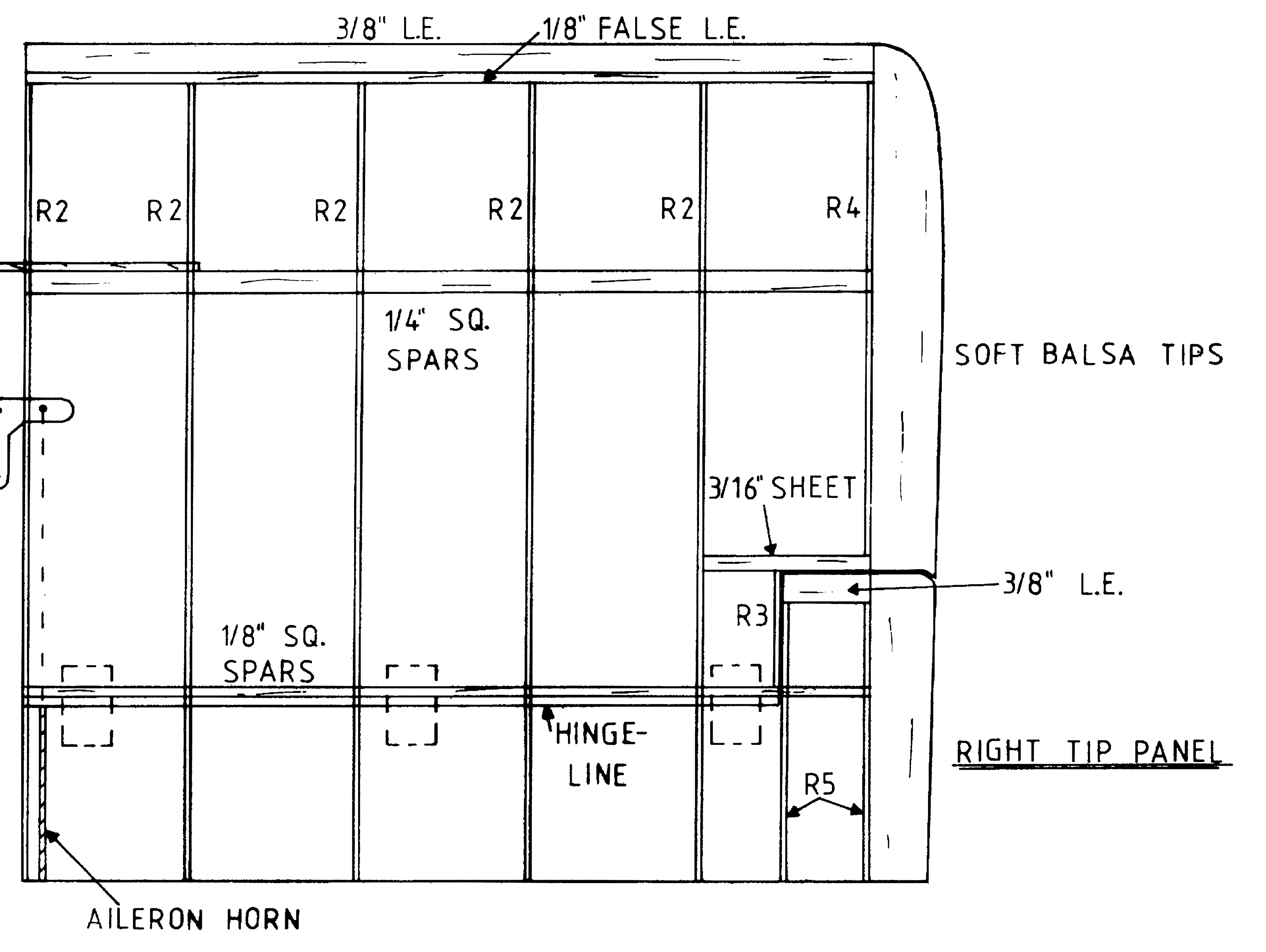
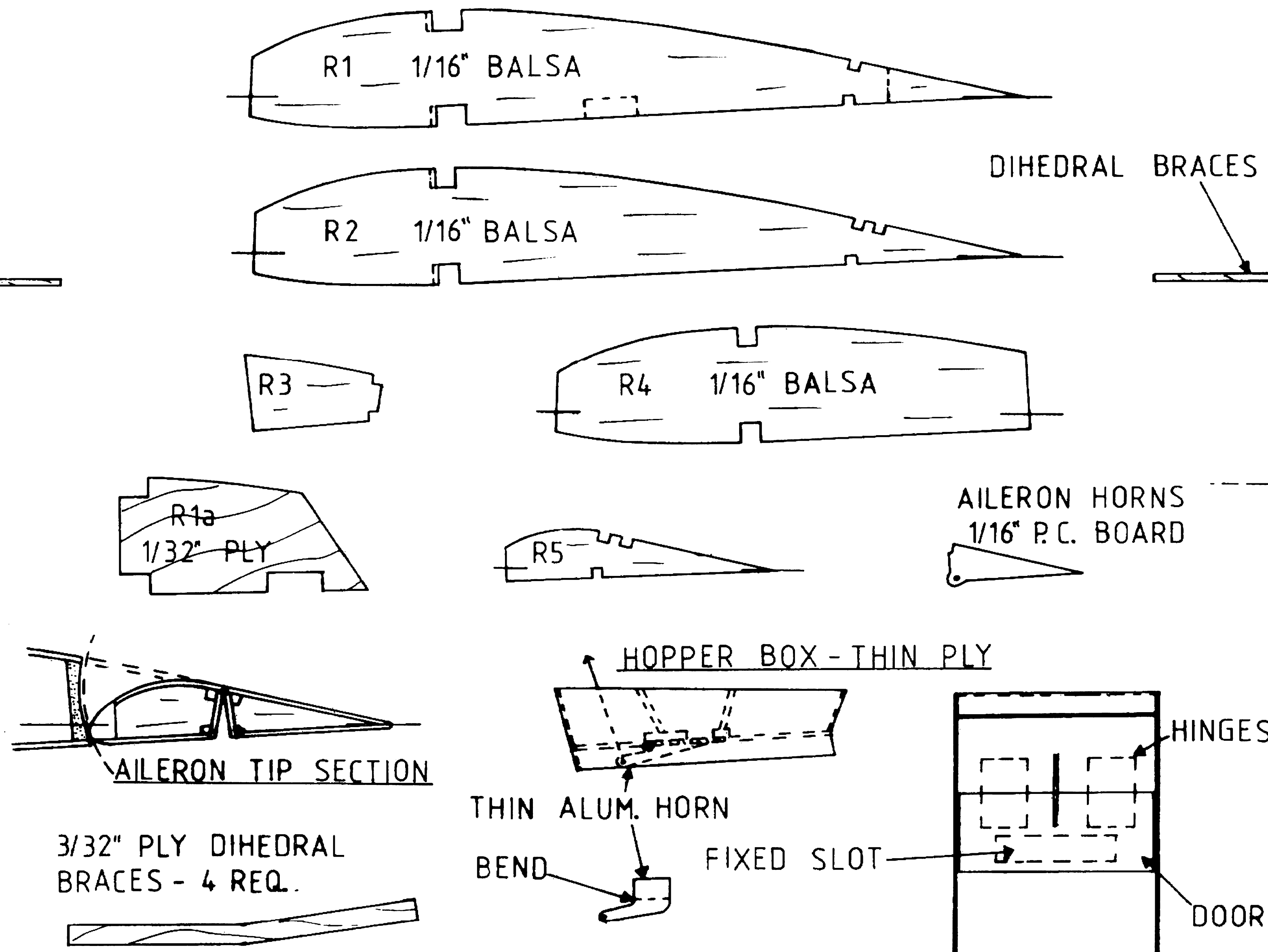
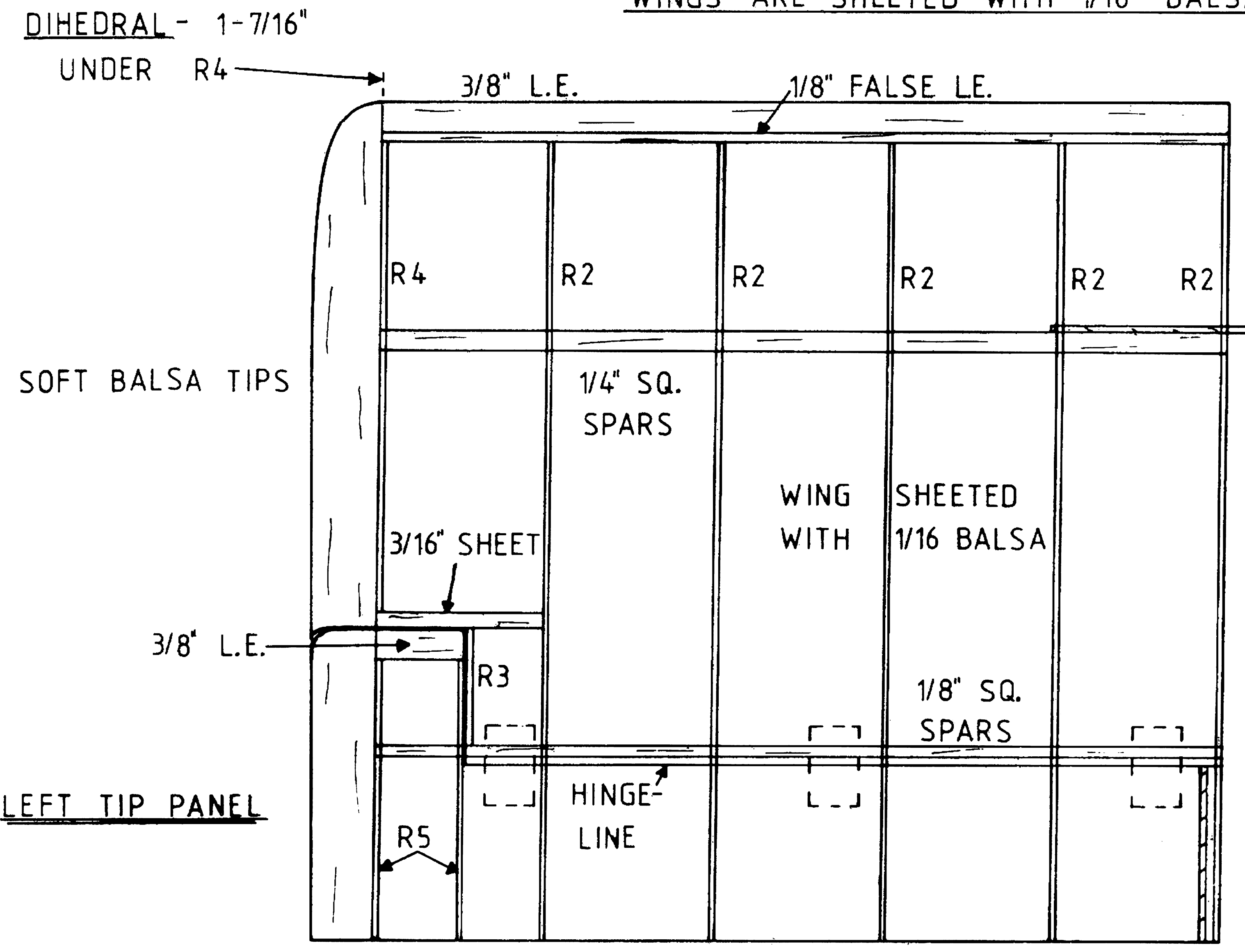


NOTE LEFT SIDE IS LONGER THAN RIGHT FOR SIDE THRUST



WINGS ARE SHEETED WITH 1/16" Balsa

TOP SHEETING OMITTED FOR CLARITY - ALL SURFACES



ALL FLYING STABILATOR

<b>FLETCHER FU-24-950</b>	
63" SPAN R/C SCALE	
DESIGNED BY A. HEENAN	SHEET 2