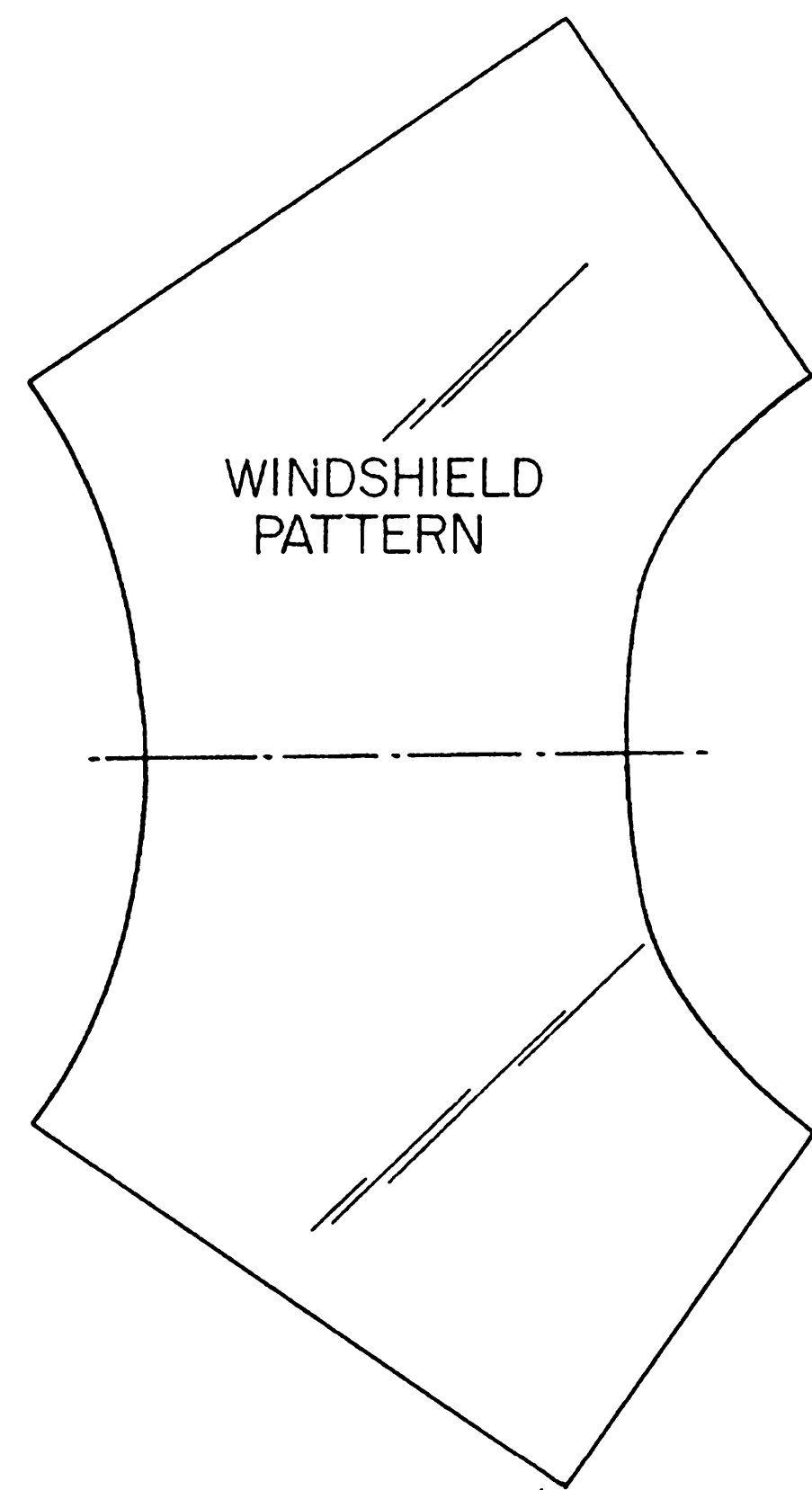


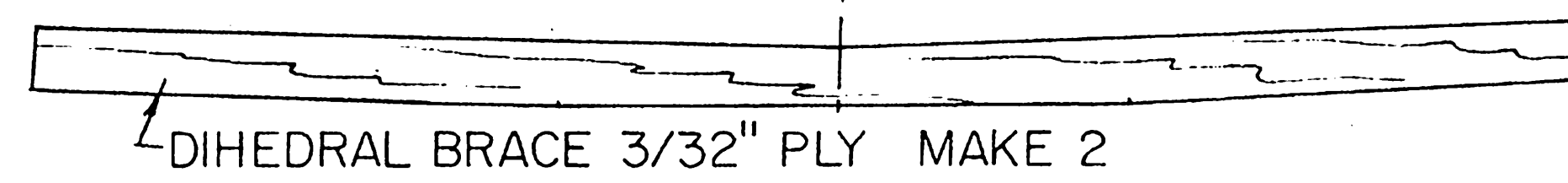
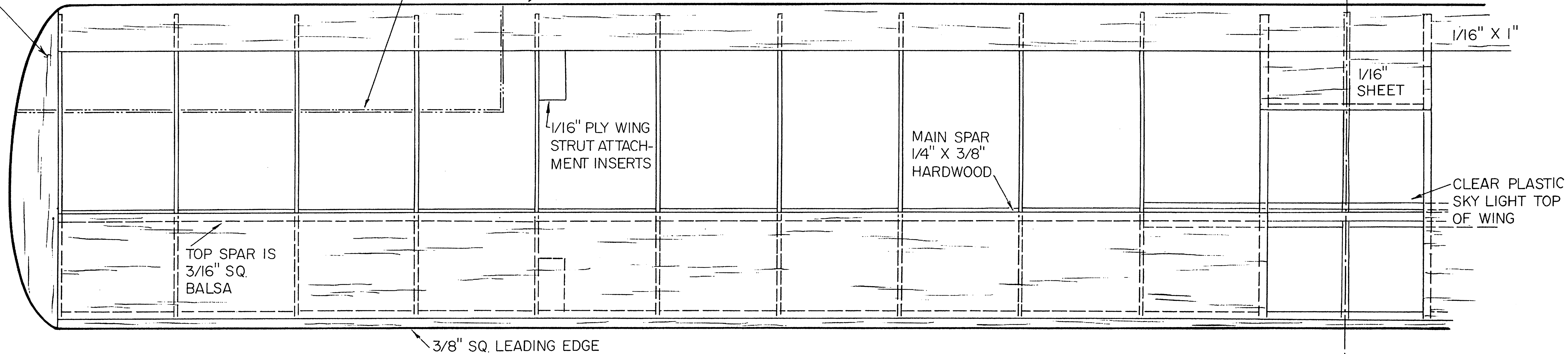
3/16" SHEET TIP CENTERED ON END RIB

SCALE ALERON LINES LOCATION

TRAILING EDGE 1/16" X 1" TOP AND BOTTOM

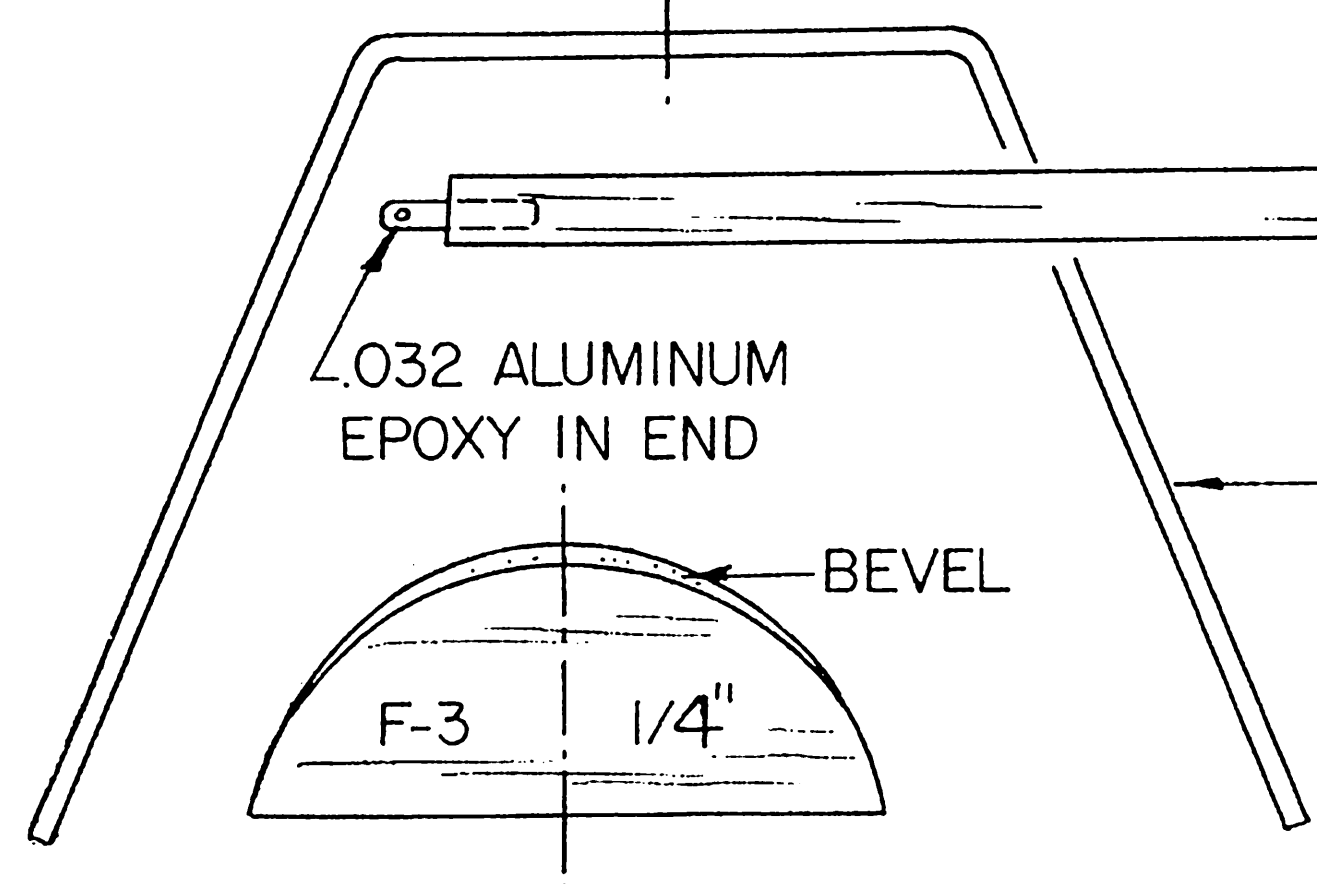


WINDSHIELD PATTERN



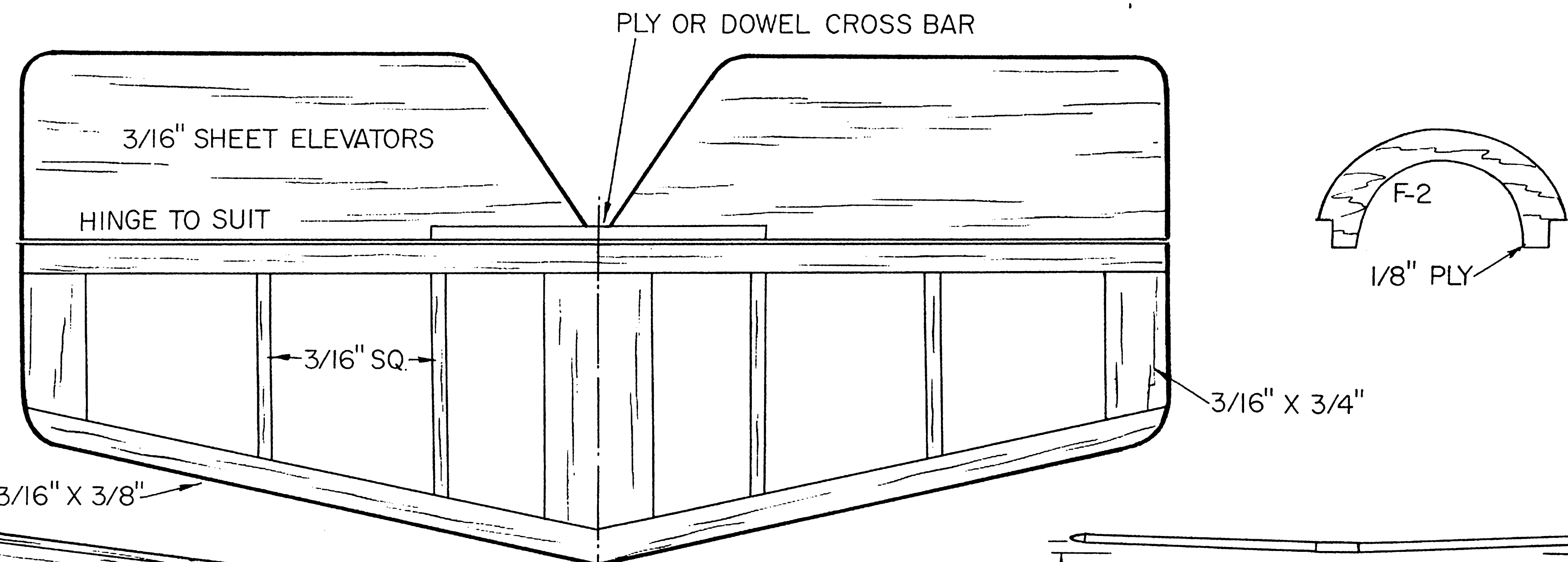
WING STRUTS 3/16" X 3/8" AIRFOILED 4 REQ'D

.032 WIRE

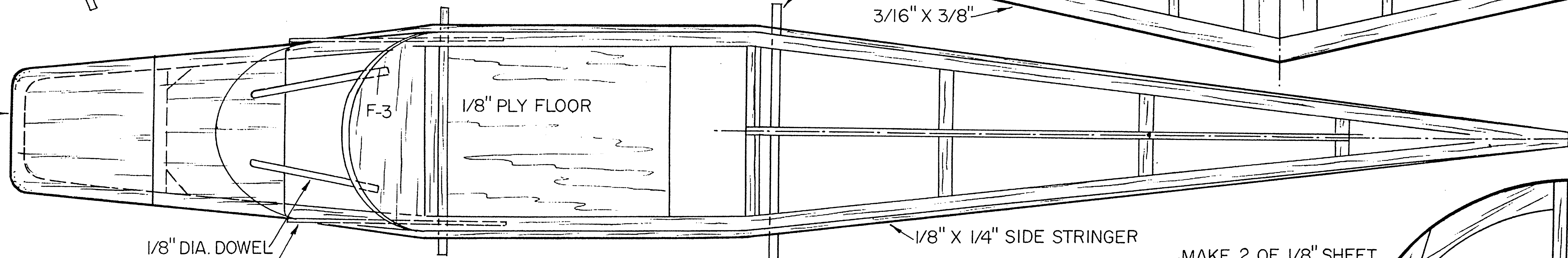


GEAR STRUTS OF 1/8" DIA. WIRE

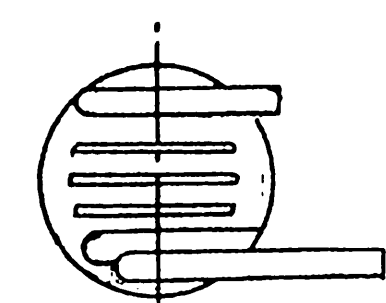
1/8" DIA. DOWEL



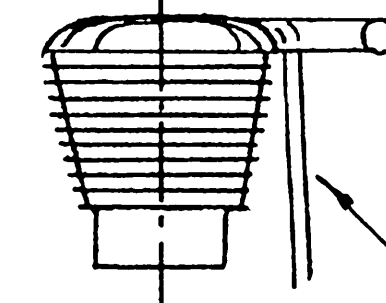
FOR .09 TO .15 ENGINES



DIHEDRAL DETAIL 1" UNDER TIP RIBS

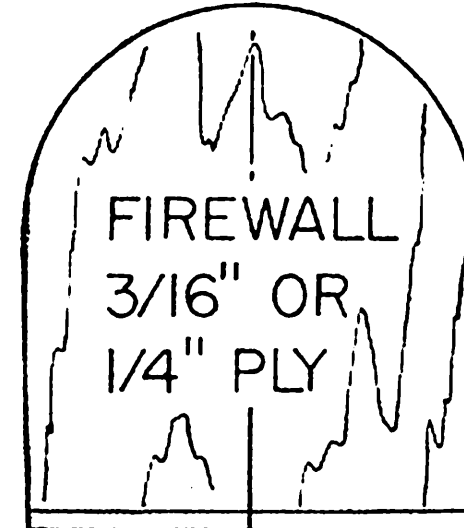


DOPE CYLINDERS (DUMMY) BLACK AND MOUNT



ALUMINUM NAIL FOR PUSHROD TUBE

DUMMY CYLINDERS - MAKE TWO OF BALSAL, WRAP WITH CORD FOR FINS



FIREWALL 3/16" OR 1/4" PLY

BEVEL

EXHAUST STACKS 1/8" DIA. DOWEL

BALSA BLOCK COWL

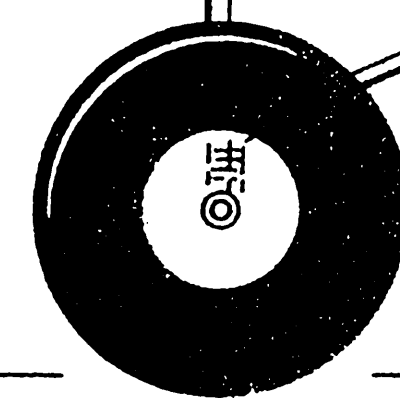
1/8" PLANKING 1/8" DIA. DOWEL

1/8" DIA. DOWEL

F-2

1/8" BALSAL FILLERS 1/16" PLY DOUBLER INSIDE

BOTTOM PLANKING OR BLOCKS



2" DIA. WHEELS

OUTLINE IS DOOR ON LEFT SIDE

1/8" FILLER 1/8" SQ. STRINGER CENTERED

MAKE 2 OF 1/8" SHEET

BLOCK FAIRING STAB

1/8" X 1/4" STRINGER

1/8" X 1/4" DIAGONALS

1/8" SHEET FILLERS

RUDDER OF 3/16" SHEET



1/16" PLY TAILSKID - SEW TO PLYWOOD

ALEXANDER 1931 FLYABOUT

STAND-OFF SCALE R/C BY AL WOLSKY FOR .09 TO .15 POWER 1-1/2" = 1" SCALE 56-3/4" SPAN D.J.M

0" 1" 2" 3" 4" 5" 6" 7" 8" 9" 10" 11" 12"