

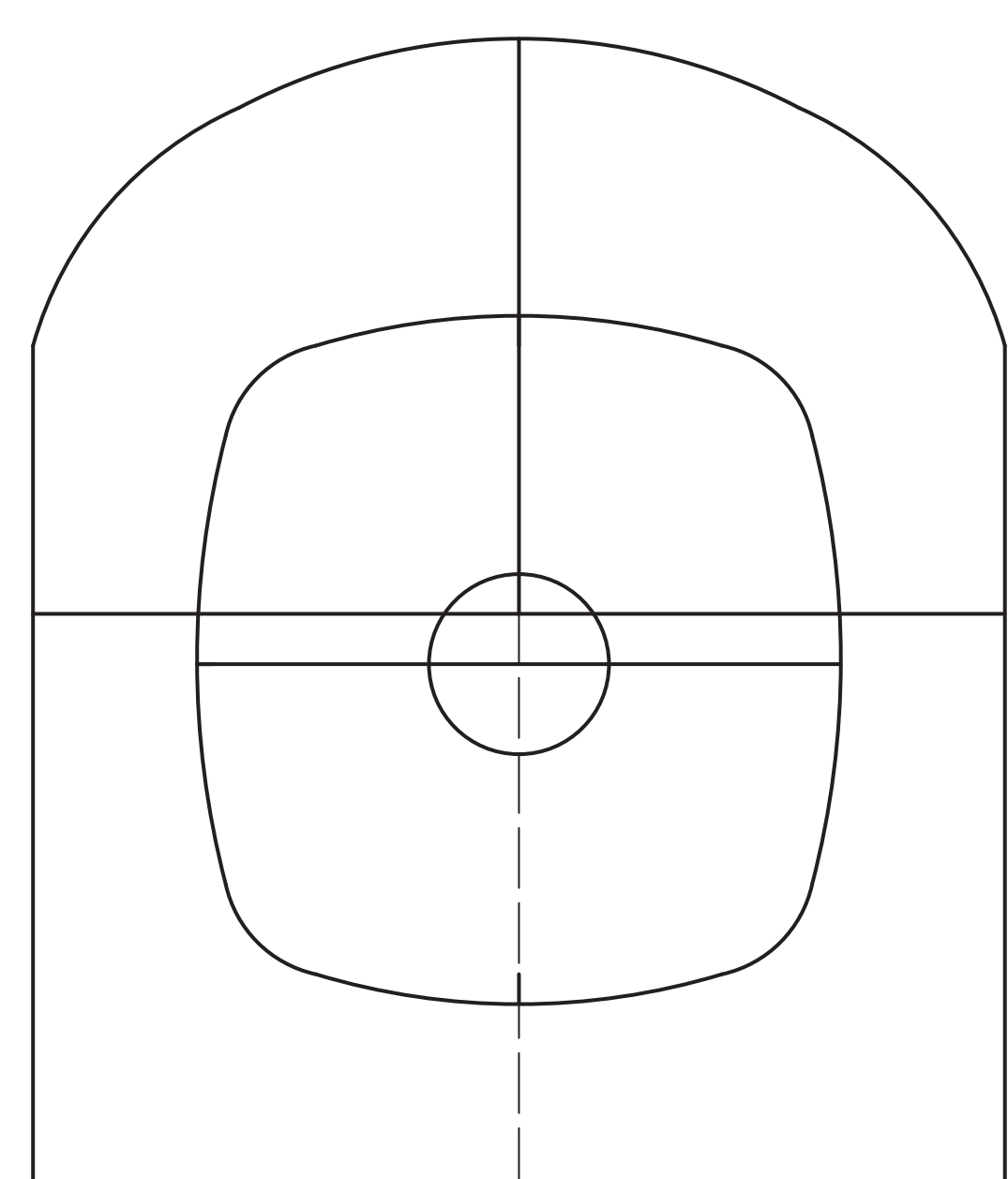
## De Marçay 2 CI

58" Wingspan  
.40-.45 engine

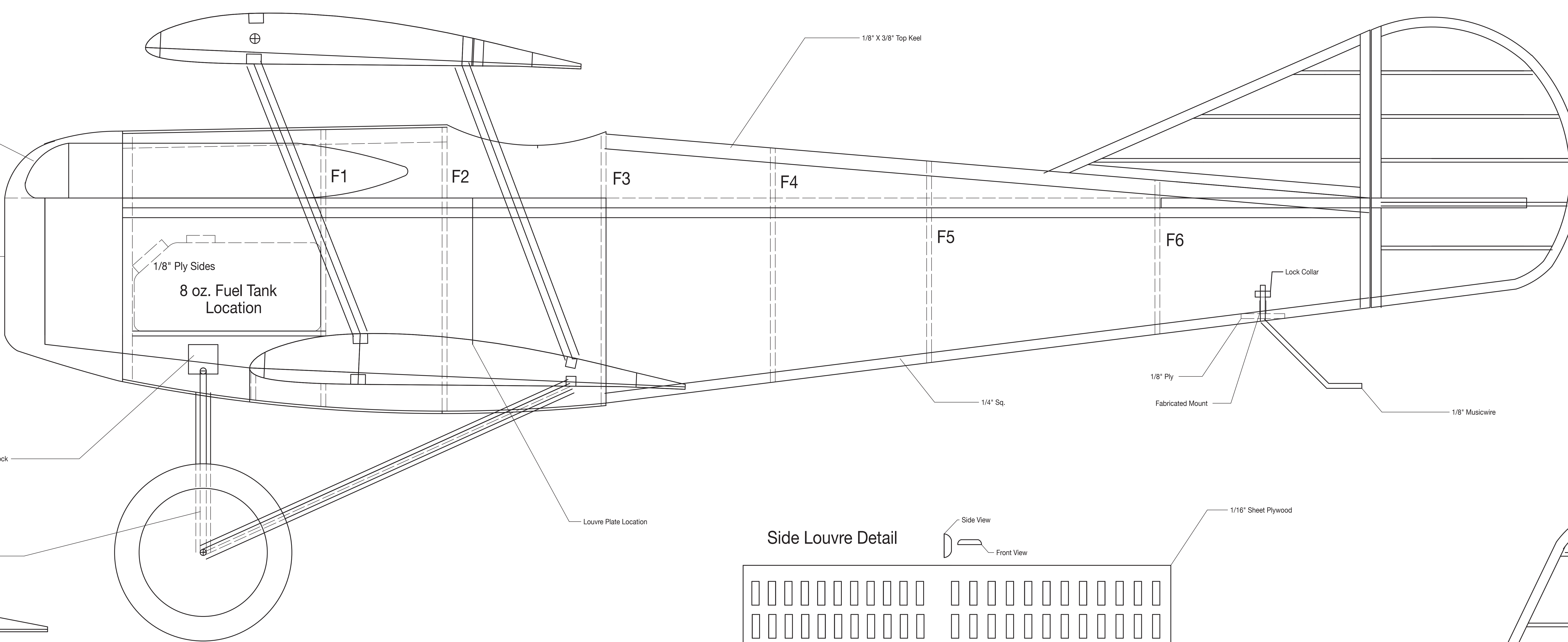
+2 1/2 Degree Incidence Top and Bottom

Cowling Made From 1/2" Sheet Balsa

0 Incidence

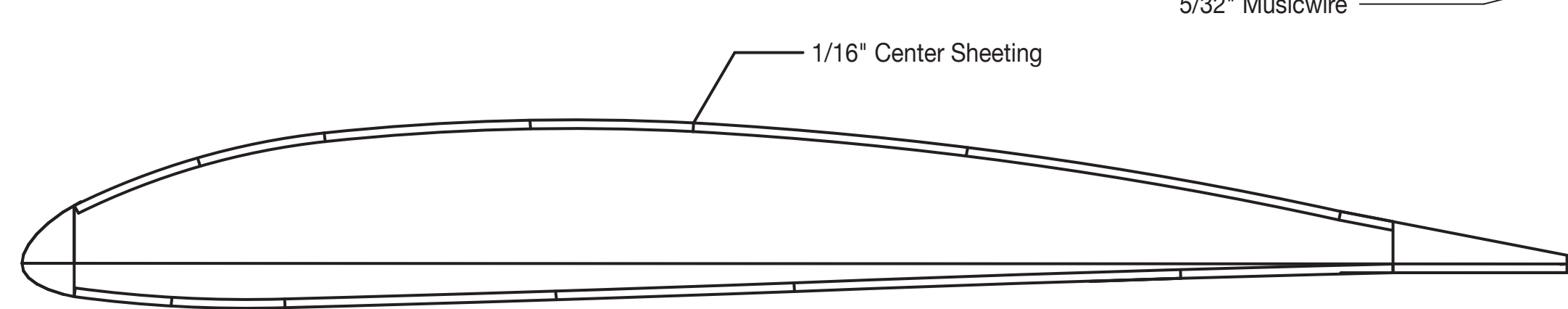


Front View



3/4" Sq. Block

5/32" Musicwire



1/16" Center Sheeting

1/8" X 3/8" Top Keel

F1

F2

F3

F4

F5

F6

1/8" Ply Sides  
8 oz. Fuel Tank Location

Lock Collar

1/8" Ply

Fabricated Mount

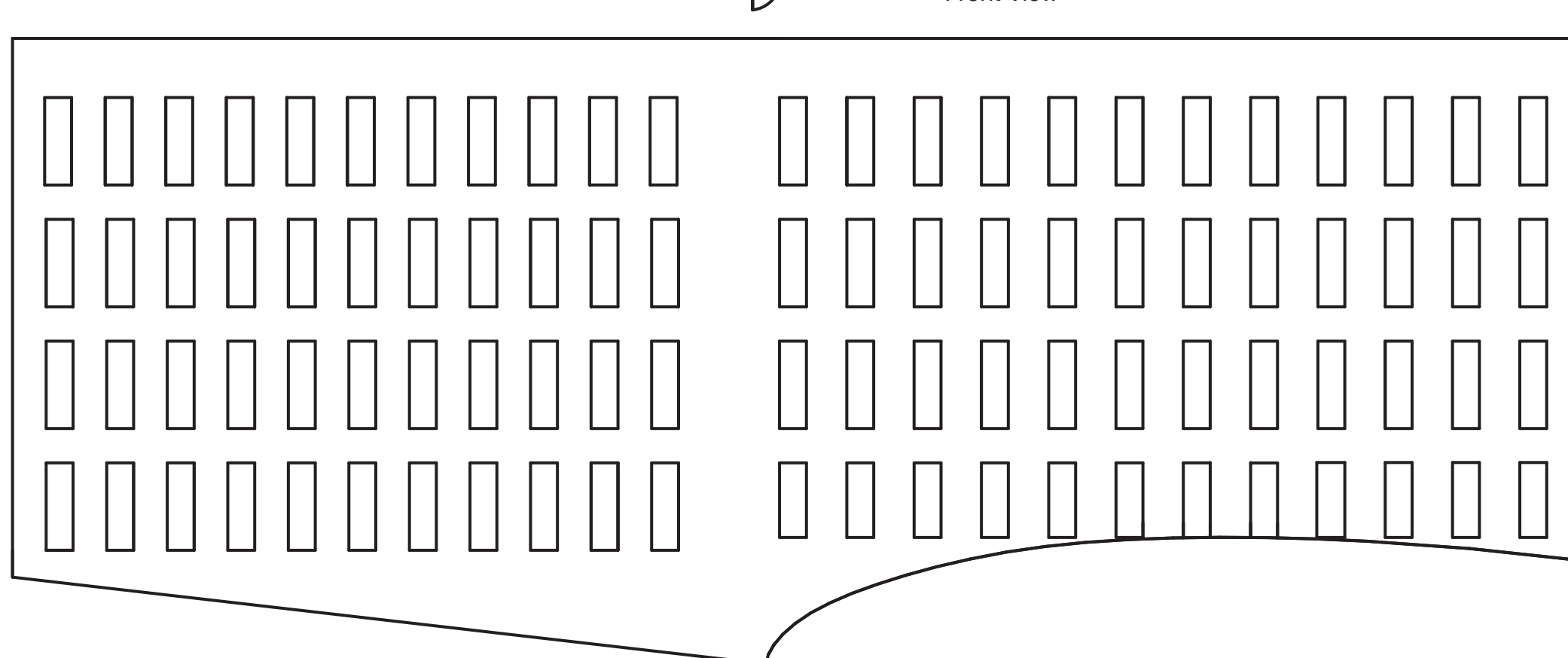
1/8" Musicwire

Louvre Plate Location

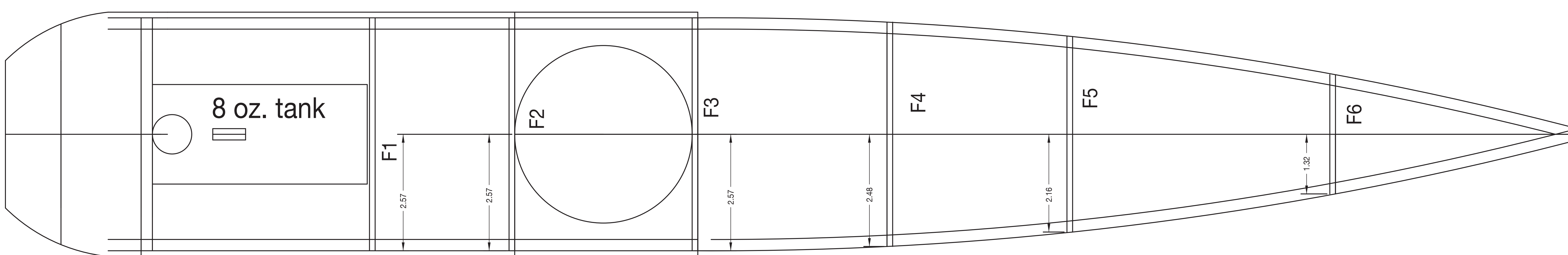
Side Louvre Detail

Side View

Front View



1/16" Sheet Plywood



8 oz. tank

F1

F2

F3

F4

F5

F6

2.97"

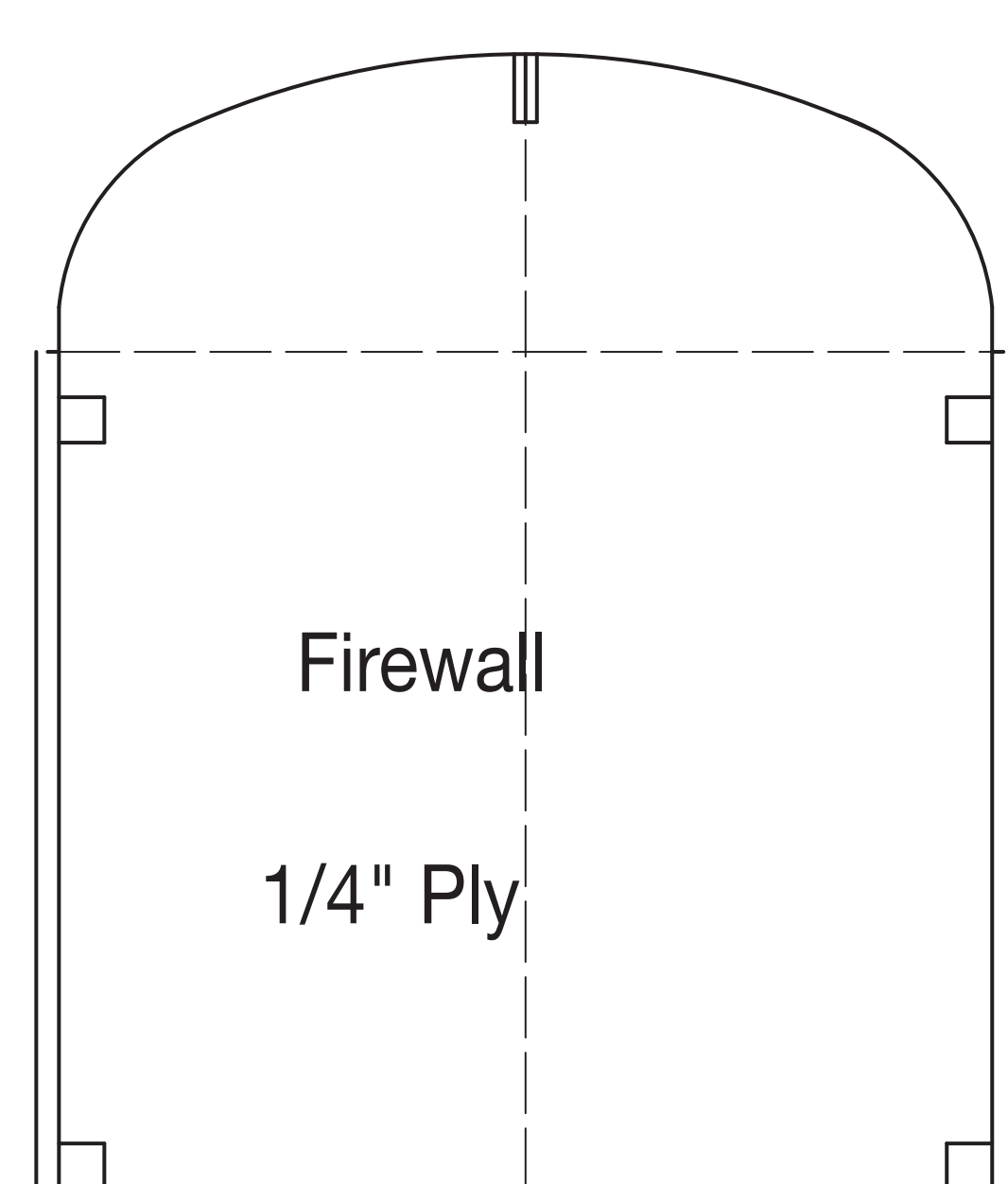
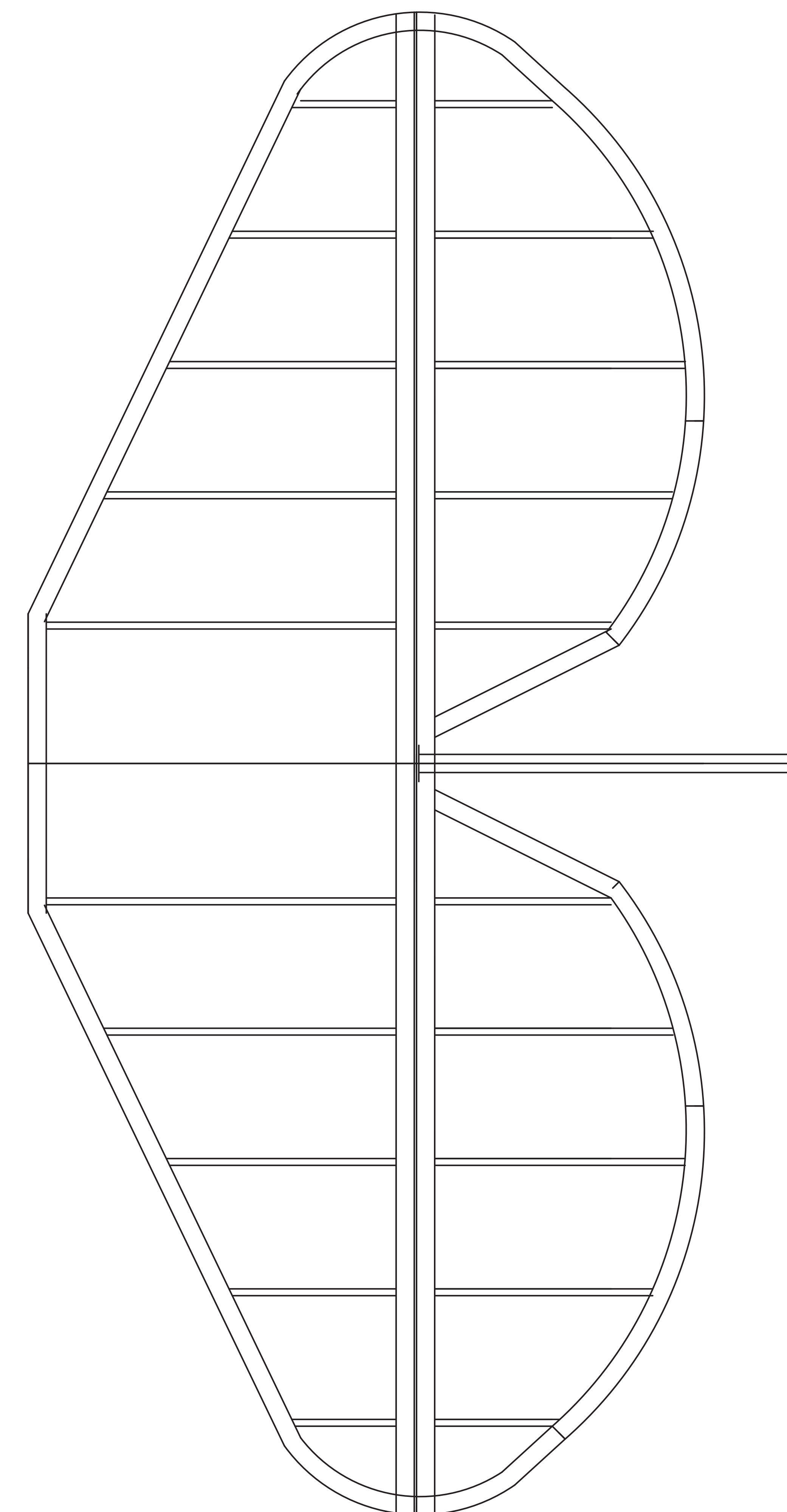
2.97"

2.97"

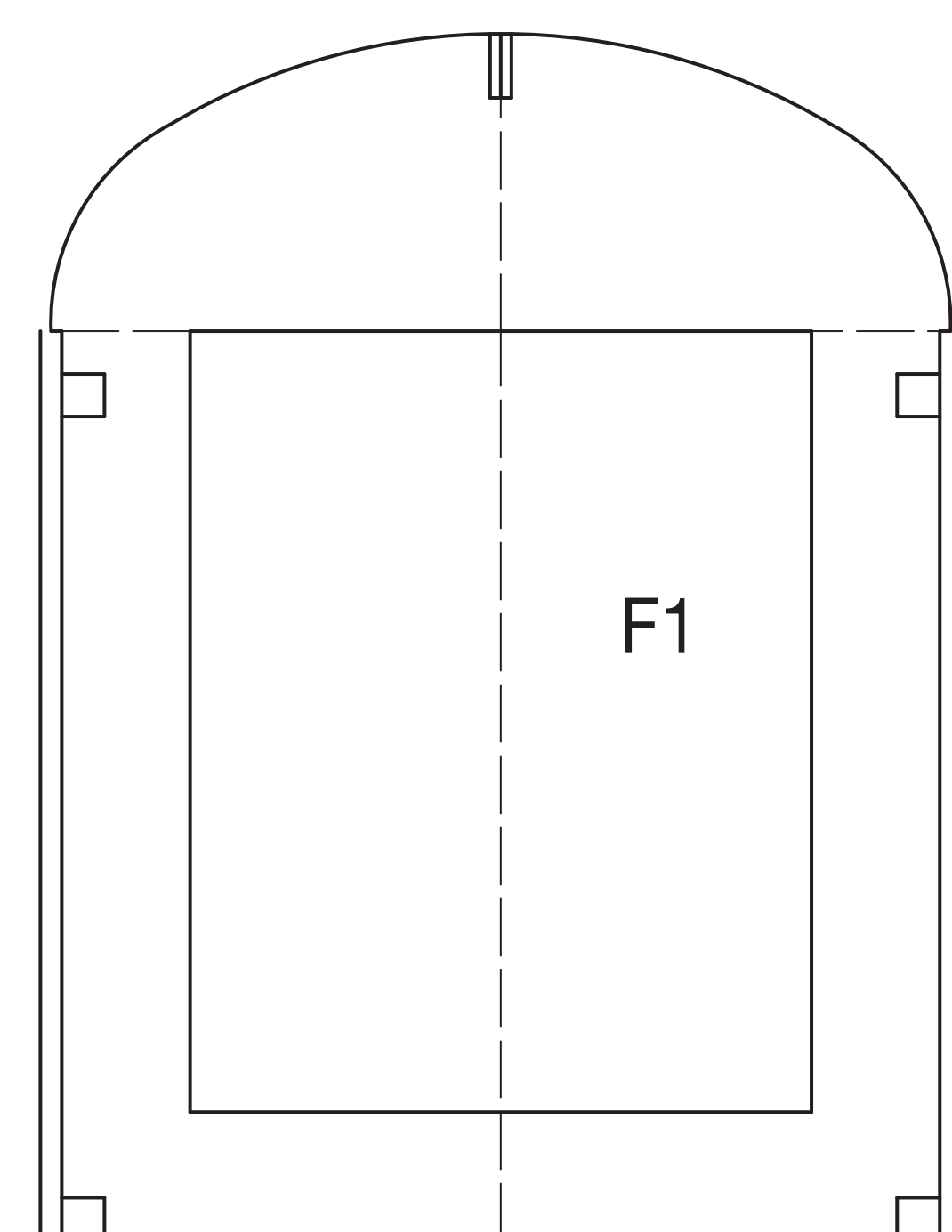
2.46"

2.16"

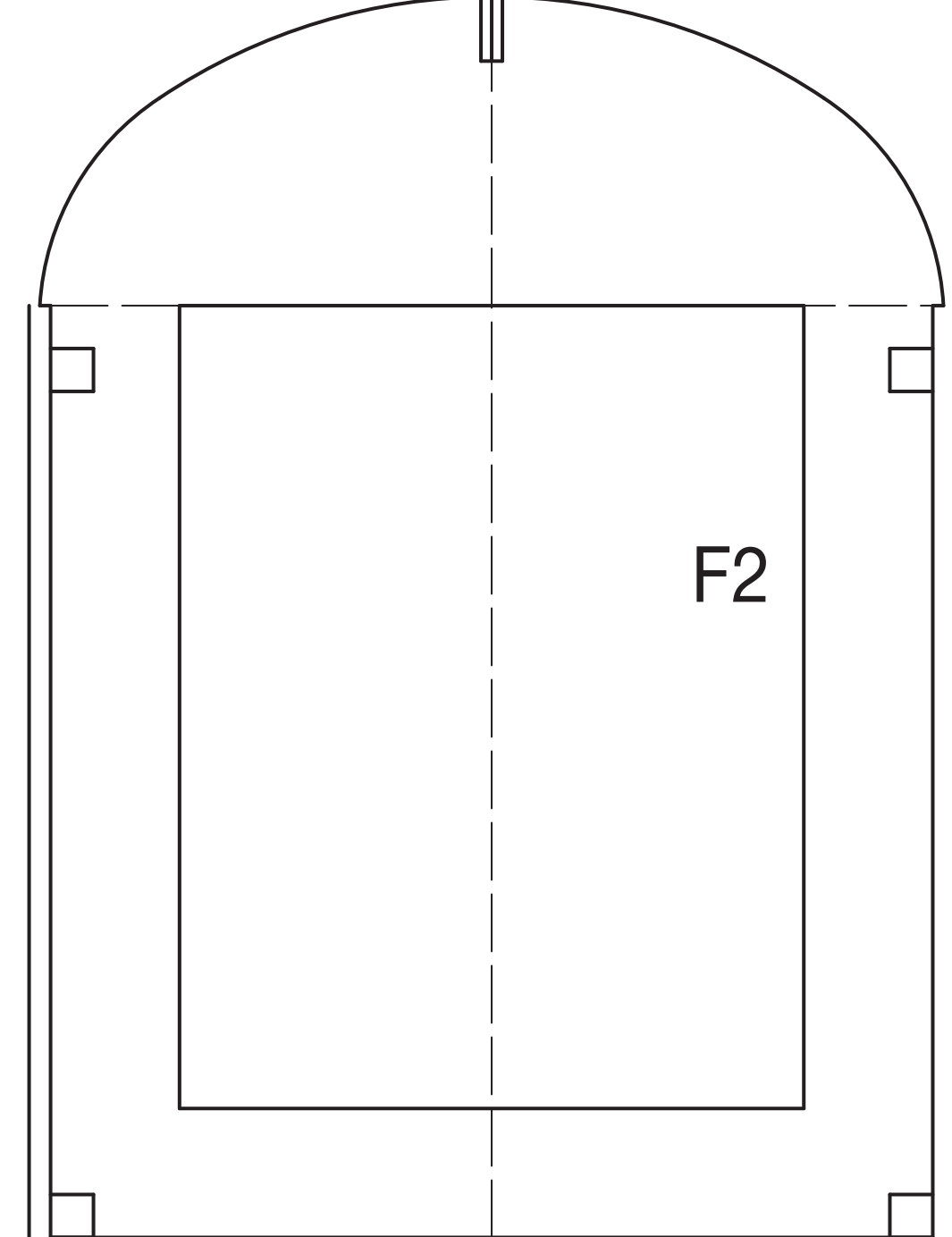
1.38"



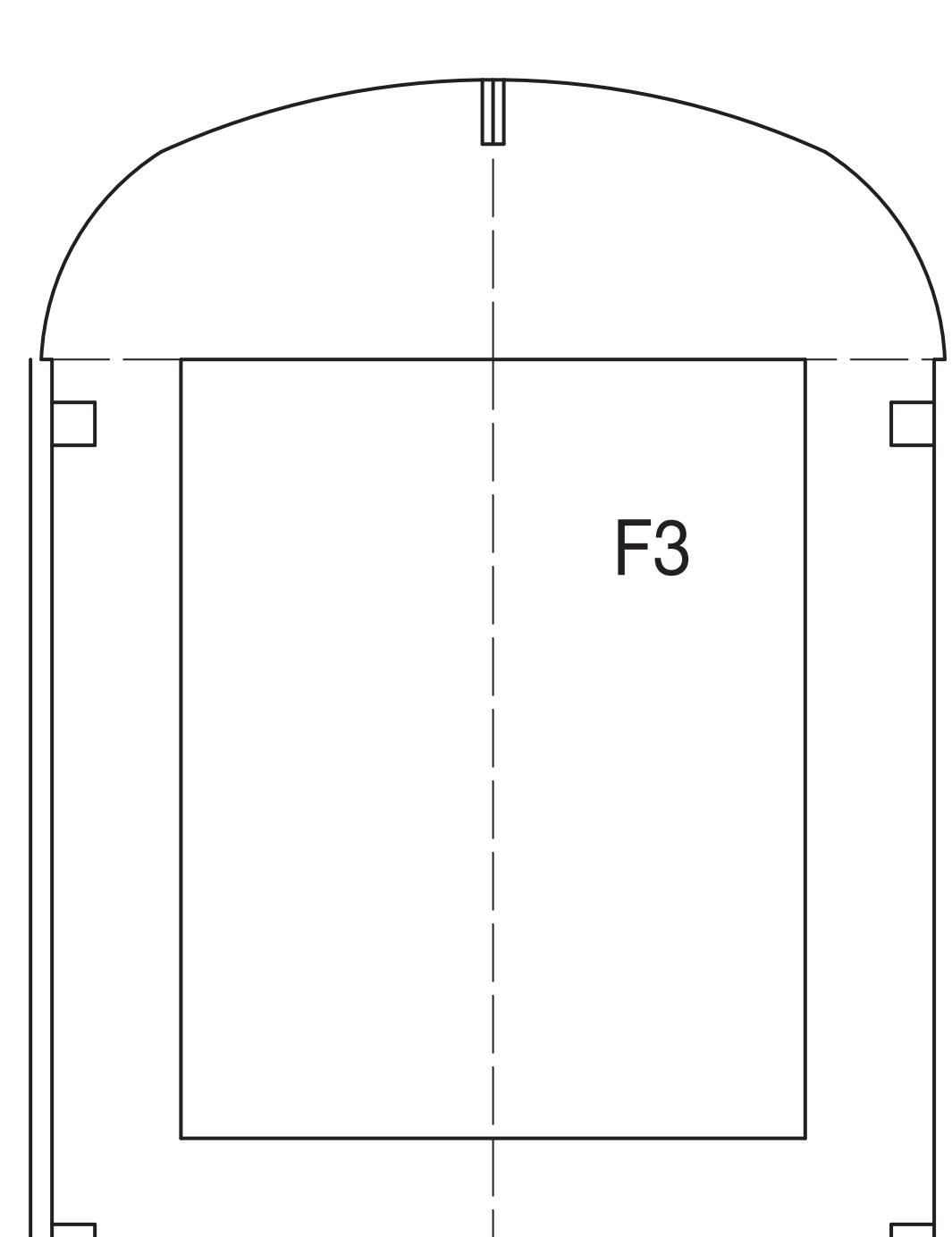
Firewall  
1/4" Ply



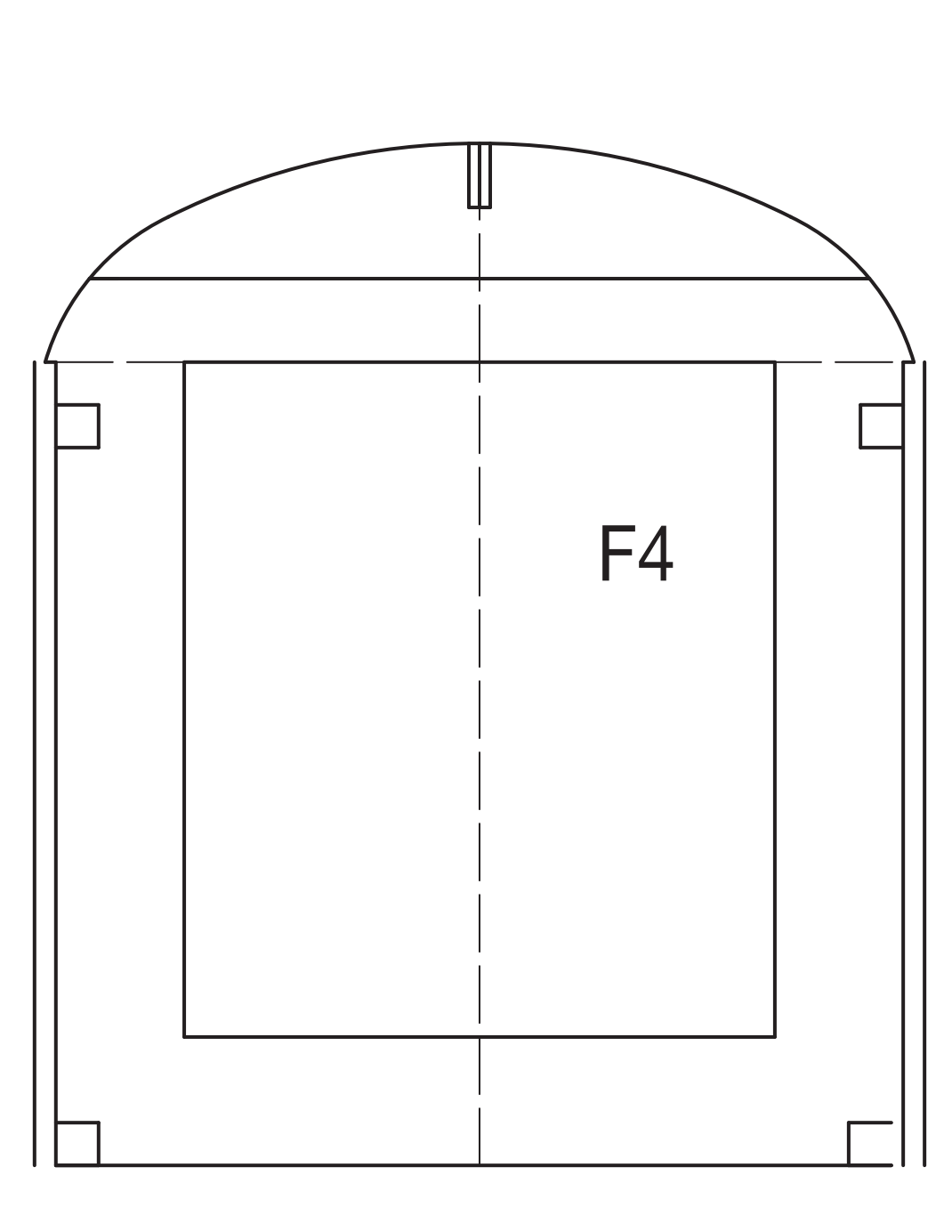
F1



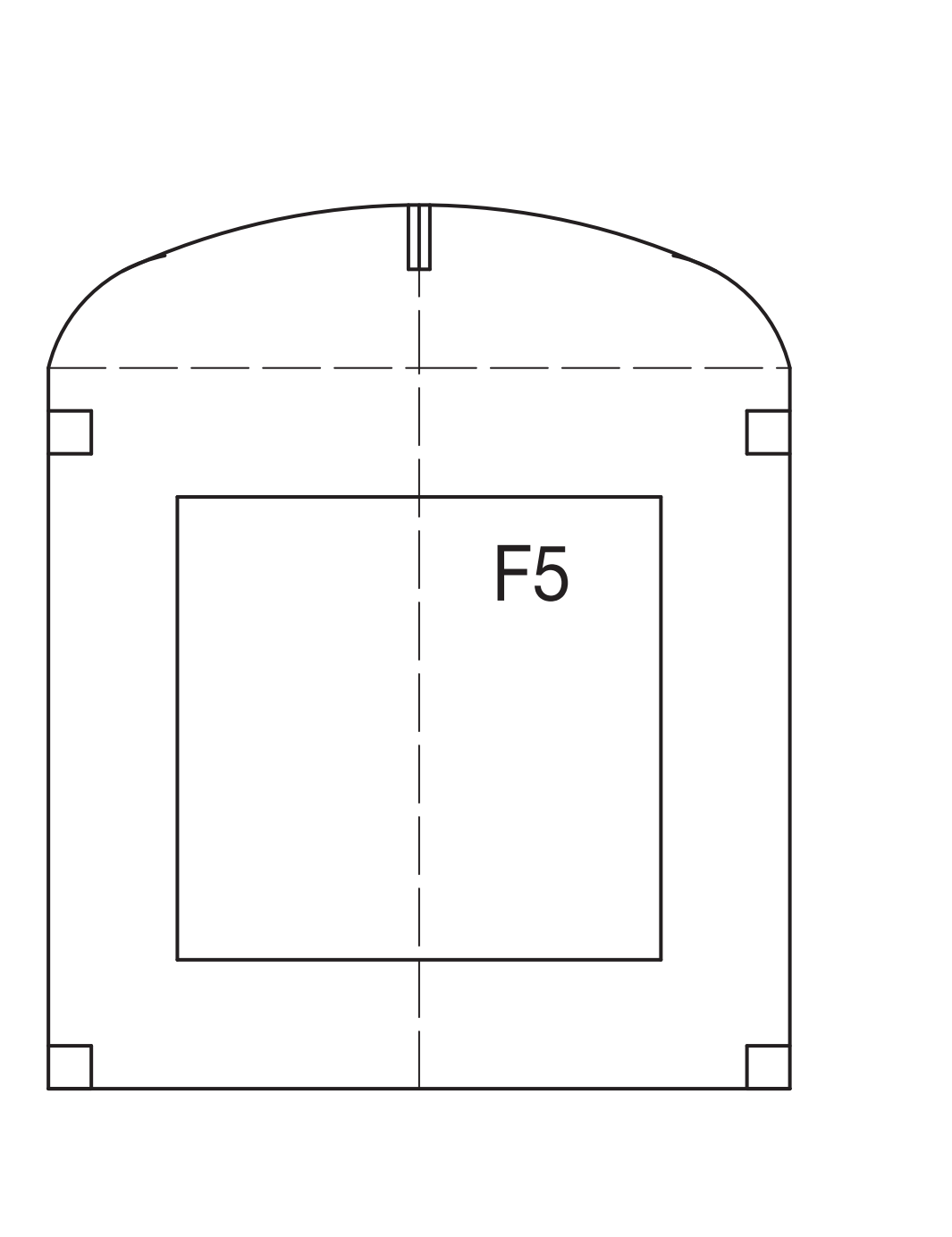
F2



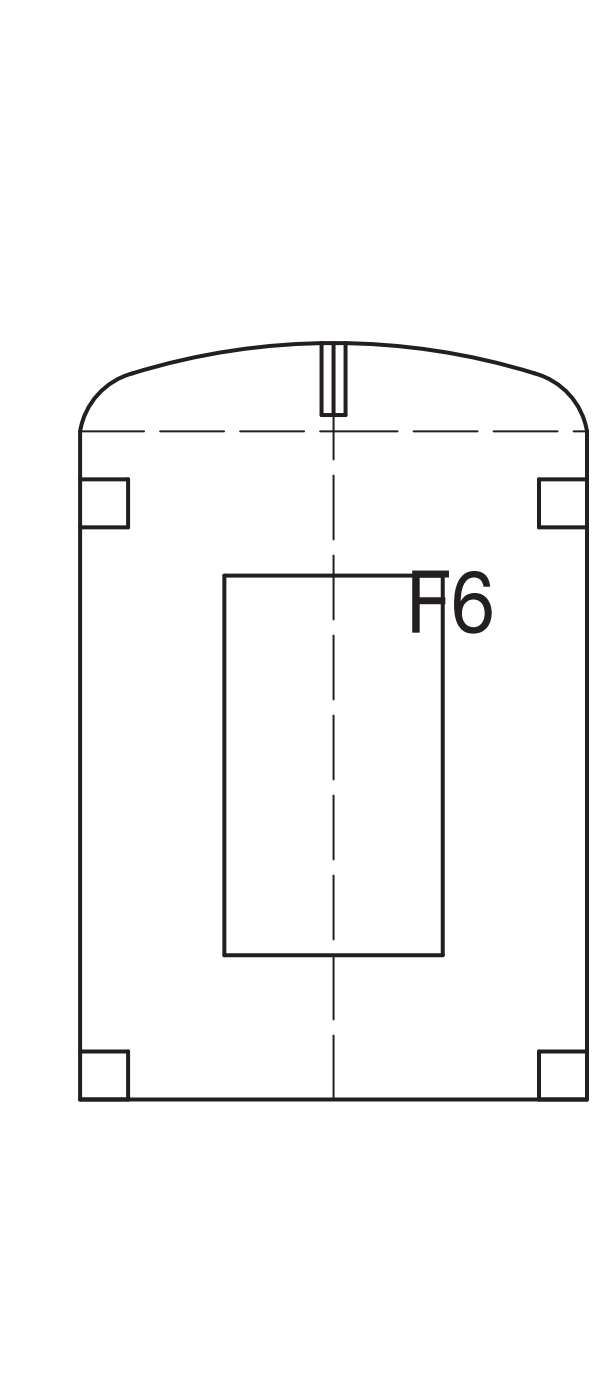
F3



F4



F5



F6