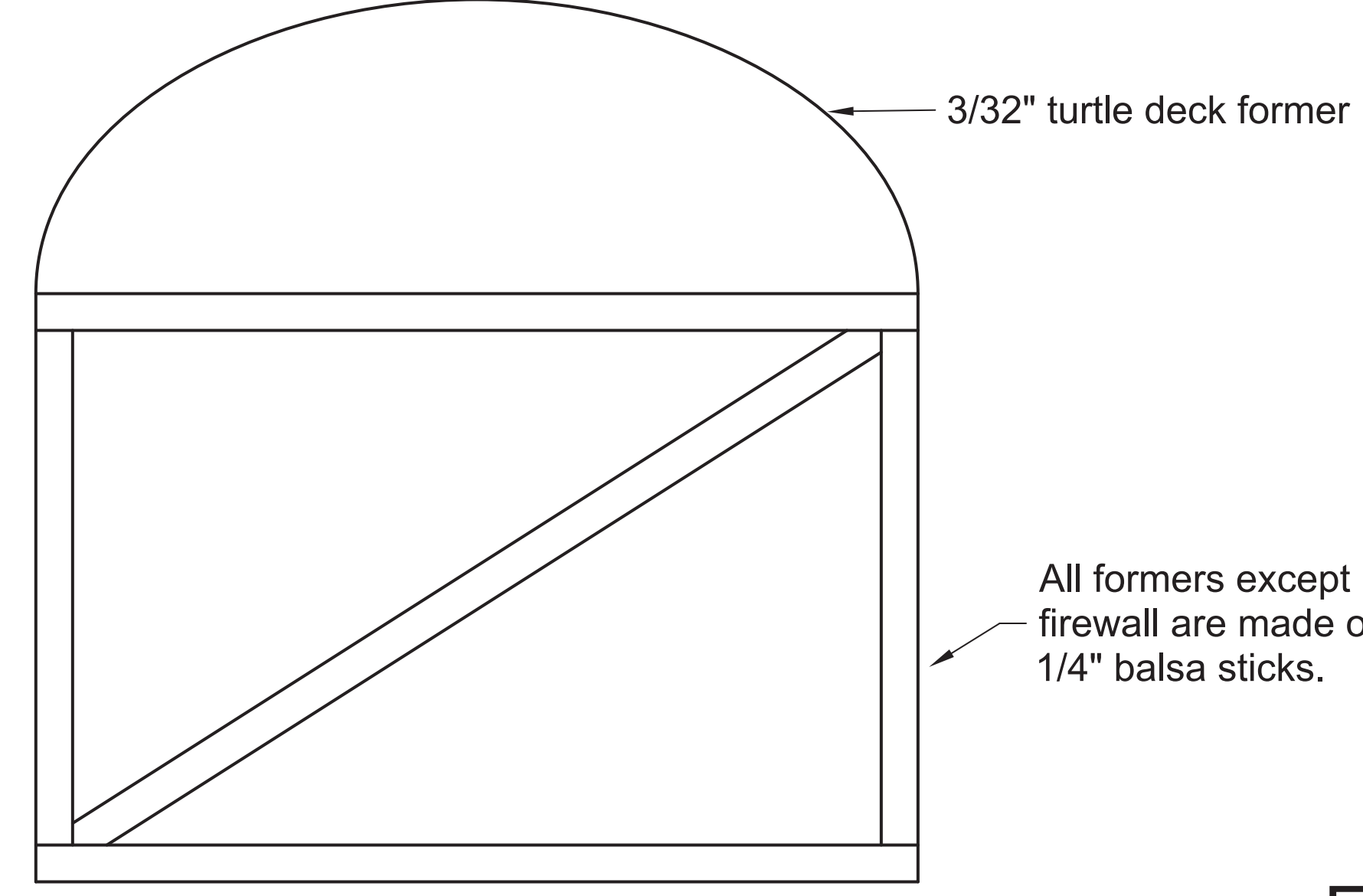
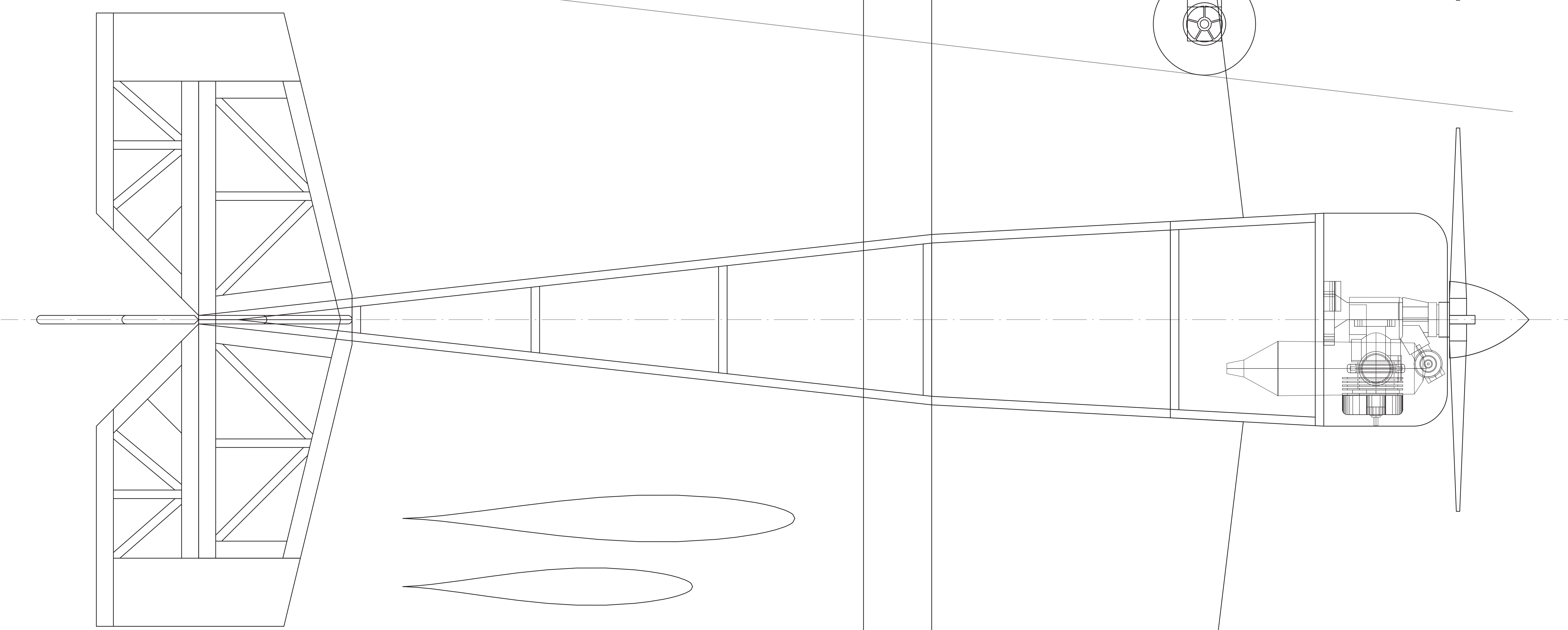
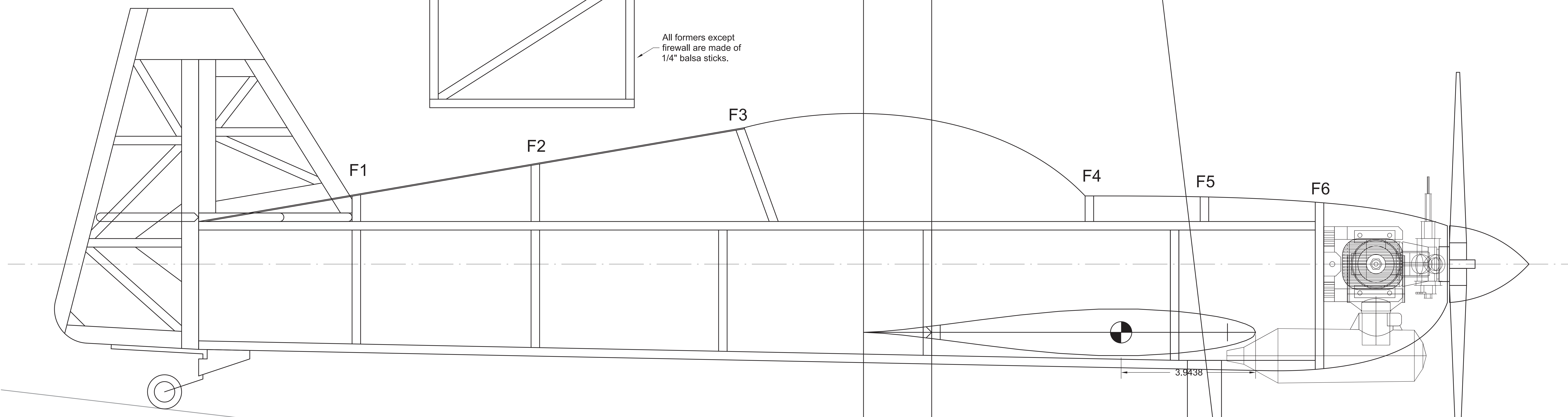


Former detail



3/32" turtle deck former

All formers except firewall are made of 1/4" balsa sticks.



**NOTES**

- The fuselage sides are 3/32" balsa with 3/32 doublers around the wing and to the firewall.
- The turtle decks are sheeted with thin balsa (1/32"-1/16").
- The wing is foam core, sheeted with 1/16" balsa and fiberglassed center section.
- Cowl and canopy you'll have to make yourself or adapt from existing pieces.
- Max control surface movement: 45° (For 3D maneuvering)
- Rec aerobatic surface movement: 25° to 30°
- C.G. can be moved back another 1/2" but beware!

Specifications

- Wingspan: 50"
- Wing are: 500 sq. in.
- Length: 44"
- Weight: 4 - 5 lb.
- Wing loading: 18.4 - 23 oz./sq. ft.
- Number of channels: 4 (5 w. flaperons)
- Rec. Engines: .40 - .46 ci.

THE  
**BGiles**

Designed and Drawn by  
**Erez Raviv**

Questions and comments welcomed at:  
erezraviv@hotmail.com  
@1999