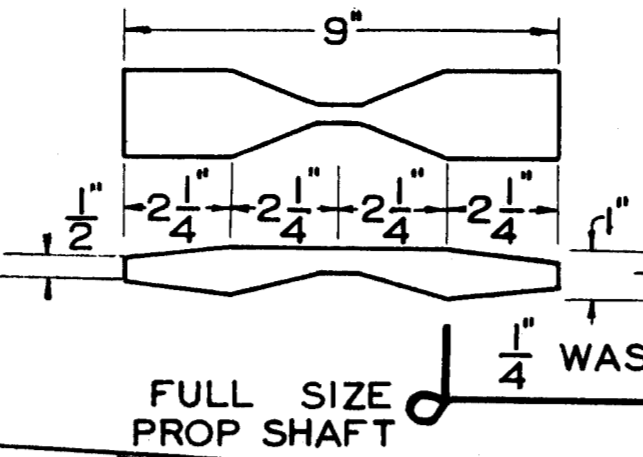


ENGINE DETAIL

TIP RIB

FULL SIZE RIB SHAPE

FULL SIZE FUSELAGE FORMERS



CARVE PROP FROM 1x1 3/4 x 9" BLOCK  
SLIGHT UNDERCAMBER-GARAMI FREEWHEELING

CUT RUDDER OUTLINE FROM 1/8" SHEET

GAS GAUGE

WING HOOK

WING HOOK

FULL SIZE PROP SHAFT 1/4" WASHER SOLDERED TO SHAFT

1/16 x 1/8"

AIR INTAKE TUBE

SHAFT EXTENSION "B" WASHER

.000" WIRE STAPLES

ALL LONGERONS ARE HARD 1/8" SQUARE

.049" WIRE TAILSKID

2" DIHEDRAL IN EACH WING PANEL

WING HOOK

STAPLE

STOP "A" STAPLE

3 LOOPS IN TENSIONER SPRING

RUBBER TENSIONER DETAIL

FULL SIZE LANDING GEAR STRUT

DETAIL OF STAPLES FOR ANCHORING TUBING TO FUSELAGE

LANDING GEAR DETAIL

RUBBER FOR SHOCK ABSORBING ACTION

RUBBER BAND

1/2" BALLOON TYPE WHEELS

SOLDER OR CEMENT WELL AT THIS JUNCTION

3/32 x 1/2"

WI

1/8" SQ.