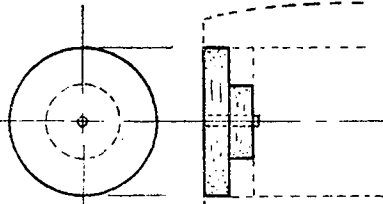
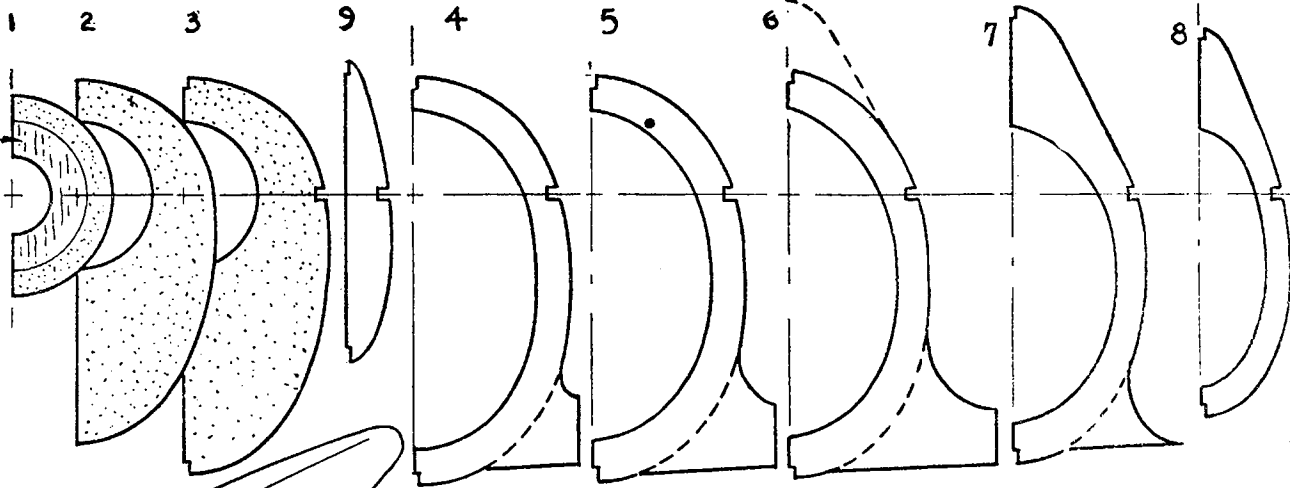


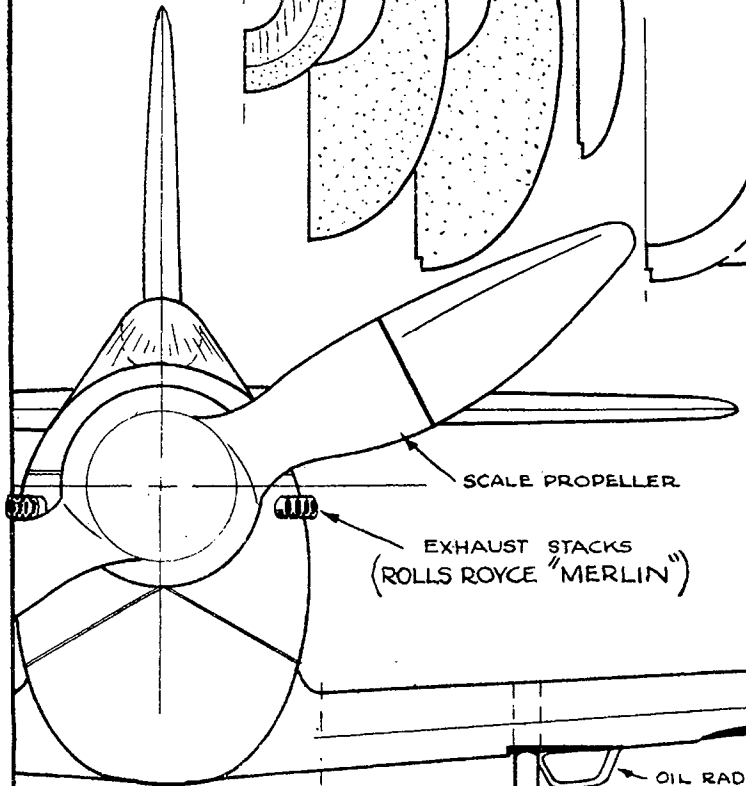
$\frac{3}{8}$ " DISC



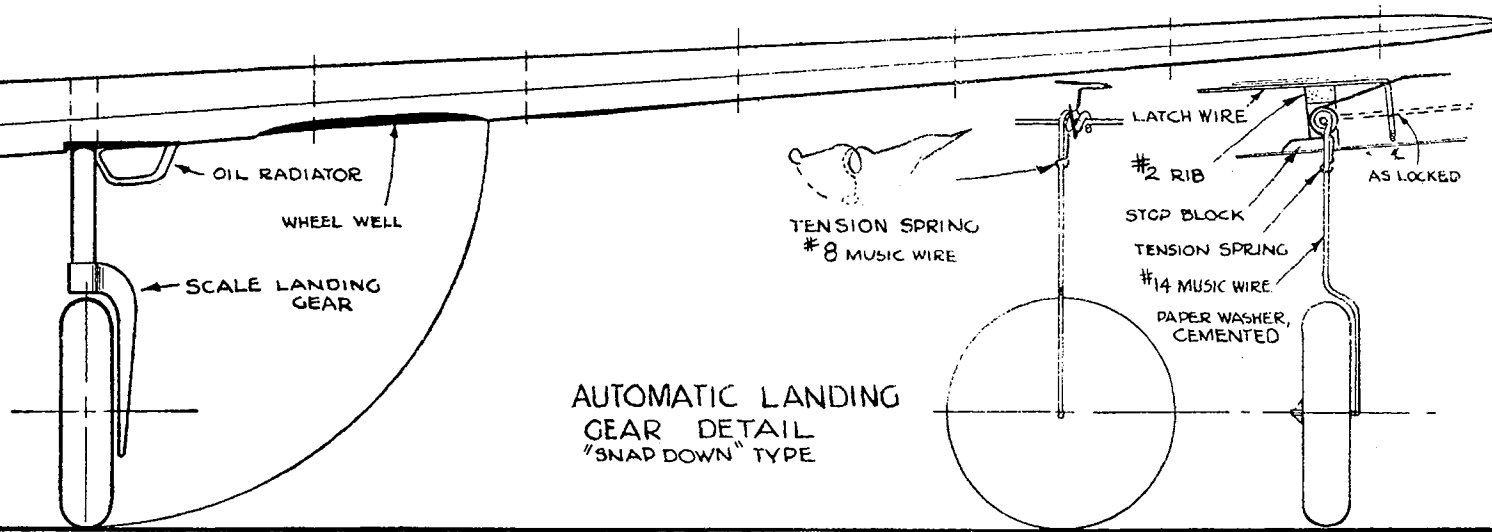
NOSE PLUG DETAIL
SECTIONS & FORMERS

AIR TRAILS
 FLYING SCALE MODEL
of the
 SUPERMARINE "SPITFIRE I"
 BRITISH FIGHTER
 MODEL SCALE - APPROX. $\frac{1}{2}$ " = 1'-0"

DIHEDRAL ANGLE
 $\frac{1}{2}$ " INCH OR MORE

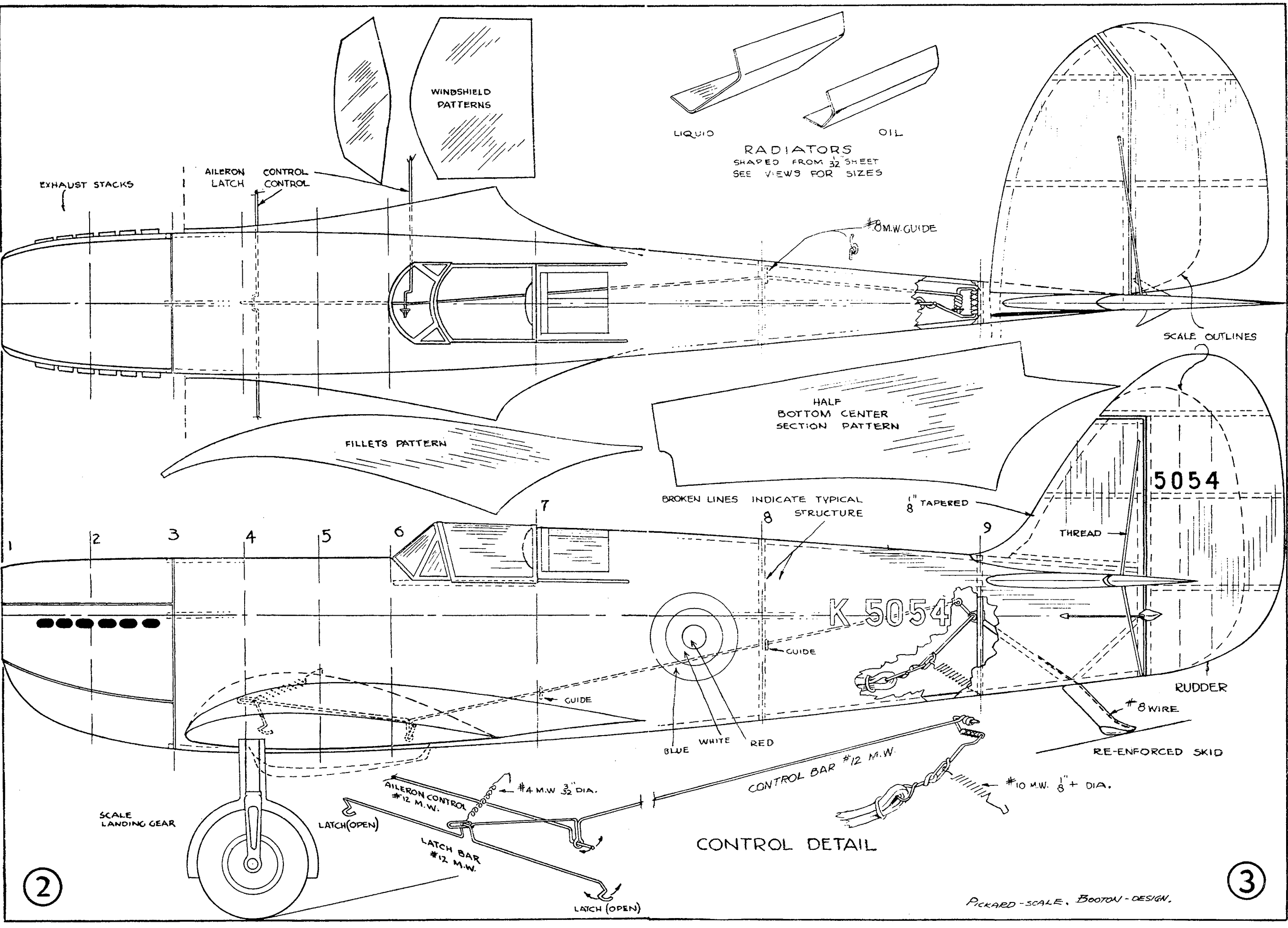


FRONT



AUTOMATIC LANDING GEAR DETAIL
"SNAP DOWN" TYPE

1



WINDSHIELD PATTERNS

RADIATORS
SHAPED FROM 32 SHEET
SEE VIEWS FOR SIZES

SCALE OUTLINES

HALF
BOTTOM CENTER
SECTION PATTERN

5054

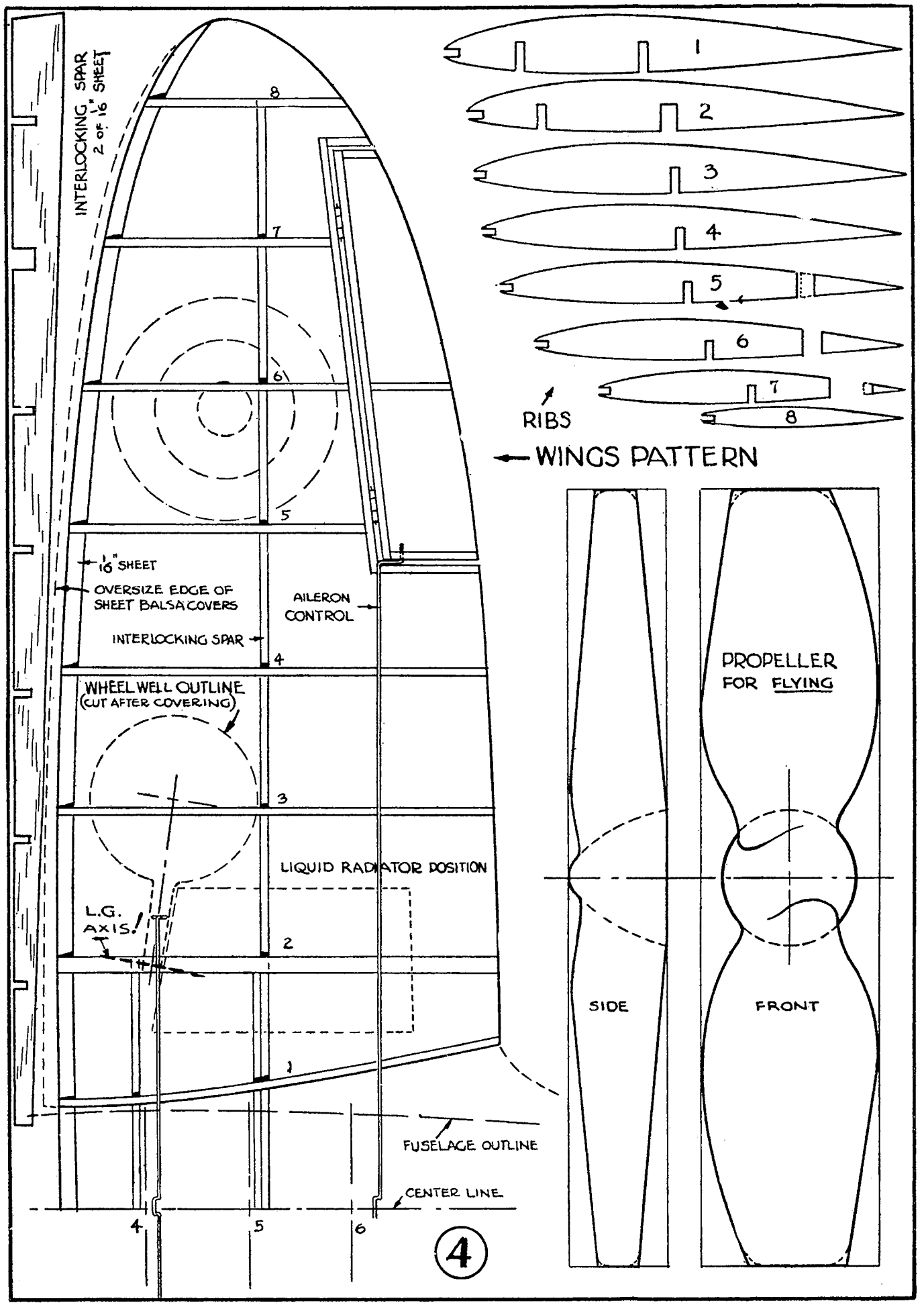
K 5054

CONTROL DETAIL

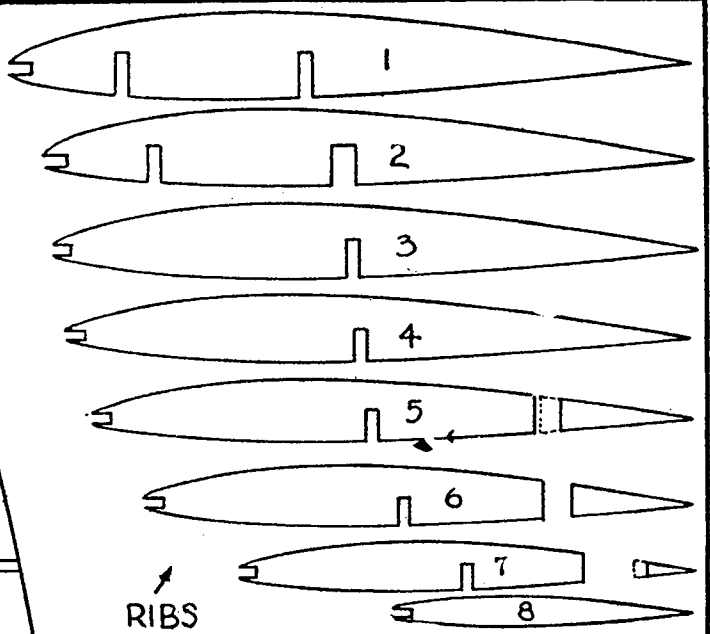
PICKARD-SCALE, BOOTON-DESIGN.

2

3



INTERLOCKING SPAR
2 of 1/6 SHEET



RIBS

← WINGS PATTERN

1/6 SHEET

OVERSIZE EDGE OF SHEET Balsa COVERS

AILERON CONTROL

INTERLOCKING SPAR

WHEEL WELL OUTLINE
(CUT AFTER COVERING)

LIQUID RADIATOR POSITION

L.G. AXIS

PROPELLER FOR FLYING

SIDE

FRONT

FUSELAGE OUTLINE

CENTER LINE

4