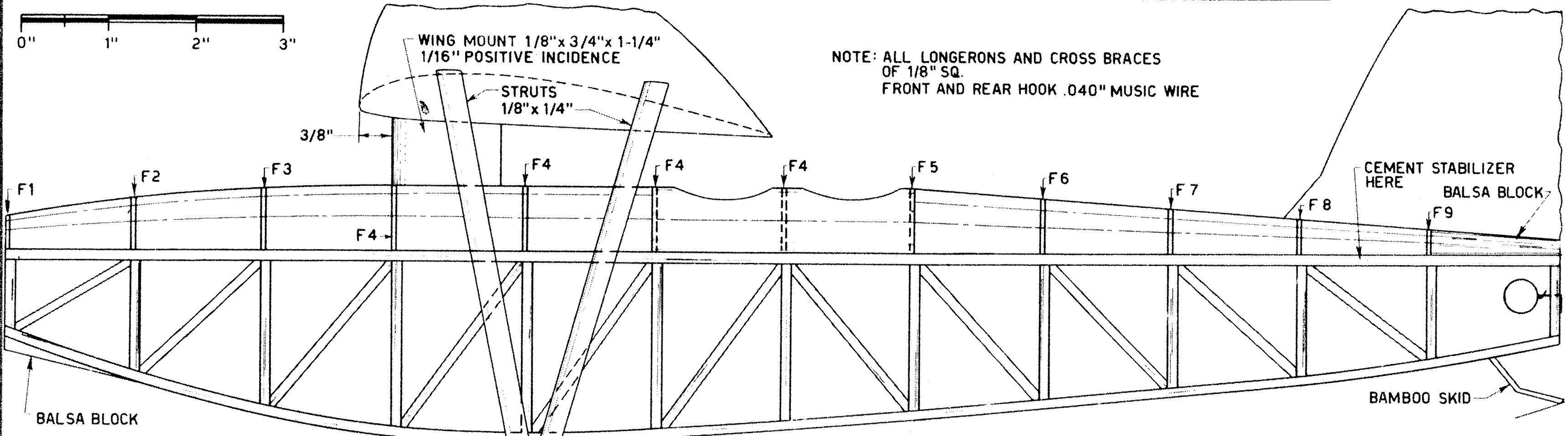


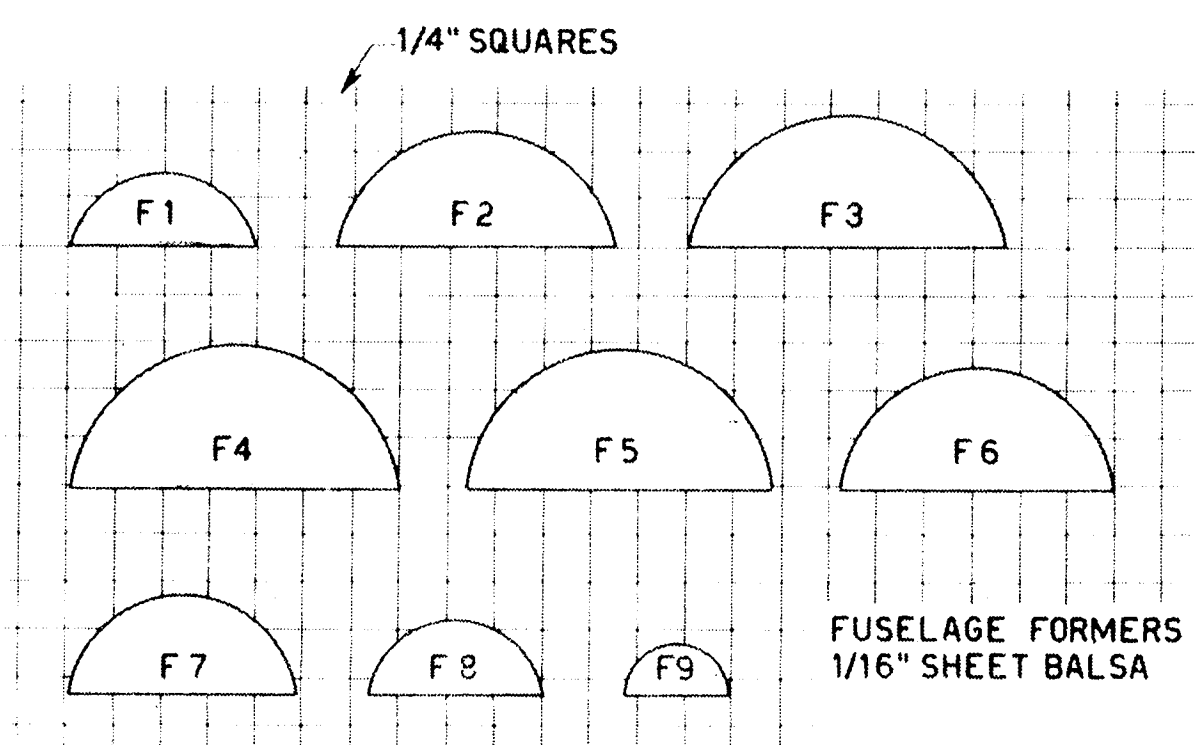
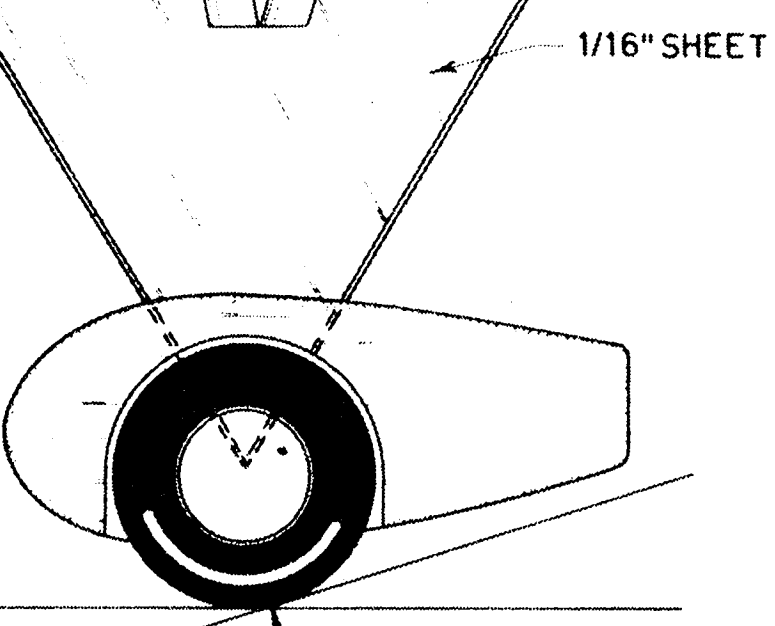
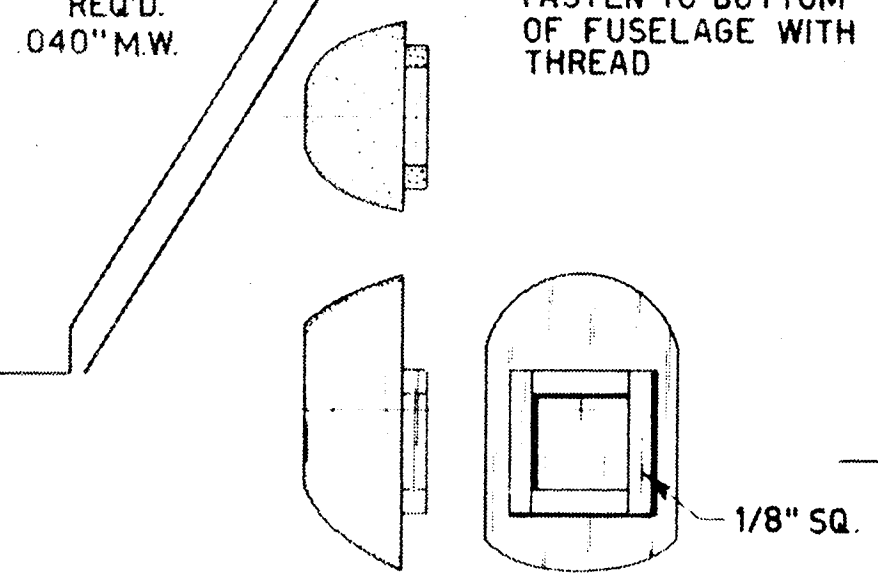


NOTE: ALL LONGERONS AND CROSS BRACES OF 1/8" SQ. FRONT AND REAR HOOK .040" MUSIC WIRE

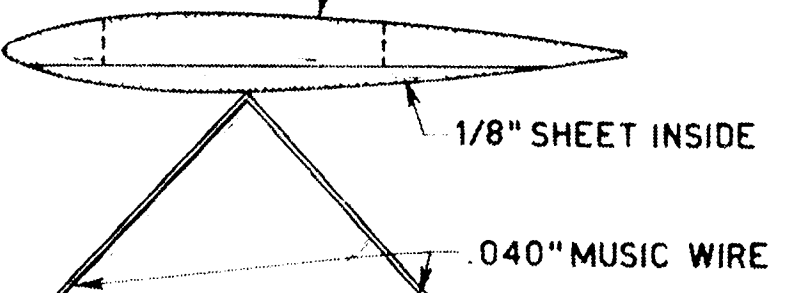


BEND L.G. AS SHOWN 1 OF EACH REQ'D. .040" M.W.

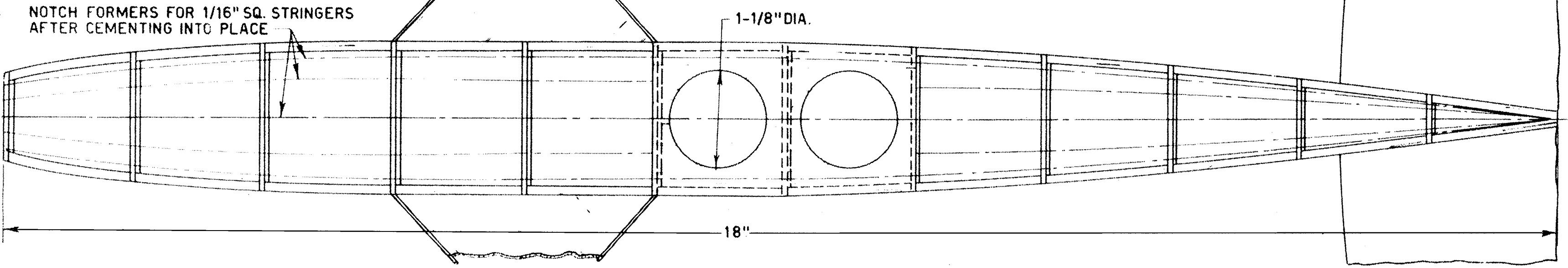
FASTEN TO BOTTOM OF FUSELAGE WITH THREAD

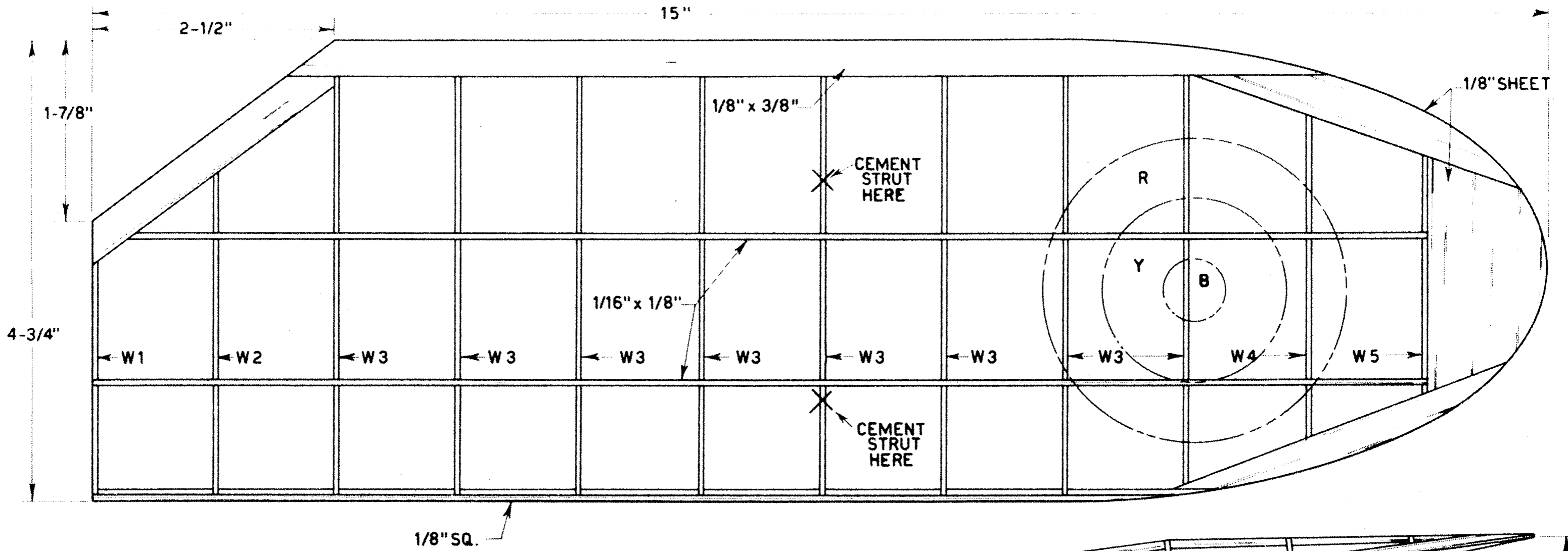


NOSE BLOCK OF 1/2"x 1"x 1-3/4" BALSA



NOTCH FORMERS FOR 1/16" SQ. STRINGERS AFTER CEMENTING INTO PLACE





ALL RIBS 1/16" SHEET
RIBS SET 1-1/4" APART

