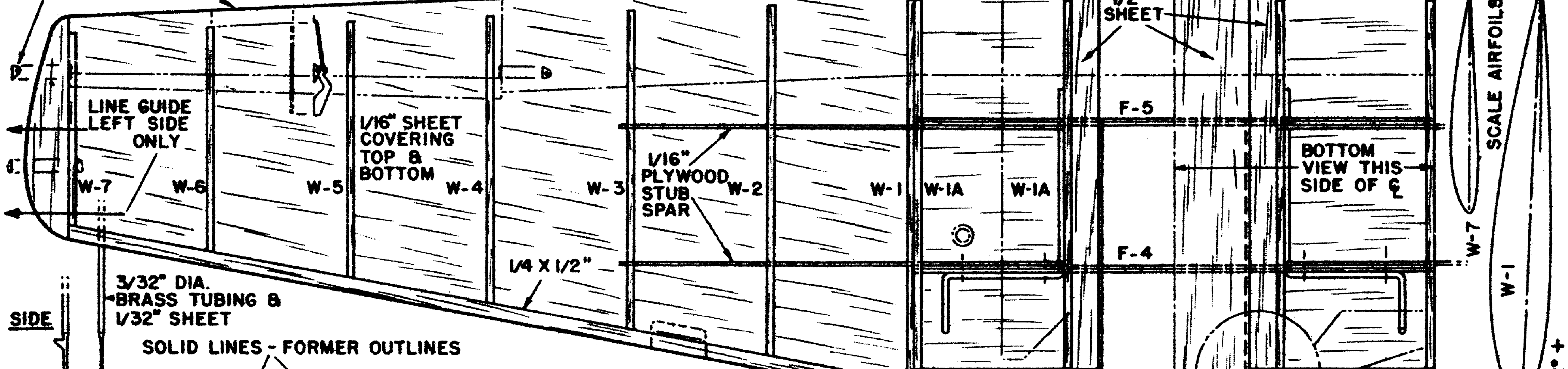
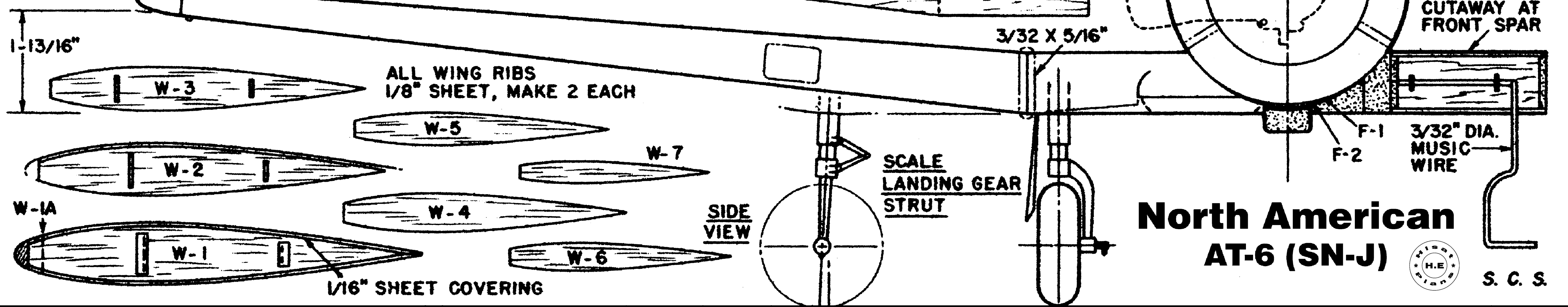
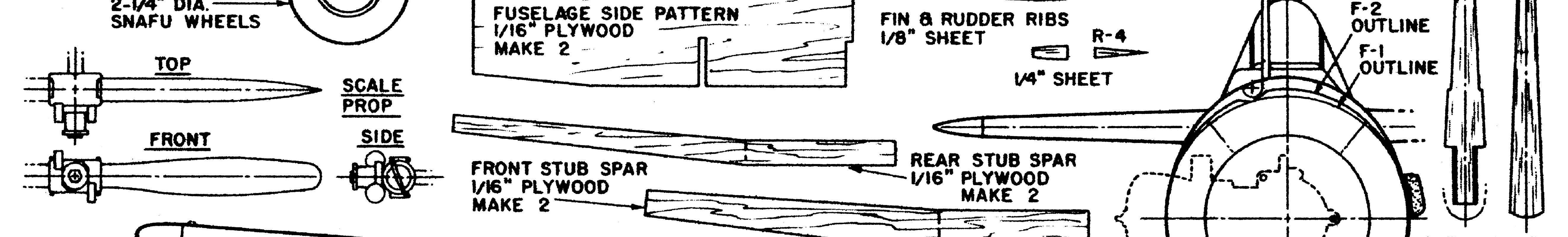
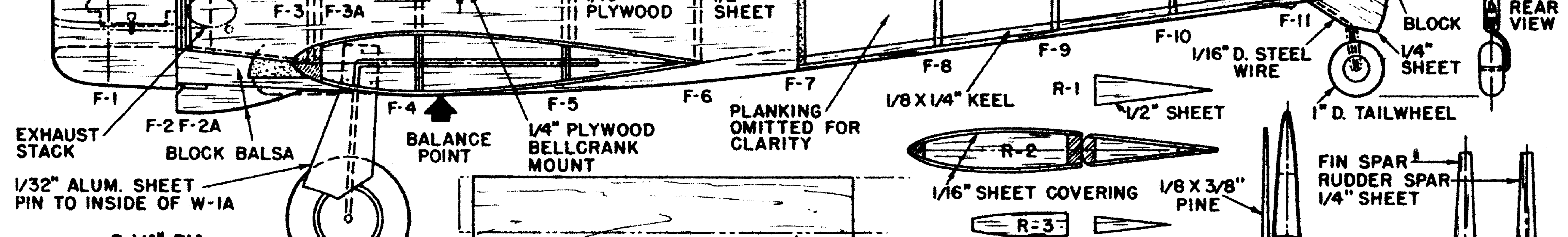
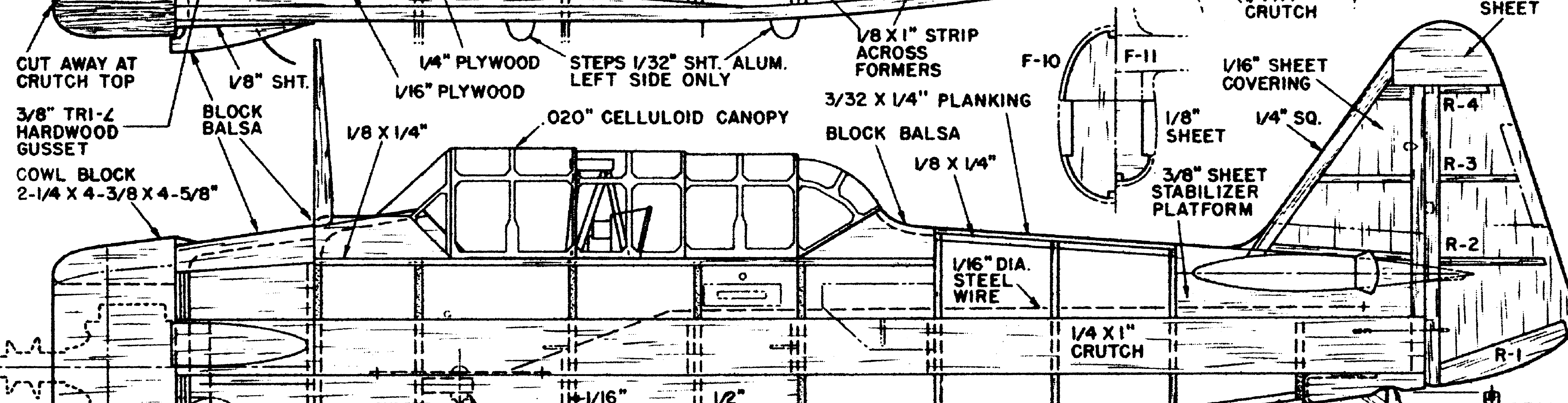
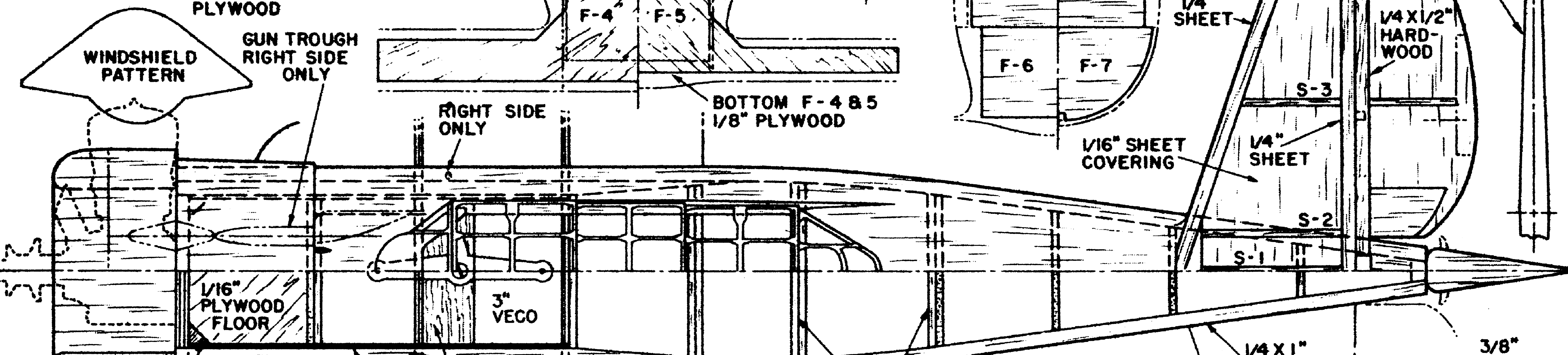
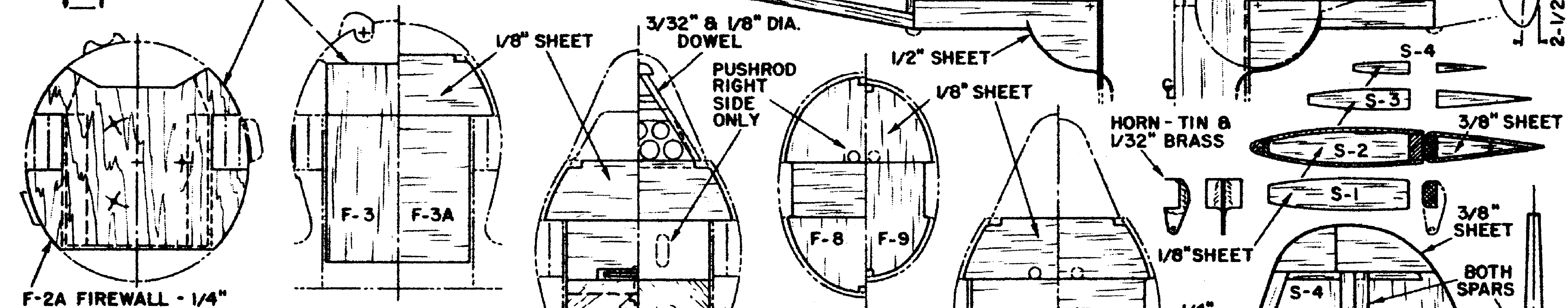


MAKE AILERON HINGES & HORNS OF 1/32" ALUM. SHEET



3/32" DIA. BRASS TUBING & 1/32" SHEET

SOLID LINES - FORMER OUTLINES



North American AT-6 (SN-J)

