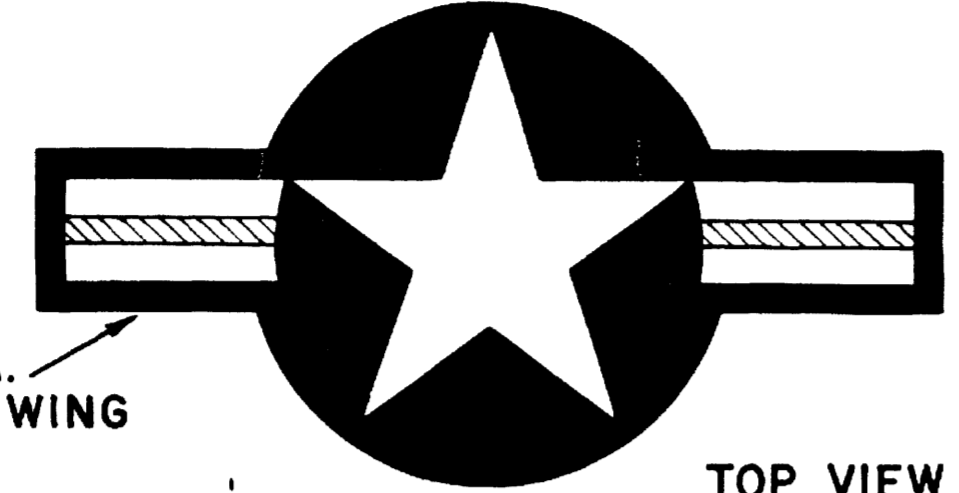
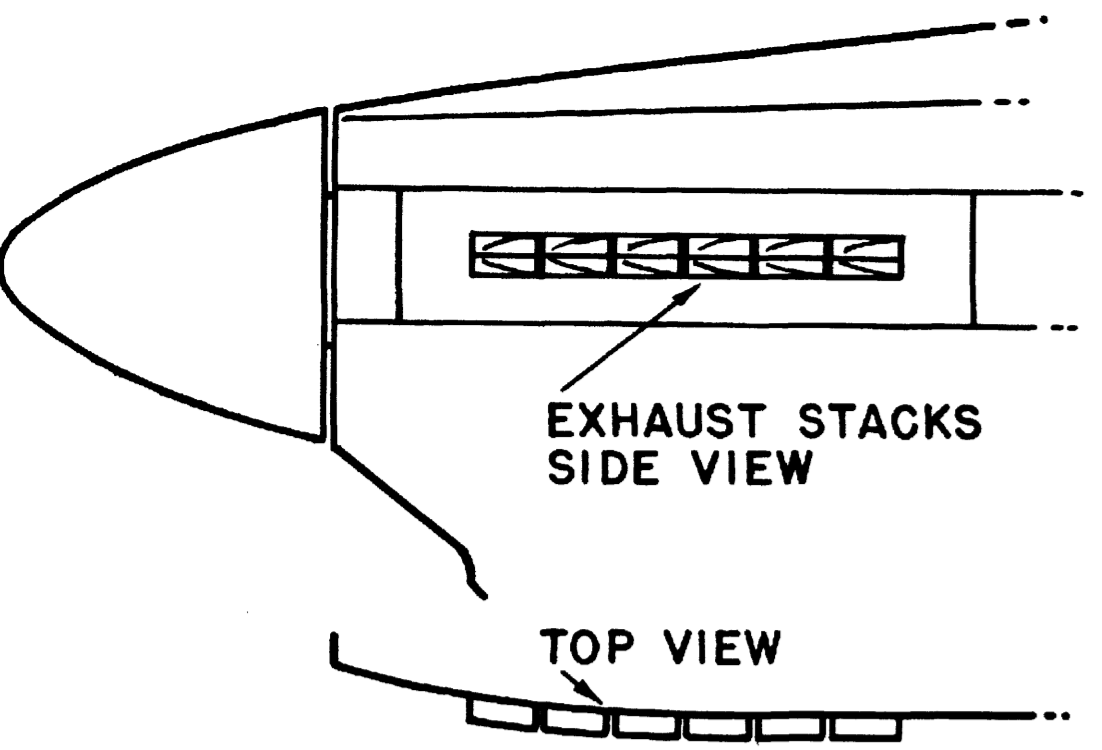
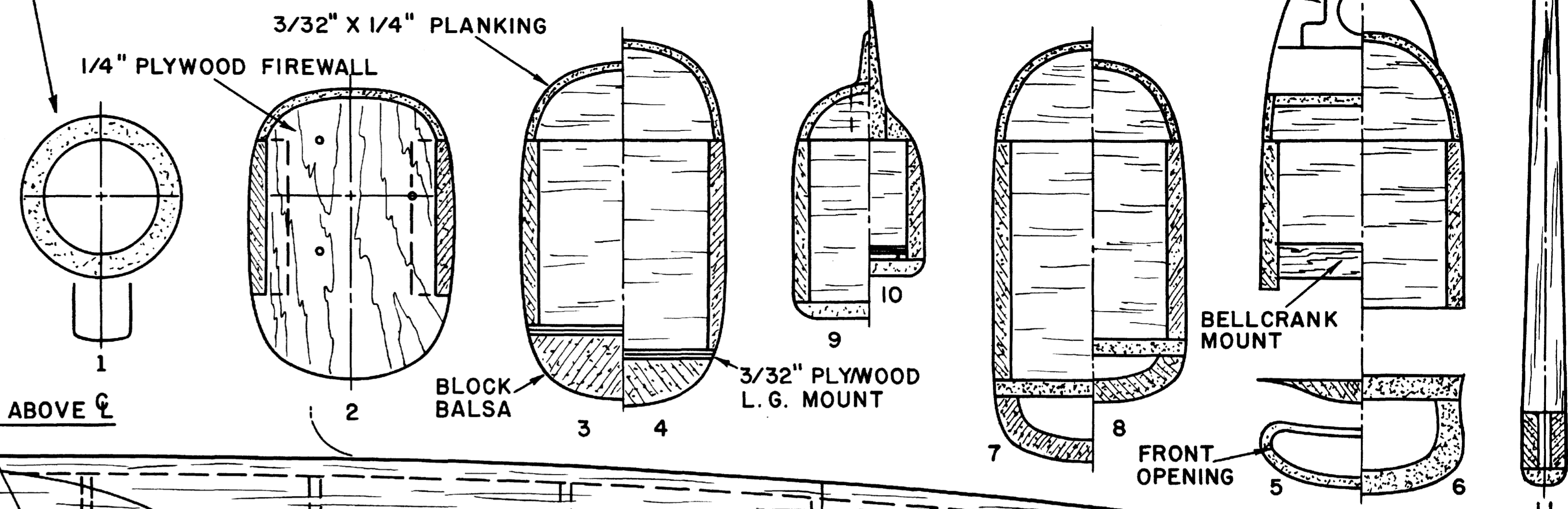


# FQ-433

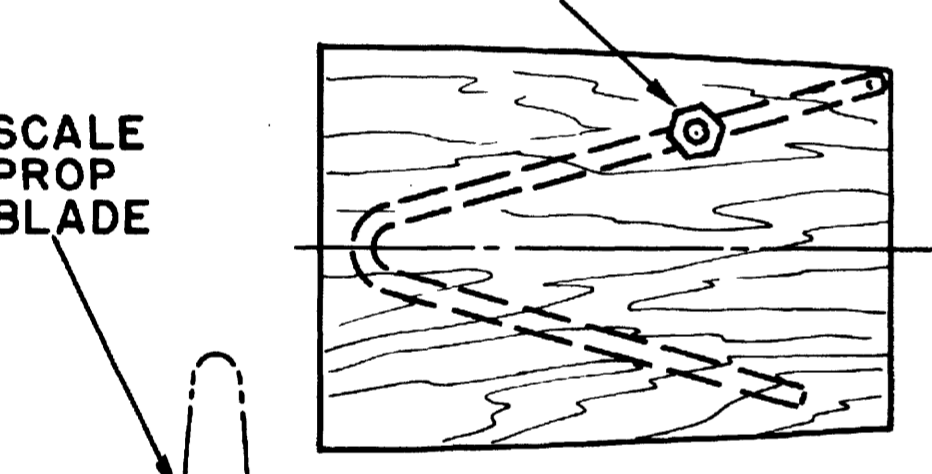
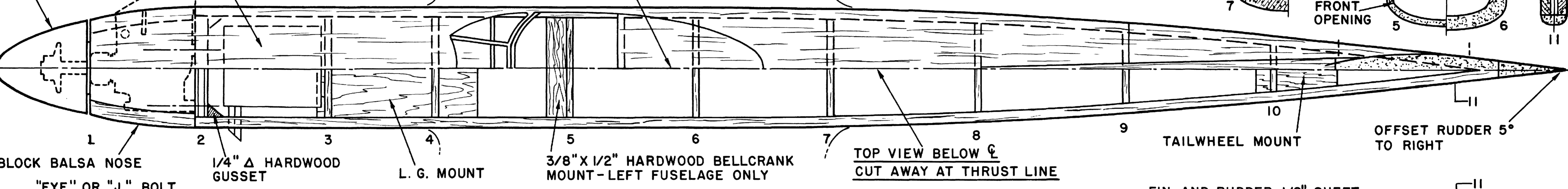
FUSELAGE SIDE NUMERALS - RED  
U. S. AIR FORCE  
7433



FUSELAGE CROSS SECTIONS  
ALL FORMERS 1/8" SHEET EXCEPT WHERE NOTED

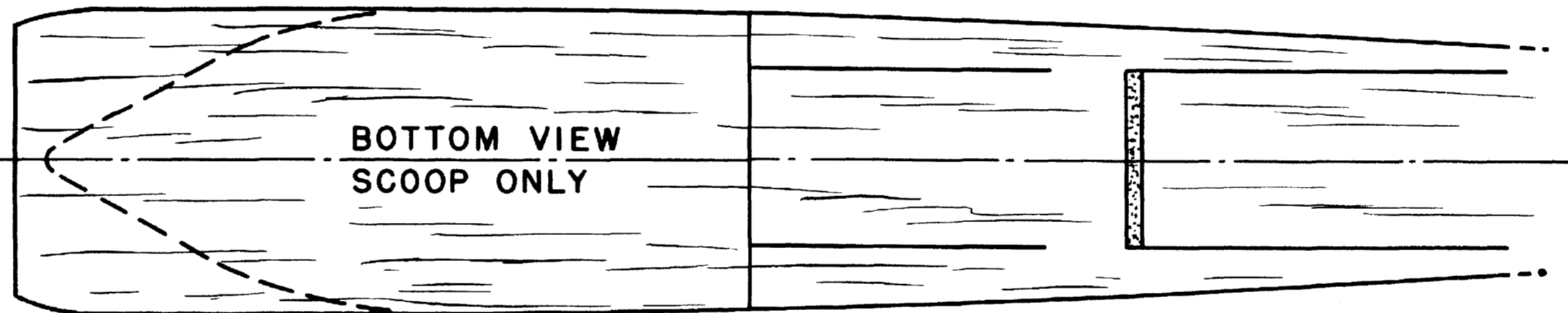


O & R 23 OR 29 ENGINE  
1-3/4" DIA. SPINNER

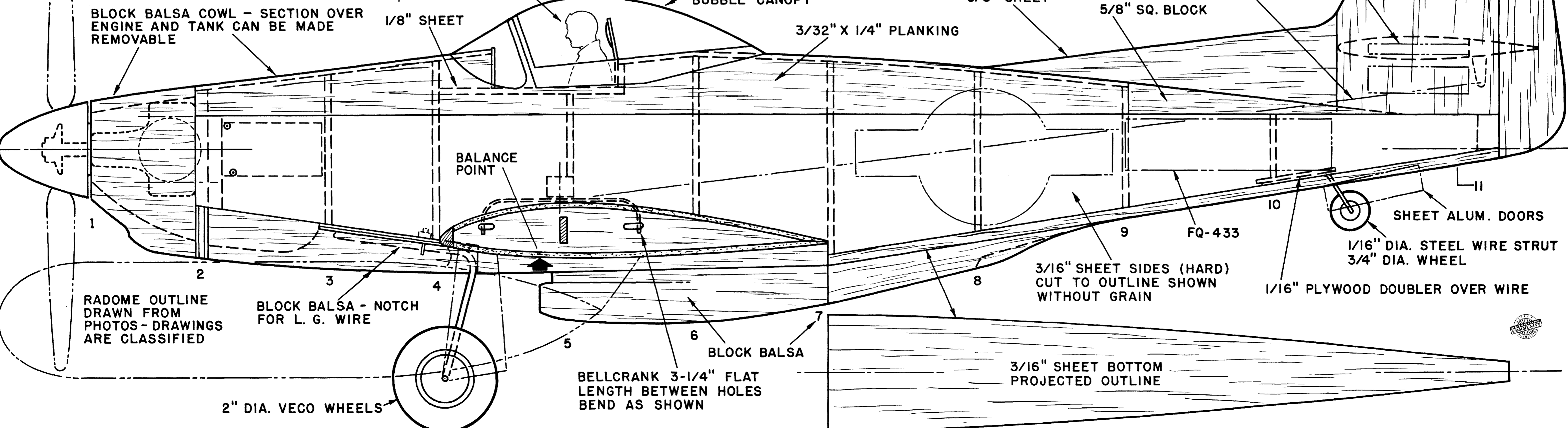


TOP VIEW L. G. MOUNT  
3/32" PLYWOOD

FRONT VIEW  
RIGHT LANDING  
GEAR - 1/8" DIA.  
STEEL WIRE  
MAKE 1 RIGHT,  
1 LEFT



BOTTOM VIEW  
SCOOP ONLY



BLOCK BALSA COWL - SECTION OVER  
ENGINE AND TANK CAN BE MADE  
REMOVABLE

SCALE PILOT OUTLINE  
1/8" SHEET

BERKELEY P-51  
BUBBLE CANOPY

DORSAL FIN  
3/8" SHEET

1/16" DIA. STEEL WIRE  
PUSH ROD

5/8" SQ. BLOCK

U. S. AIR FORCE  
7433

FIN AND RUDDER 1/2" SHEET

OFFSET RUDDER 5°  
TO RIGHT

RADOME OUTLINE  
DRAWN FROM  
PHOTOS - DRAWINGS  
ARE CLASSIFIED

BLOCK BALSA - NOTCH  
FOR L. G. WIRE

BALANCE  
POINT

BELLCRANK 3-1/4" FLAT  
LENGTH BETWEEN HOLES  
BEND AS SHOWN

BLOCK BALSA

3/16" SHEET SIDES (HARD)  
CUT TO OUTLINE SHOWN  
WITHOUT GRAIN

SHEET ALUM. DOORS  
1/16" DIA. STEEL WIRE STRUT  
3/4" DIA. WHEEL

1/16" PLYWOOD DOUBLER OVER WIRE

3/16" SHEET BOTTOM  
PROJECTED OUTLINE

2" DIA. VECO WHEELS



