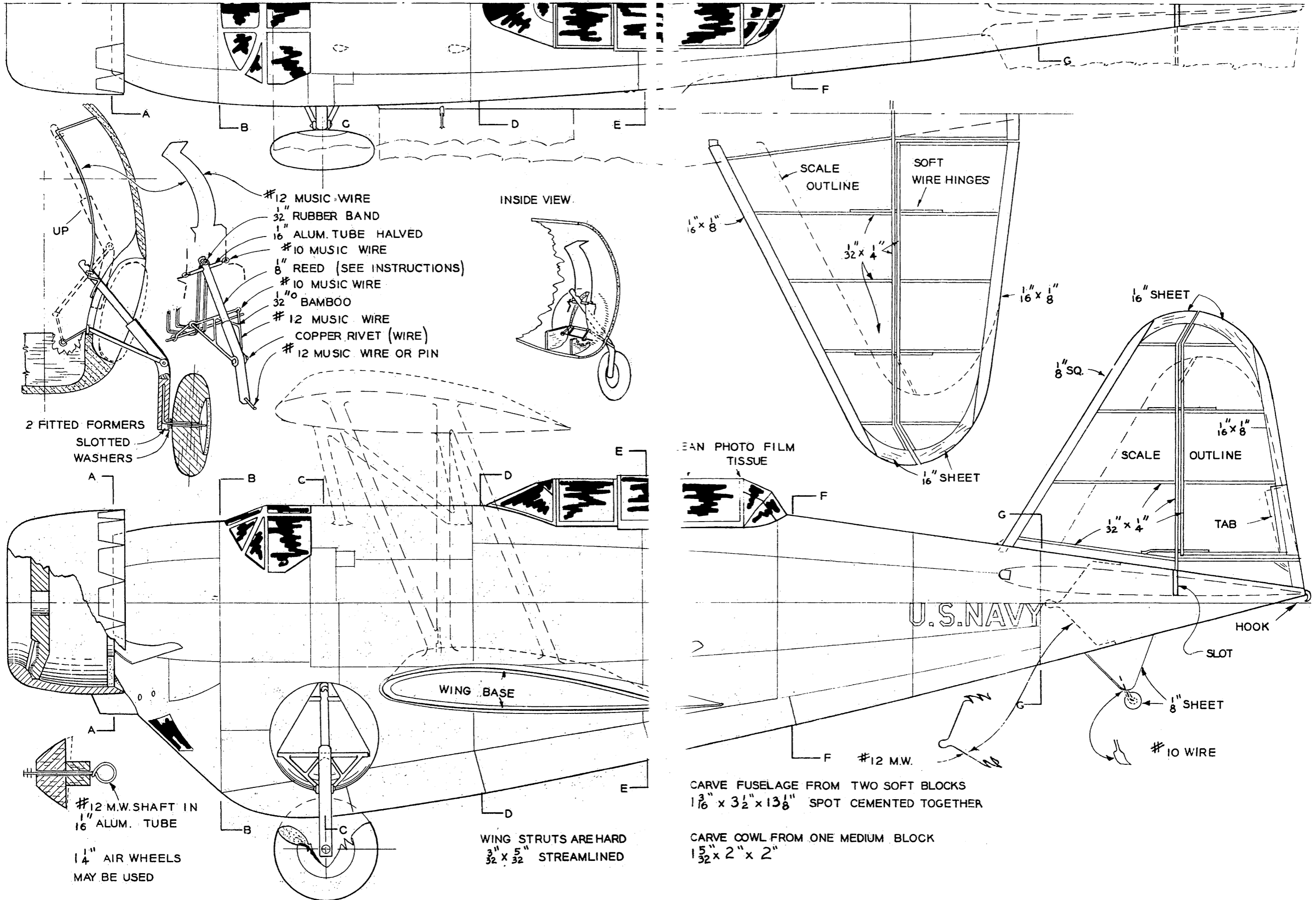


**THE GREAT LAKES TORPEDO BOMBER**



- #12 MUSIC WIRE
- 1/32" RUBBER BAND
- 1/16" ALUM. TUBE HALVED
- #10 MUSIC WIRE
- 1/8" REED (SEE INSTRUCTIONS)
- #10 MUSIC WIRE
- 1/32" BAMBOO
- #12 MUSIC WIRE
- COPPER RIVET (WIRE)
- #12 MUSIC WIRE OR PIN

INSIDE VIEW

WING BASE

U.S. NAVY

CARVE FUSELAGE FROM TWO SOFT BLOCKS  
 1 3/16" x 3 1/2" x 13 1/8" SPOT CEMENTED TOGETHER

CARVE COWL FROM ONE MEDIUM BLOCK  
 1 5/32" x 2" x 2"

WING STRUTS ARE HARD  
 3/32" x 5/32" STREAMLINED

2 FITTED FORMERS  
 SLOTTED  
 WASHERS

#12 M.W. SHAFT IN  
 1/16" ALUM. TUBE

1/4" AIR WHEELS  
 MAY BE USED

PLAIN PHOTO FILM  
 TISSUE

1/8" SHEET

#10 WIRE

#12 M.W.

3/32" x 1/4"

1/8" SQ.

1/16" SHEET

1/16" x 1/8"

3/32" x 1/4"

SCALE  
 OUTLINE

SOFT  
 WIRE HINGES

1/16" x 8"

1/16" SHEET

1/16" x 1/8"

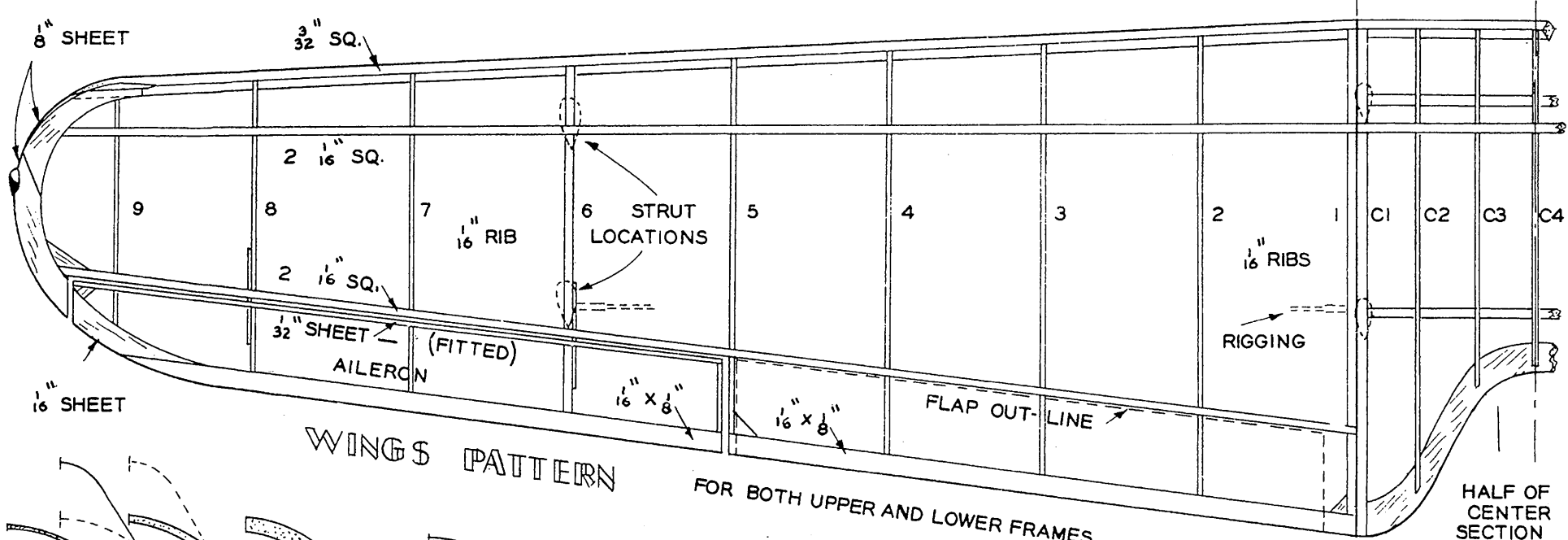
SCALE

OUTLINE

TAB

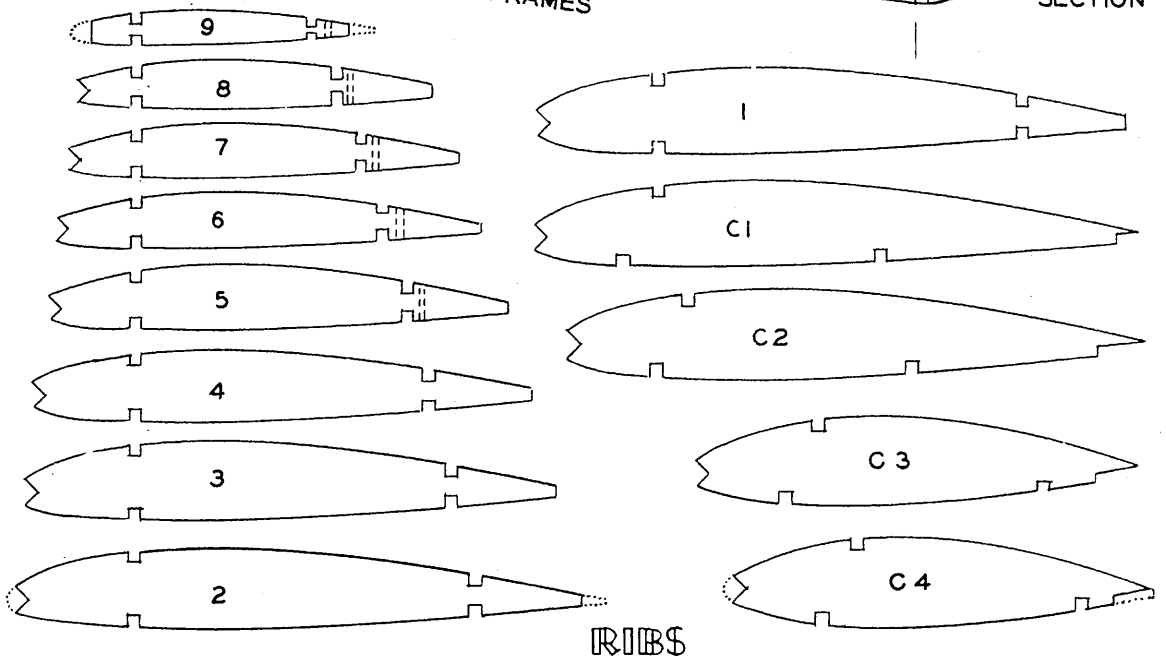
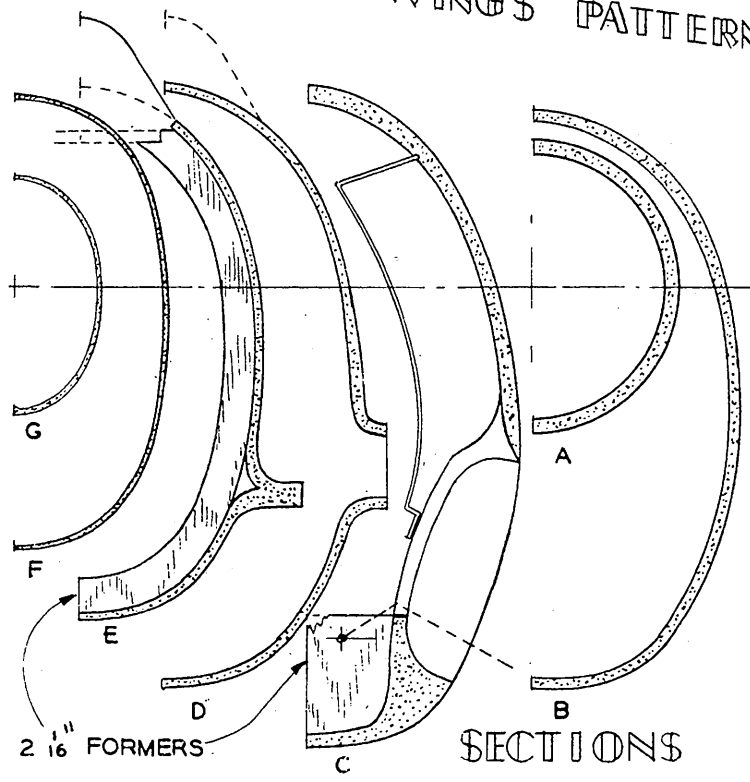
HOOK

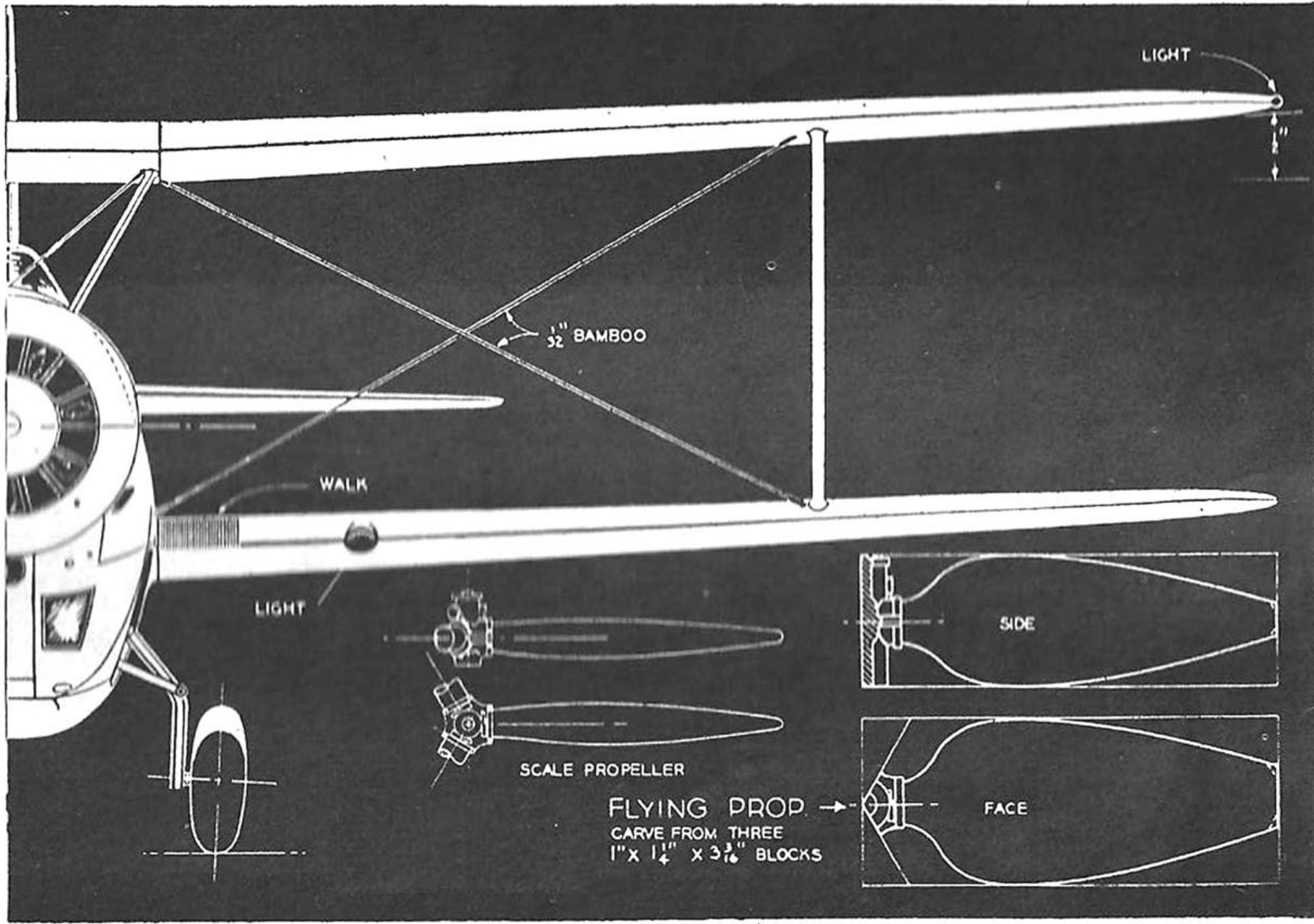
SLOT



WINGS PATTERN

FOR BOTH UPPER AND LOWER FRAMES





LIGHT

$\frac{1}{32}$  BAMBOO

WALK

LIGHT

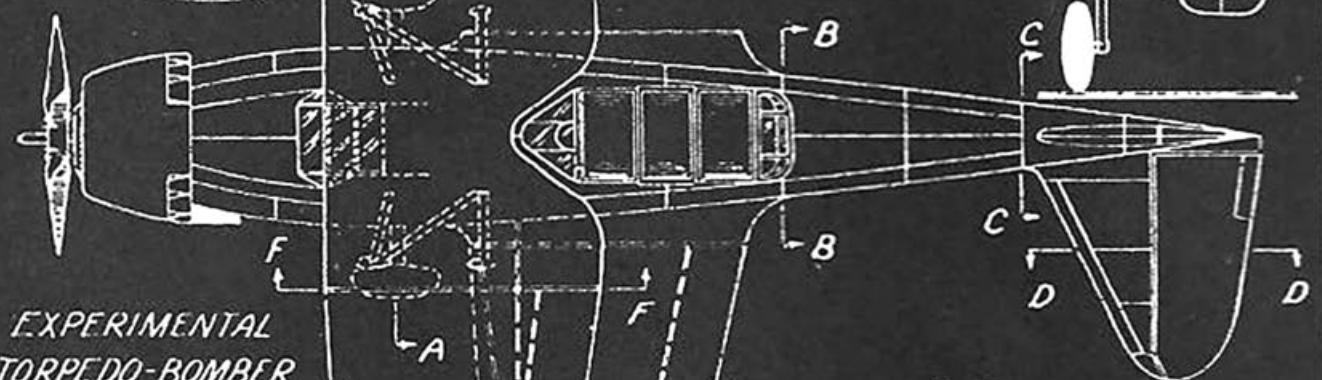
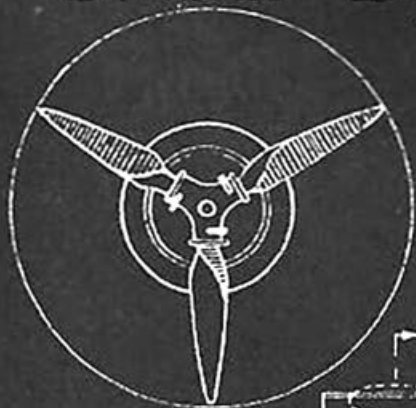
SCALE PROPELLER

FLYING PROP. →  
CARVE FROM THREE  
1" X  $\frac{1}{4}$ " X  $\frac{3}{16}$ " BLOCKS

SIDE

FACE

# GREAT LAKES XTBG-1



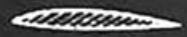
EXPERIMENTAL  
TORPEDO-BOMBER  
POWERED BY  
P&W TWIN WASP  
830 HORSEPOWER  
TOP SPEED 200  
MILES PER HOUR  
2000 POUND AERIAL  
TORPEDO CARRIED  
IN RETRACTABLE  
HOUSING UNDER  
BELLY



A-A



D-D



E-E



F-F



C-C

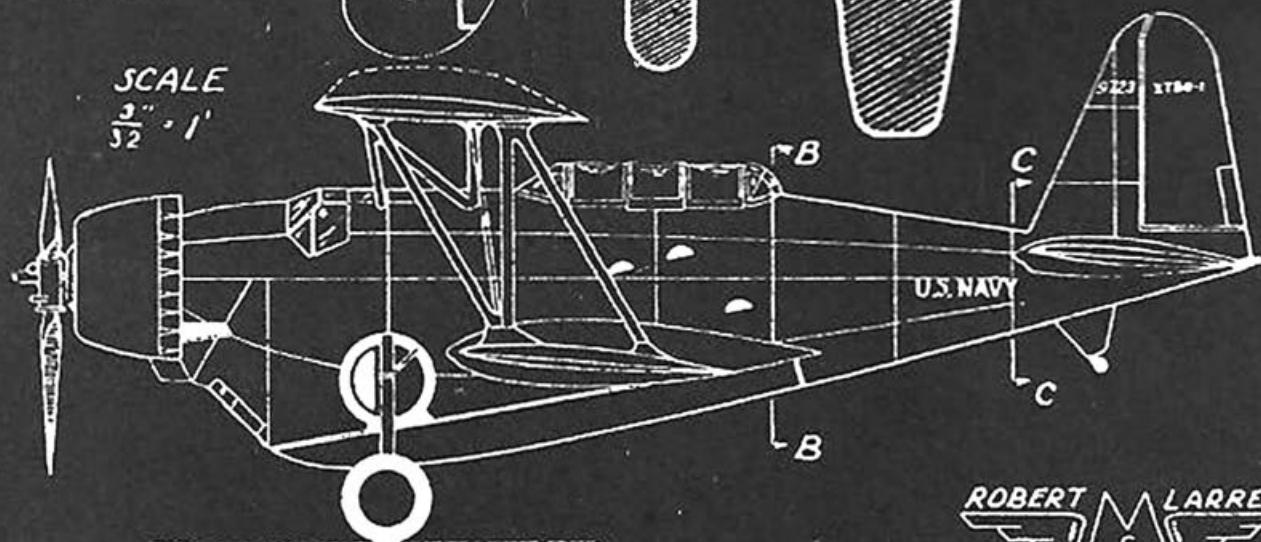


B-B



SCALE

$\frac{3}{32} = 1'$



ROBERT M LARREN