

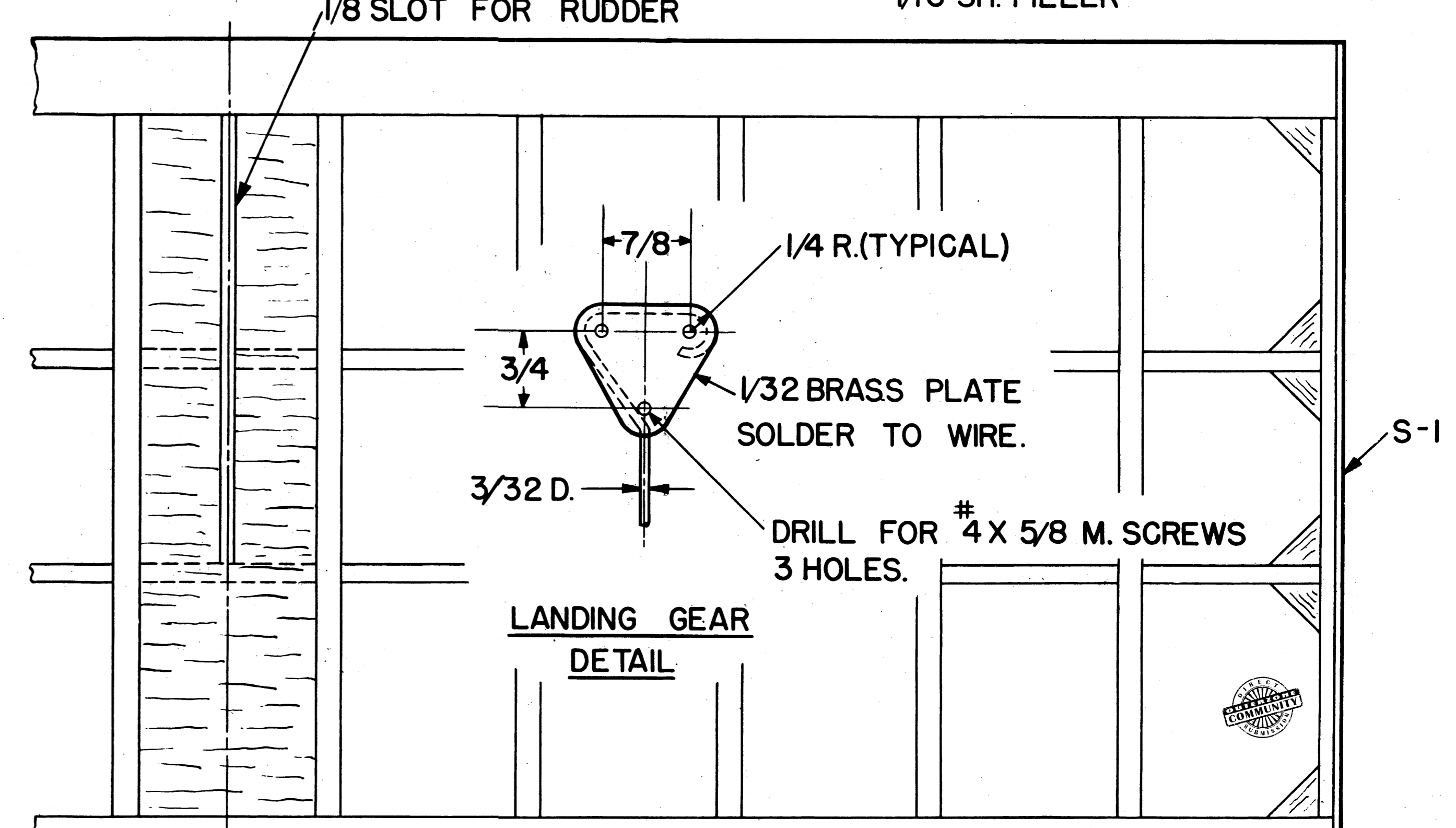
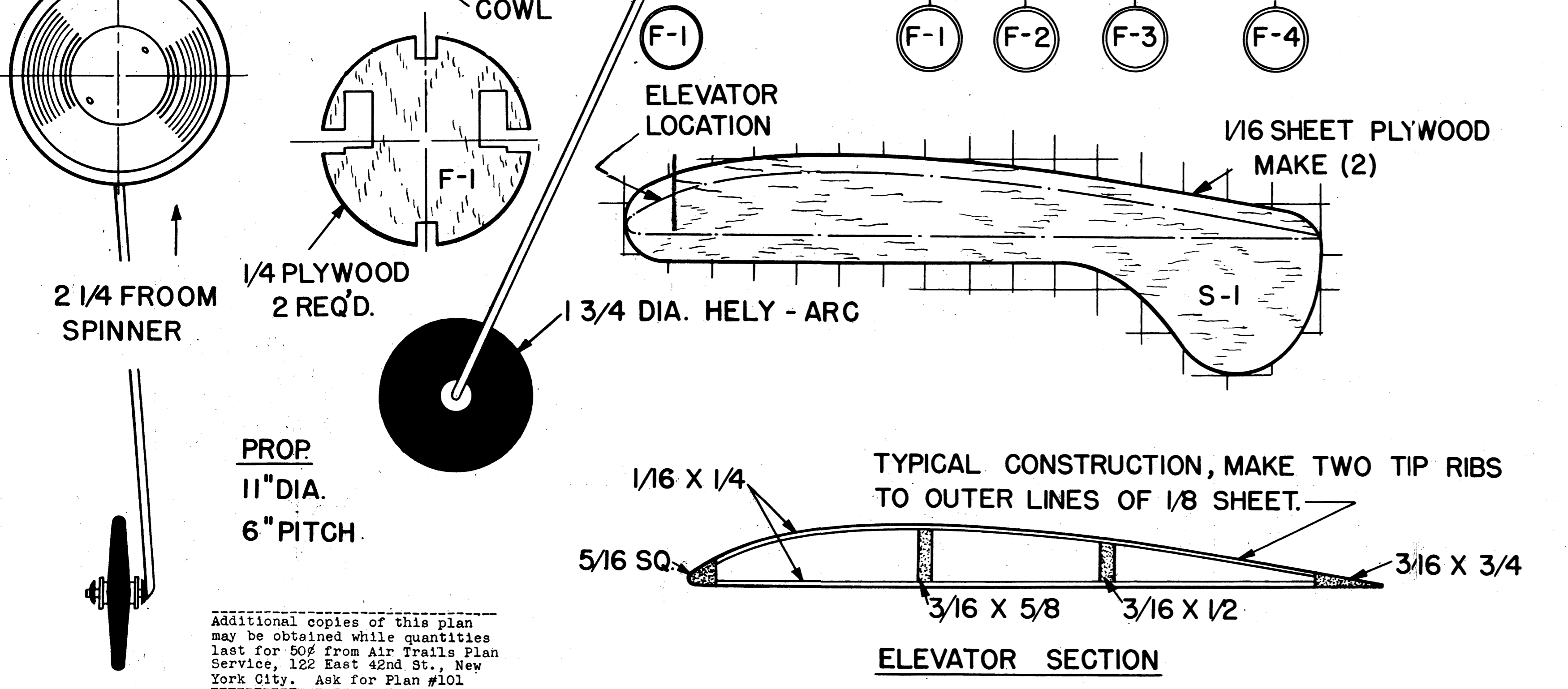
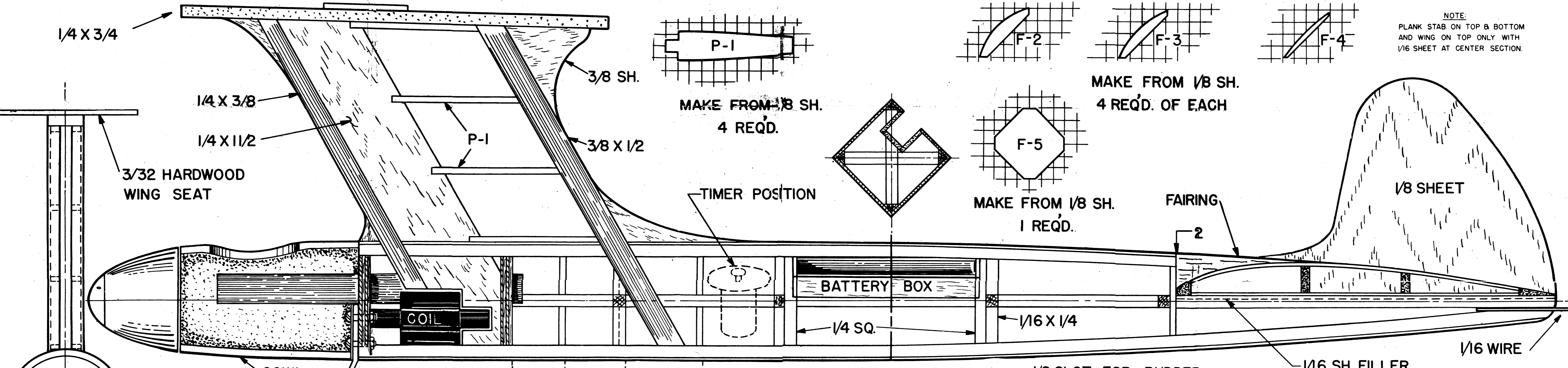
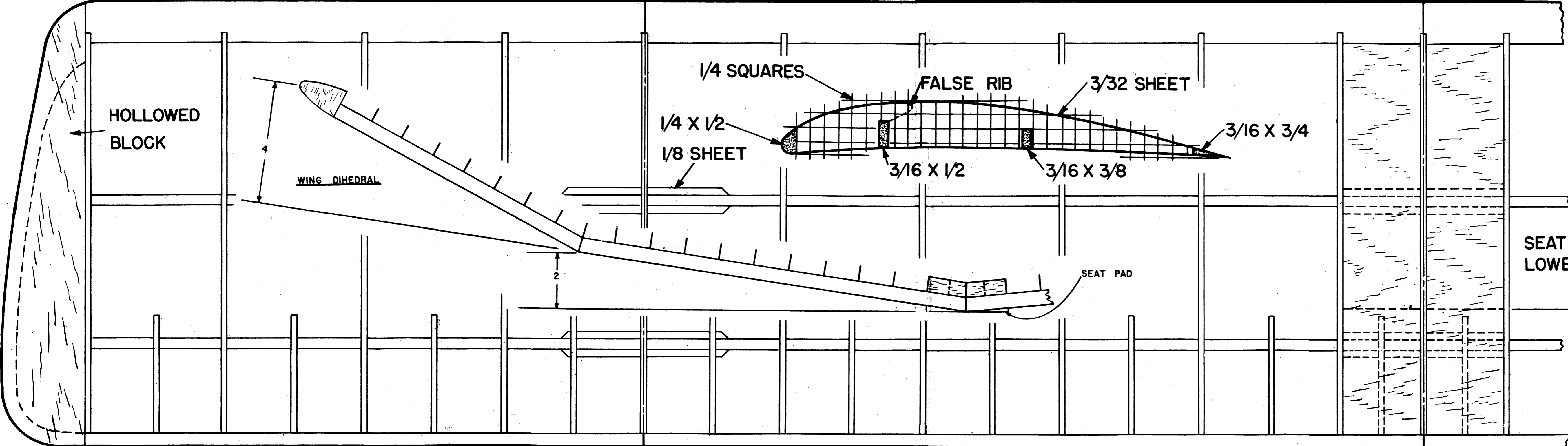
CLIMAX

FROM
AUGUST 1948
AIR
TRAILS

SEAT PAD ON
LOWER SURFACE

- GENERAL NOTES
- 1 USE Balsa THROUGHOUT, EXCEPT WHERE OTHERWISE NOTED.
 - 2 ALL LONGERONS & COMPRESSION MEMBERS ARE 1/4 SQUARES.
 - 3 CARVE COWL FROM TWO BLOCKS WITH TOP HALF REMOVABLE.
 - 4 MOTOR MOUNTS - 5/8 X 5/16 MAPLE
 - 5 PLANK FUSELAGE & PYLON WITH 1/16 SH

NOTE:
PLANK STAB ON TOP & BOTTOM AND WING ON TOP ONLY WITH 1/16 SHEET AT CENTER SECTION.



Additional copies of this plan may be obtained while quantities last for 50¢ from Air Trails Plan Service, 122 East 42nd St., New York City. Ask for Plan #101.

