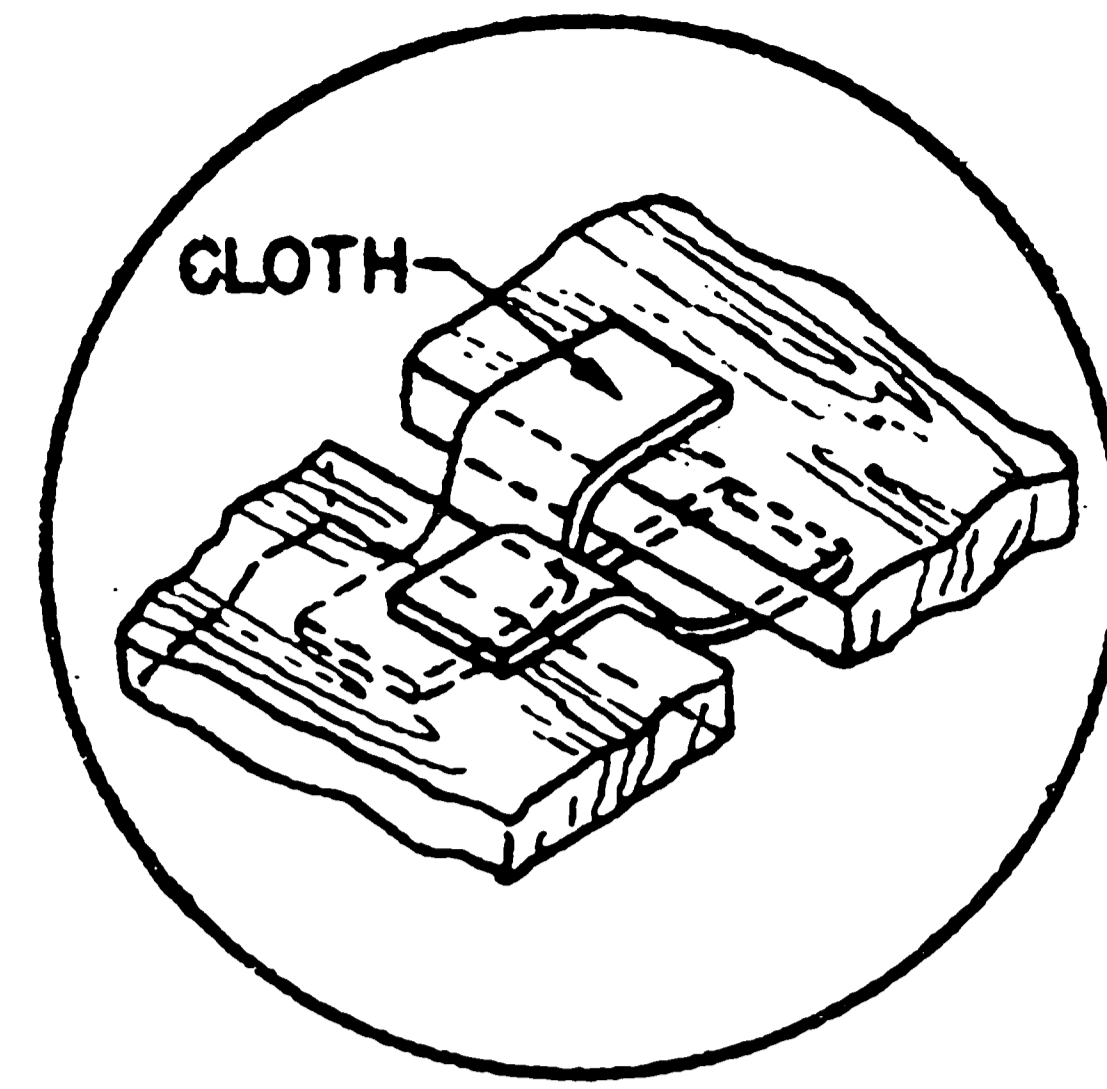


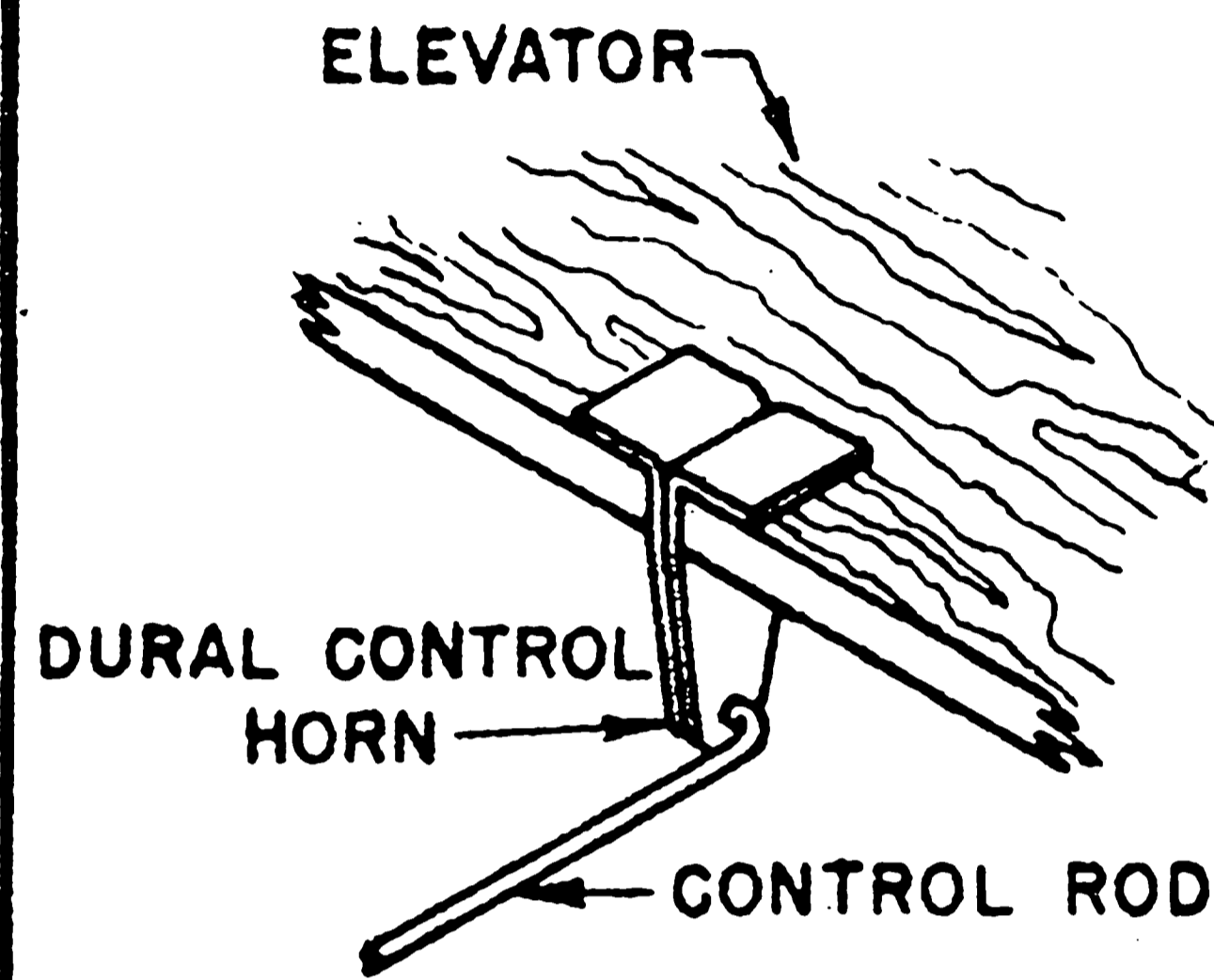
GRAPH SCALE: 1/2" = □

NOTE: THERE IS NO DIHEDRAL IN THE WING.

U-CONTROL CONNECTING ROD--1/8" WIRE
(TOP AND SIDE VIEWS)



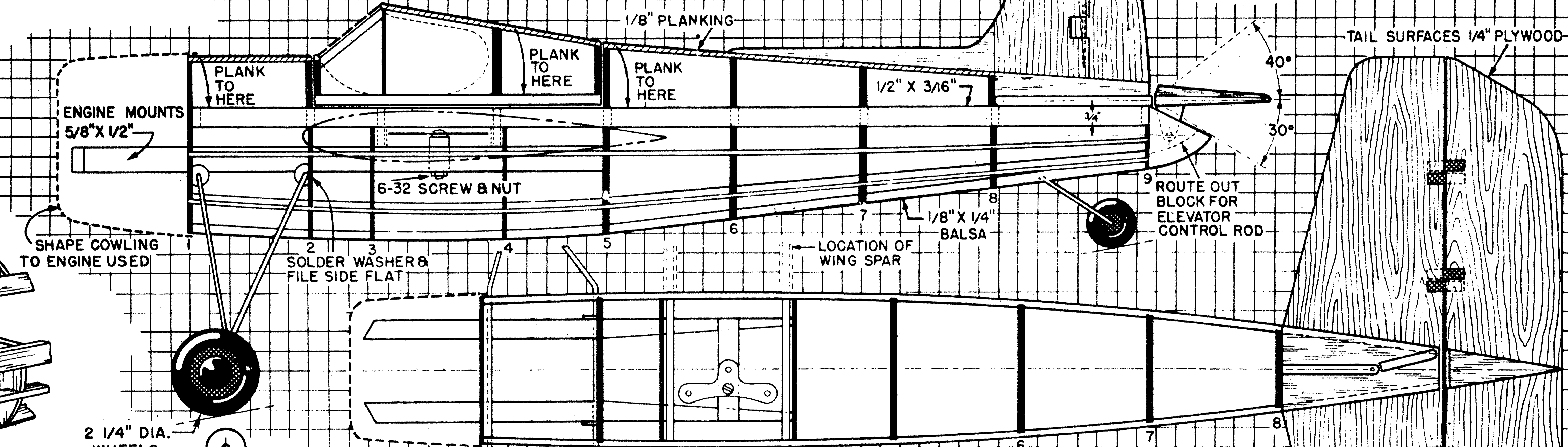
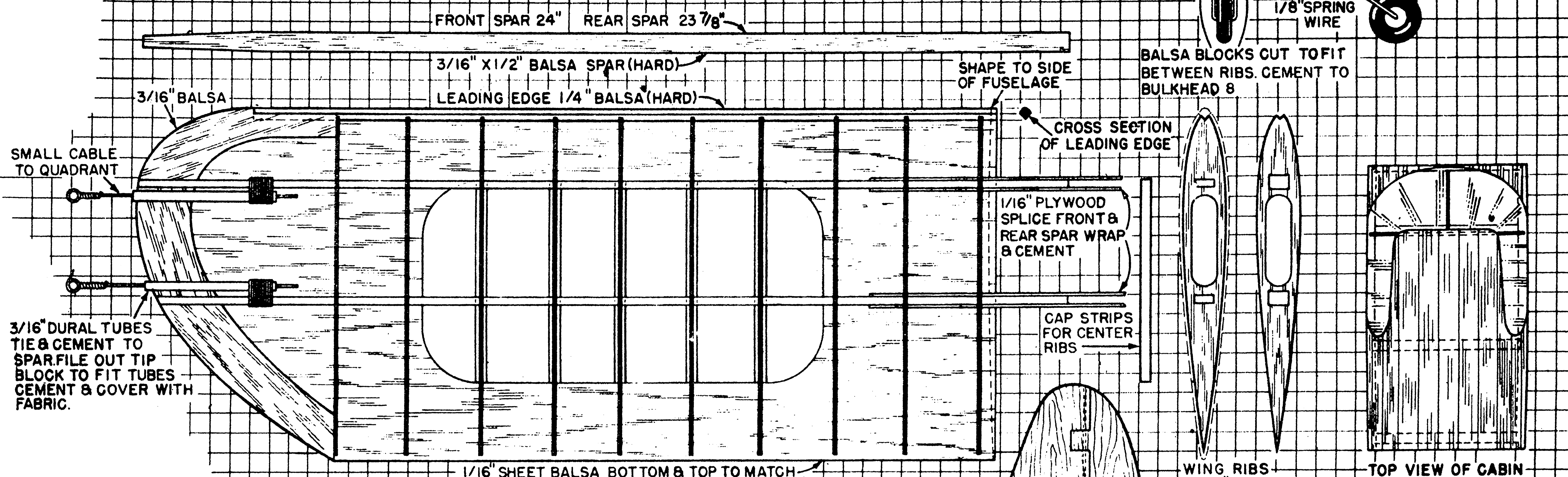
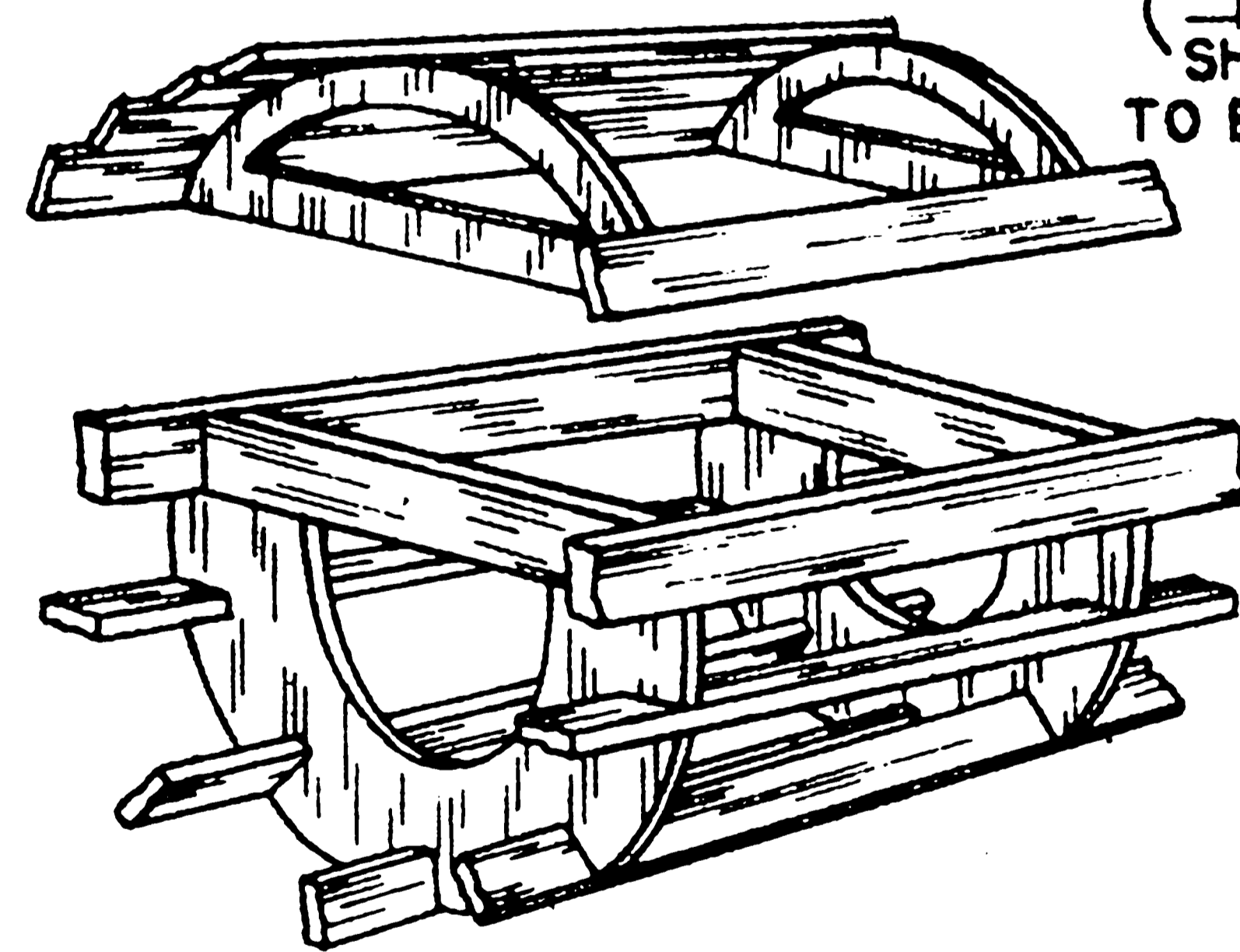
ELEVATOR HINGE DETAIL



ELEVATOR CONTROL DETAIL

USE 12" DIA. PROPELLER

BULKHEADS 6 & 7



2 1/4" DIA. WHEELS

