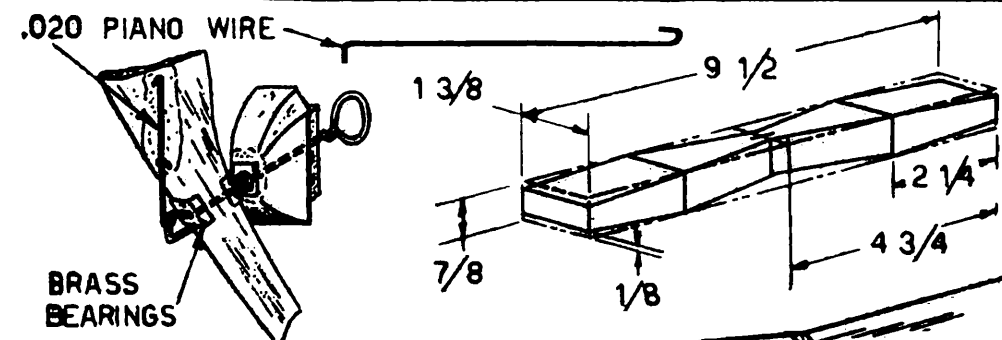
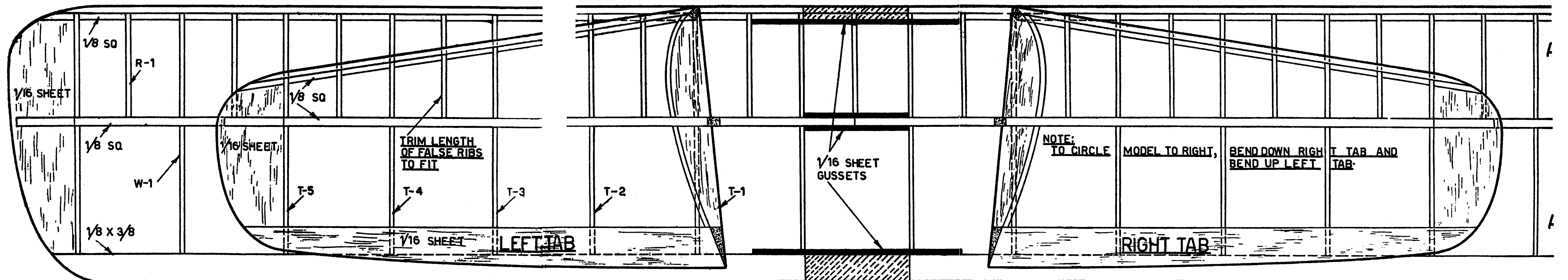


STRUCK'S CHAMP MAKER



NOTE: BLOCK UP EACH TIP 2 IN., CEMENT SHADED LEADING AND TRAILING EDGES IN PLACE. CUT AWAY CENTER RIBS AND REINFORCE WITH 1/16 SHEET.

