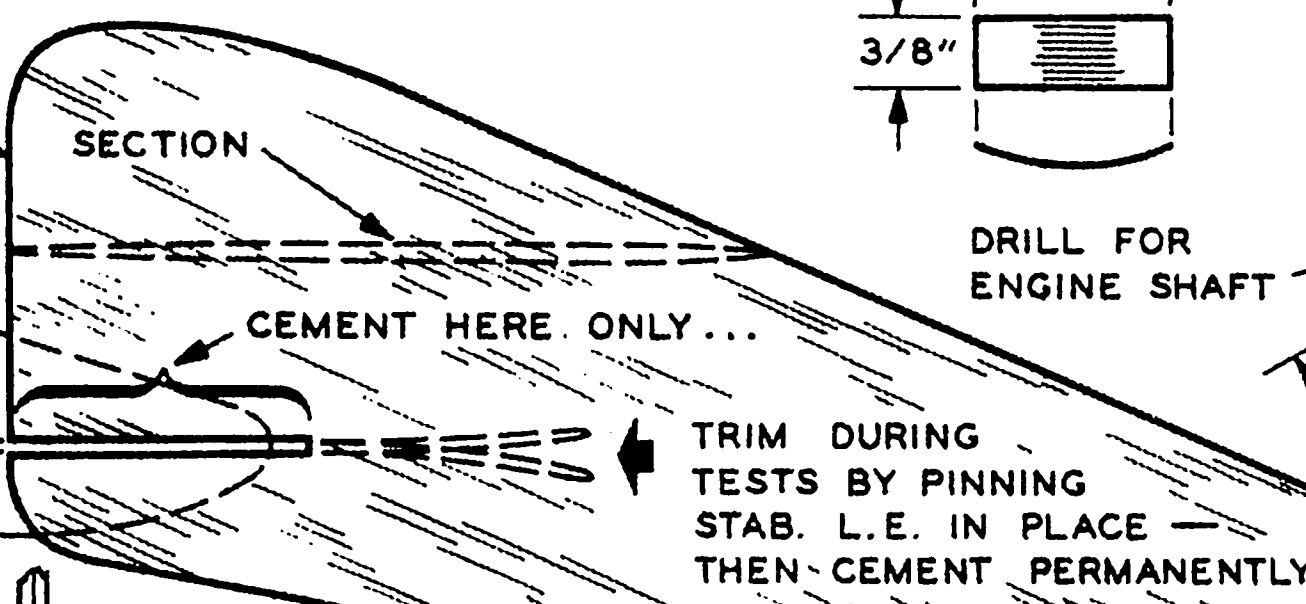
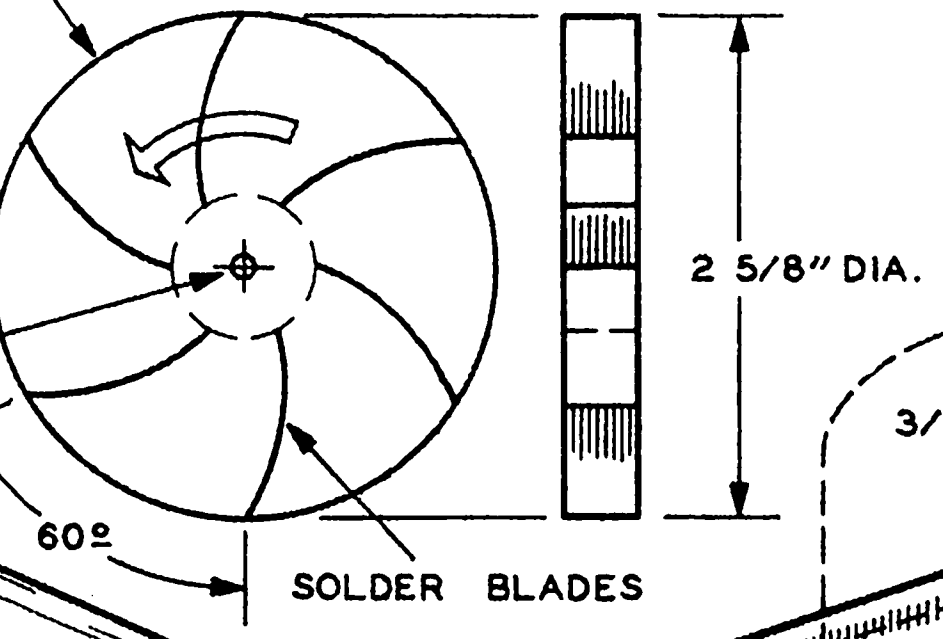


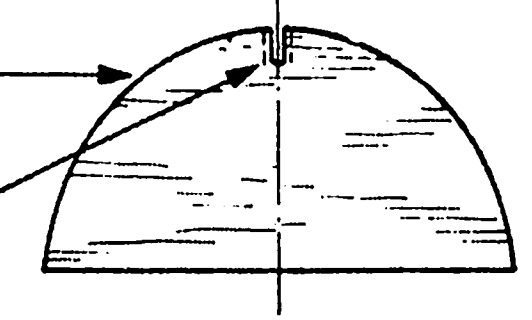
3/32" MEDIUM-HARD Balsa FIN



.025 STEEL, IRON, OR HARD BRASS



MAKE 2 OF 1/16" SHEET
1/16" NOTCH FRONT - 3/32"; REAR

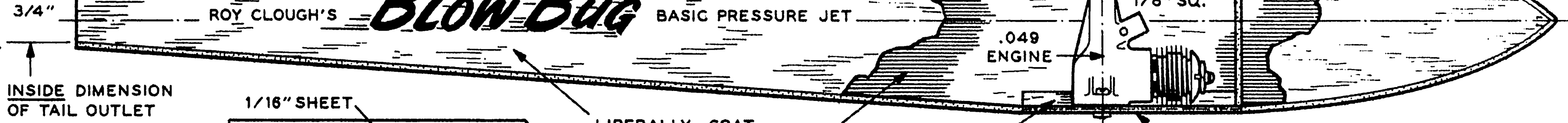
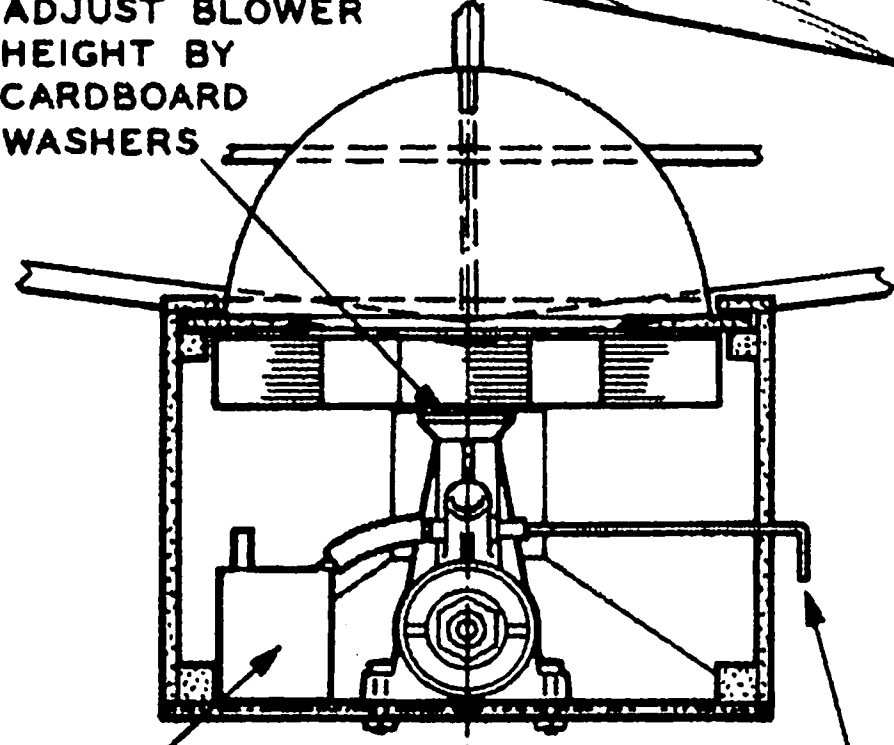


1/16" SHEET CANOPY KEEL

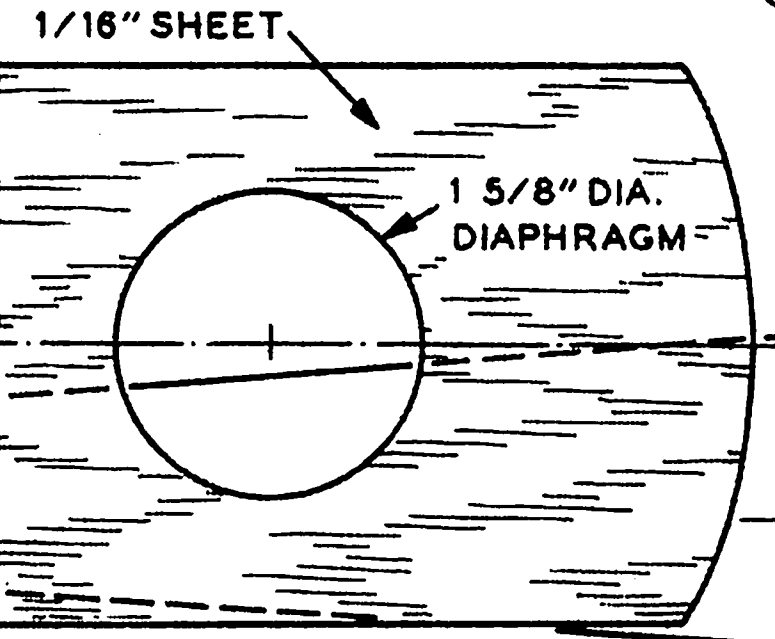
PAINTED PILOT SILHOUETTE

CANOPY SLIDES FORWARD TO REMOVE FOR STARTING ENGINE

ADJUST BLOWER HEIGHT BY CARDBOARD WASHERS



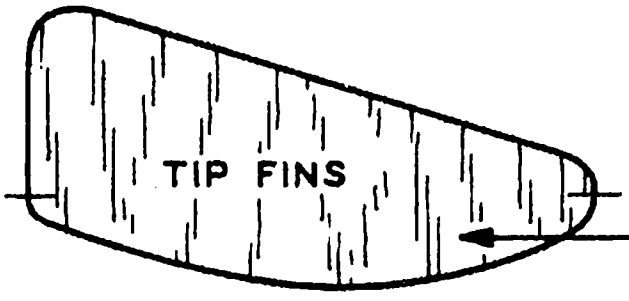
BASE OF REMOVABLE CANOPY



FUSELAGE SIDE PATTERN 1/16" SHEET

PRIMARY ASSEMBLY

DO NOT NOTCH SIDES FOR CROSSPIECE



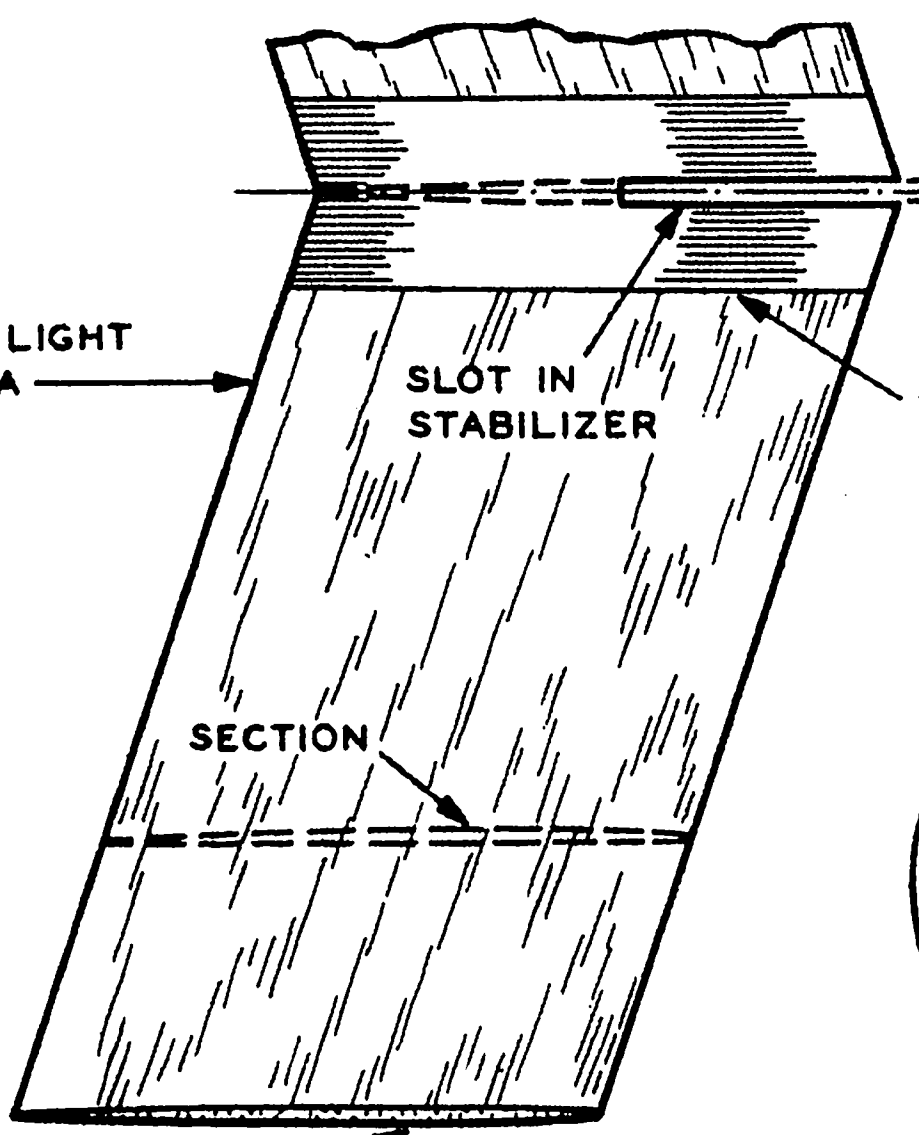
1/16" LIGHT Balsa

CEMENT SKIN

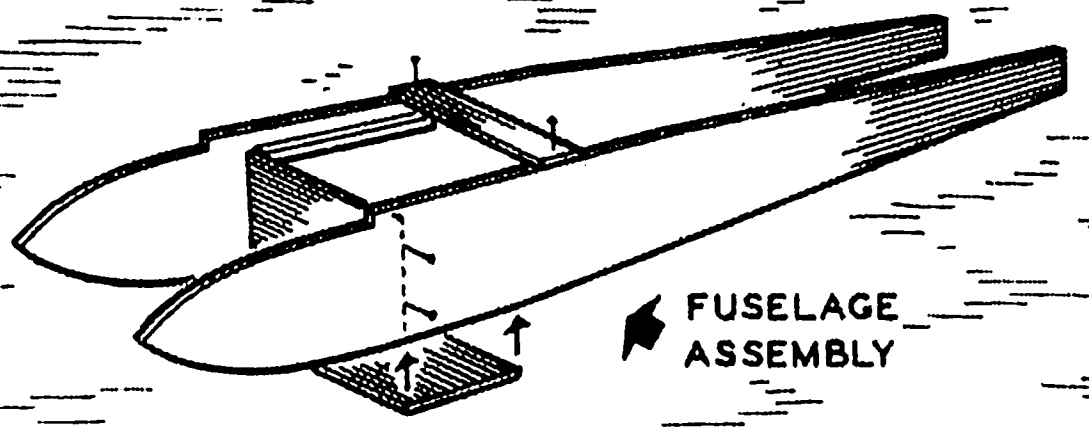
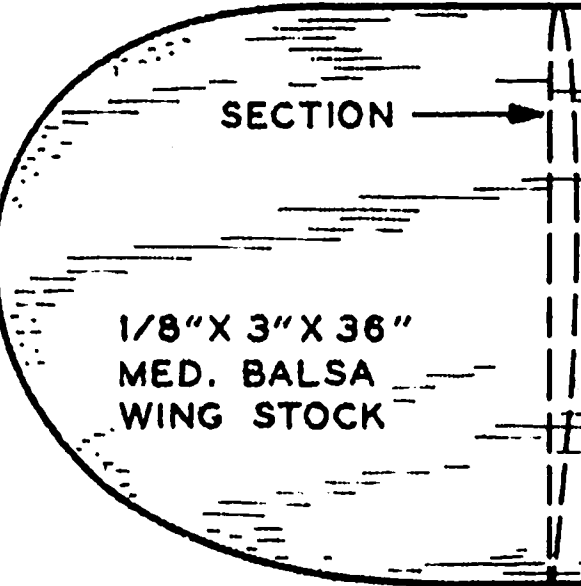
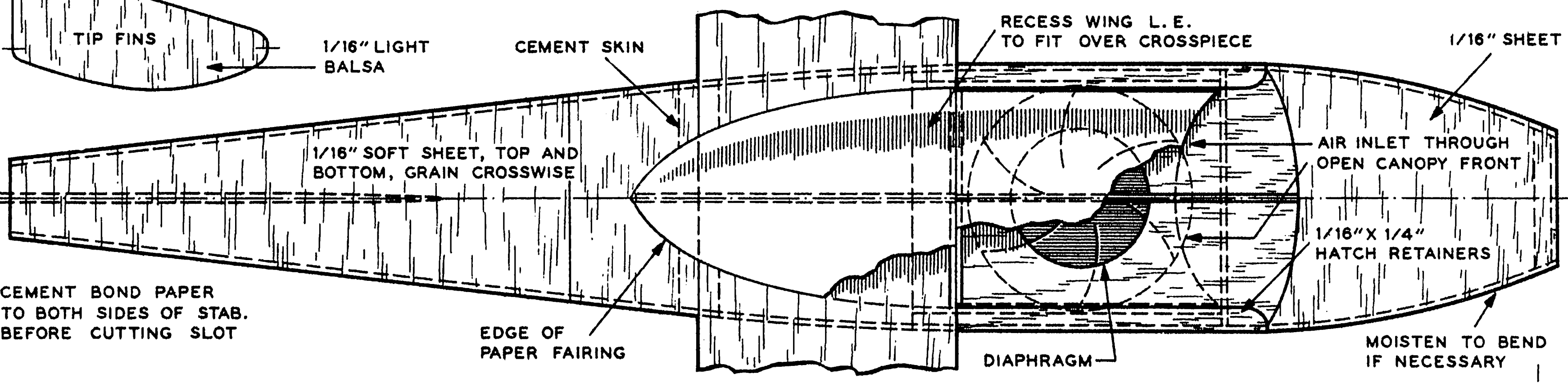
RECESS WING L.E. TO FIT OVER CROSSPIECE

1/16" SHEET

1/16" LIGHT Balsa



CEMENT BOND PAPER TO BOTH SIDES OF STAB. BEFORE CUTTING SLOT



FIT CENTER JOINT FOR 2" DIHEDRAL BENEATH EACH WING TIP

FUSELAGE SIDE
C/L

CEMENT SKIN