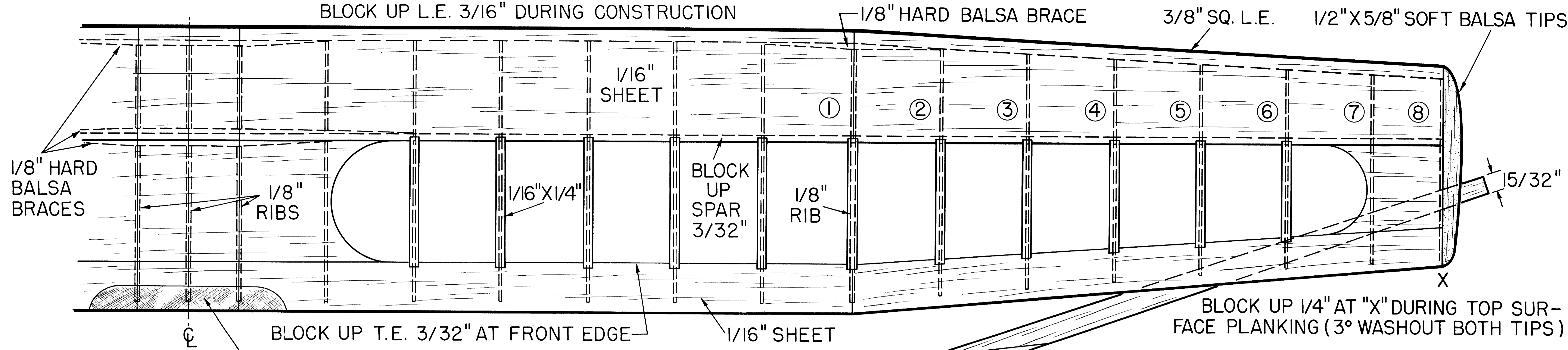
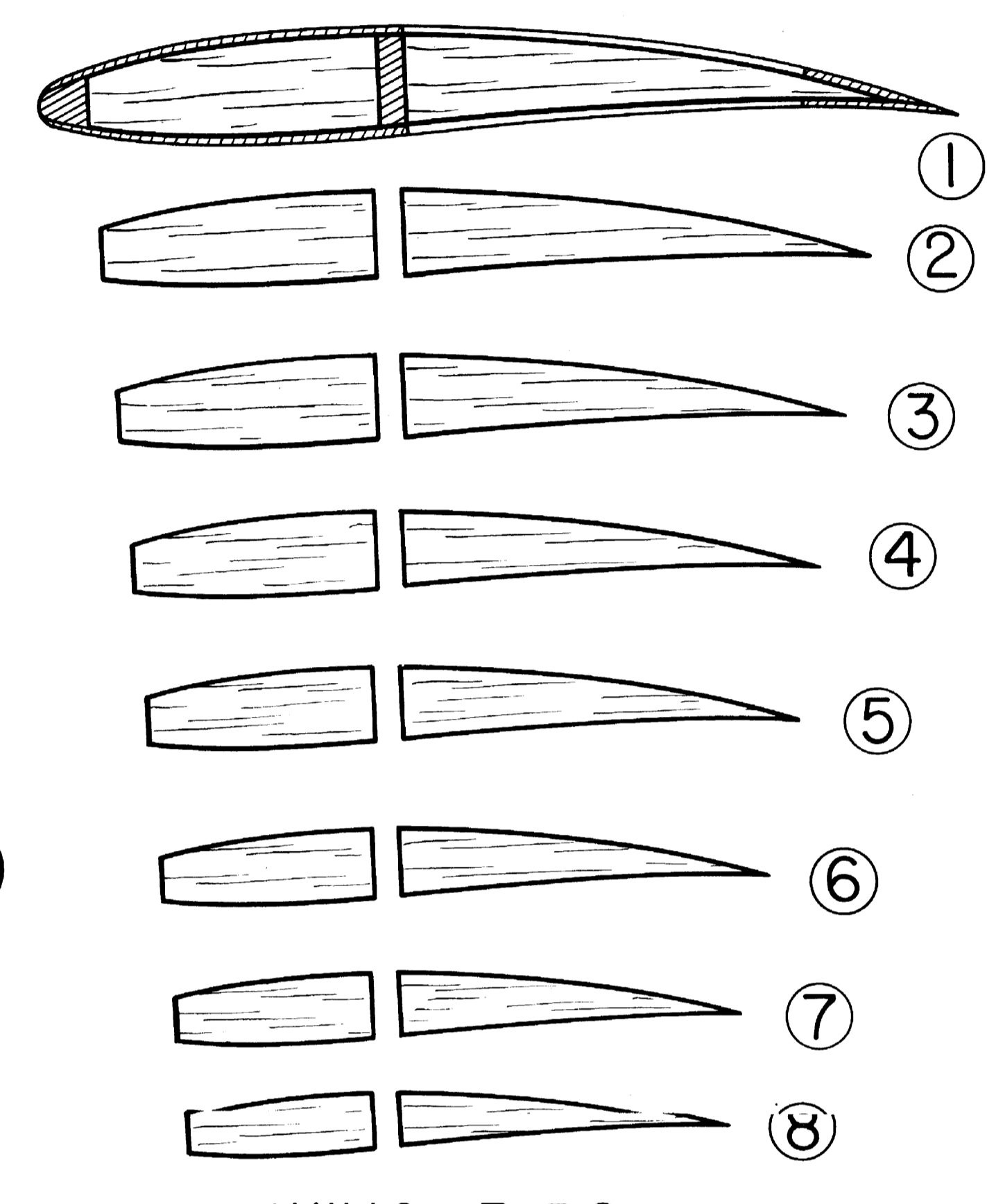


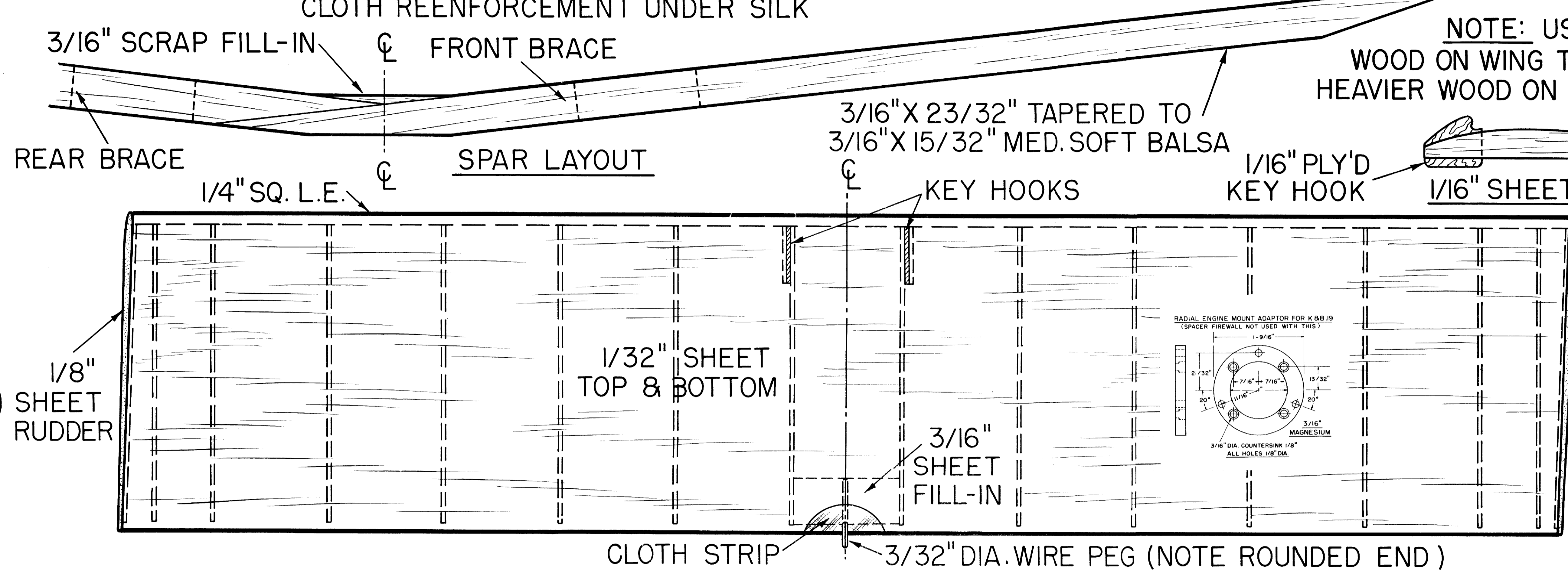
"AMAZON"



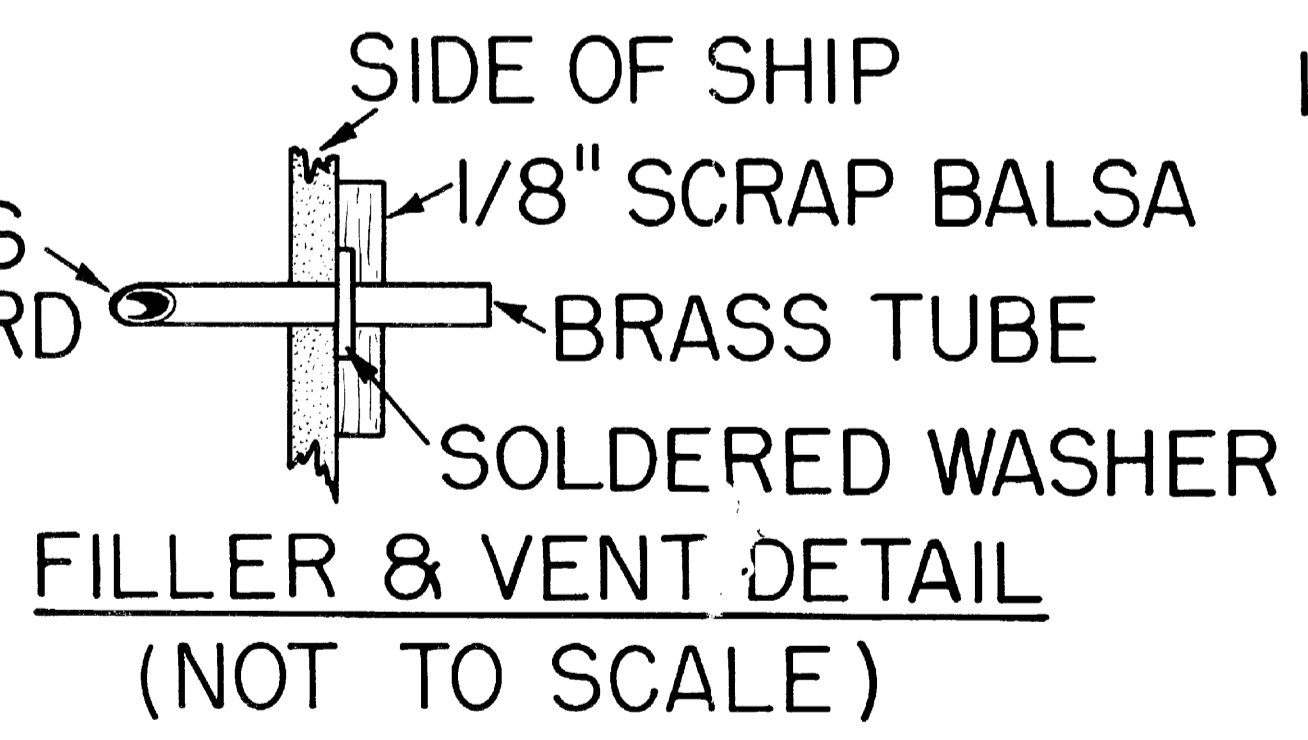
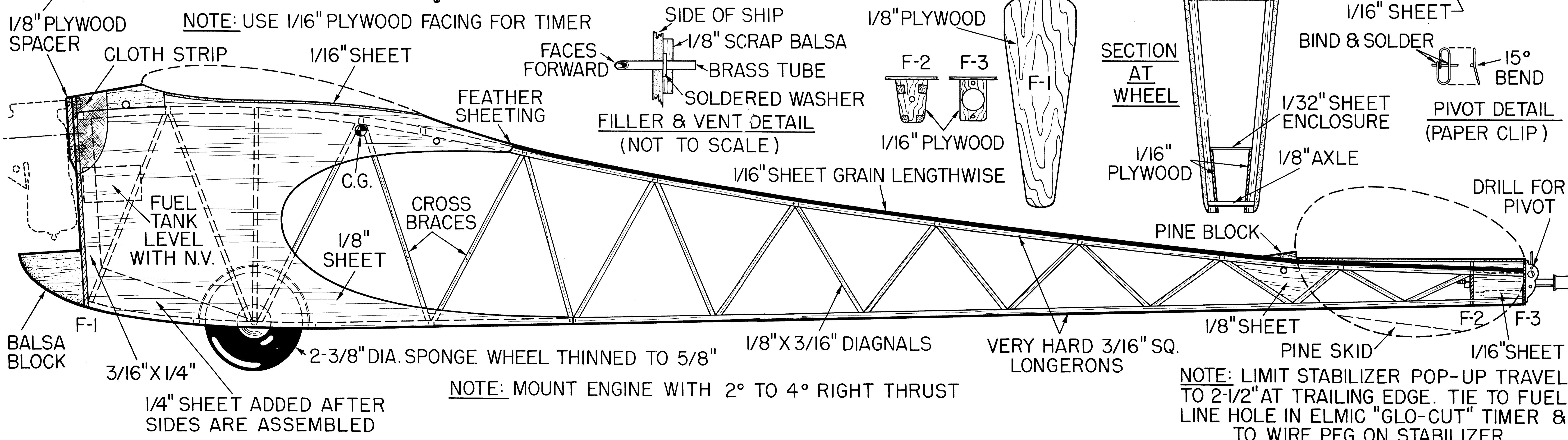
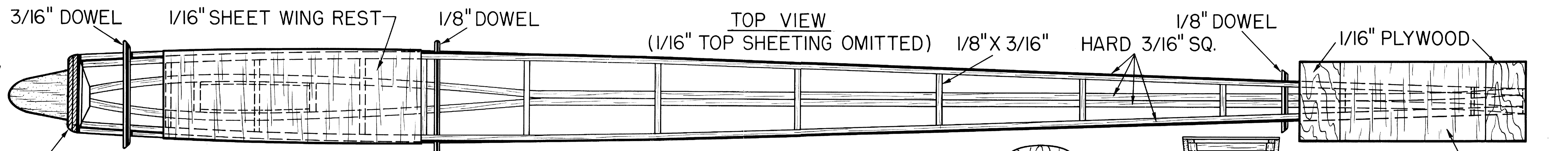
NOTE: USE LIGHT WOOD ON WING TIP PANELS & HEAVIER WOOD ON INNER PANELS



WING RIBS
1/16" SHEET EXCEPT WHERE NOTED



NOTE: BOTH RUDDERS OFFSET 3/32" TO LEFT (BUILT-IN)



SECTION AT WHEEL

PIVOT DETAIL (PAPER CLIP)

NOTE: LIMIT STABILIZER POP-UP TRAVEL TO 2-1/2" AT TRAILING EDGE. TIE TO FUEL LINE HOLE IN ELMIC "GLO-CUT" TIMER & TO WIRE PEG ON STABILIZER