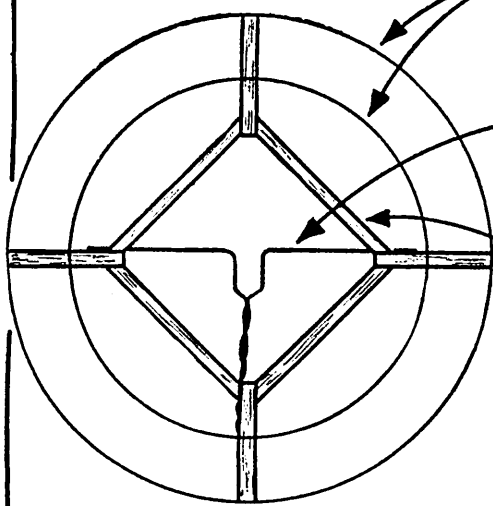


NO. 4 WIRE

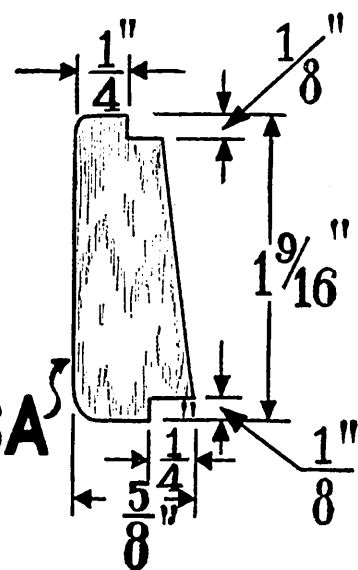
FRONT CLIP-NO.8

1/16" SQ.



FRONT VIEW

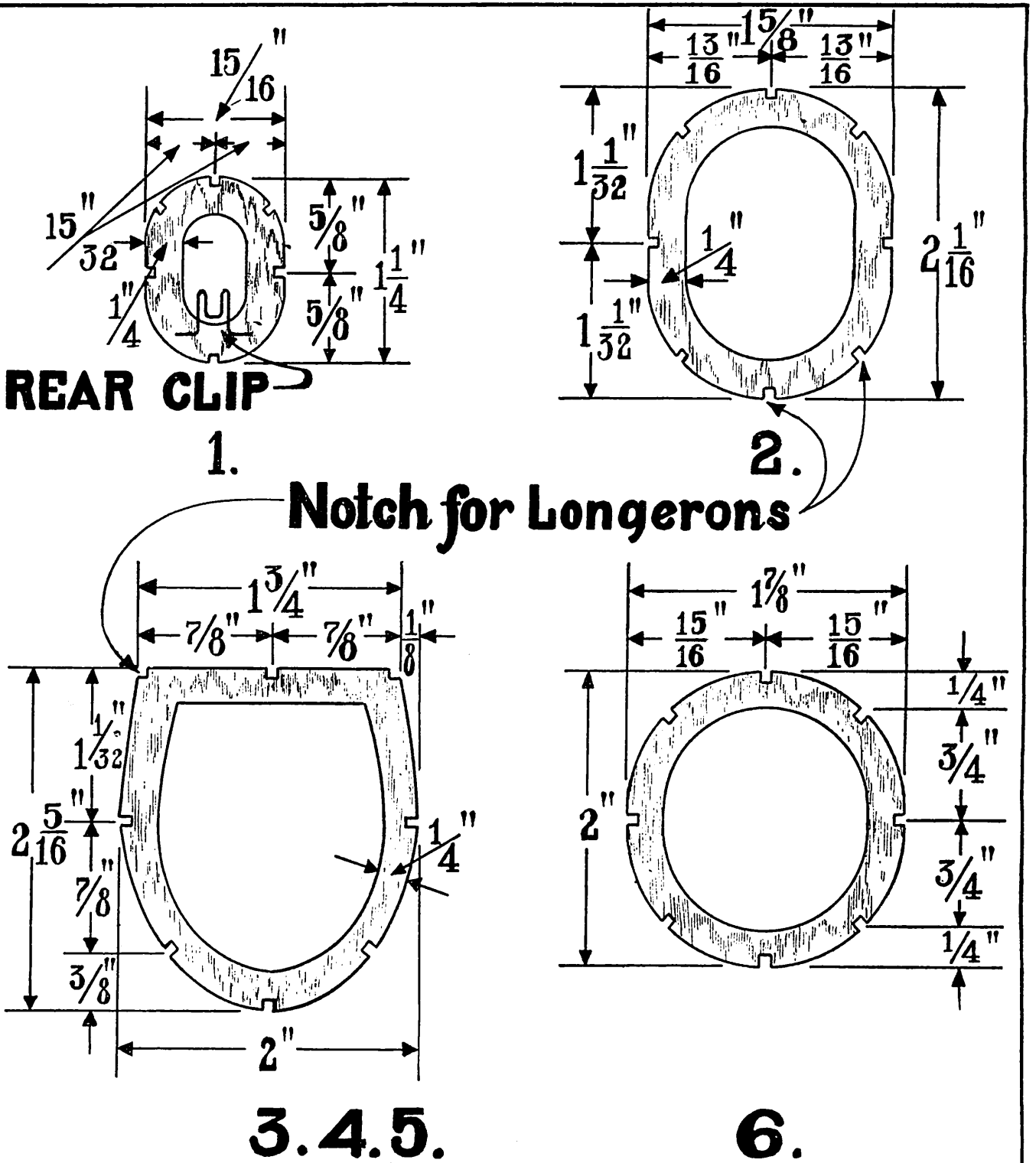
1/16" SHEET BALSA



COWLING FORMER

Make 4.

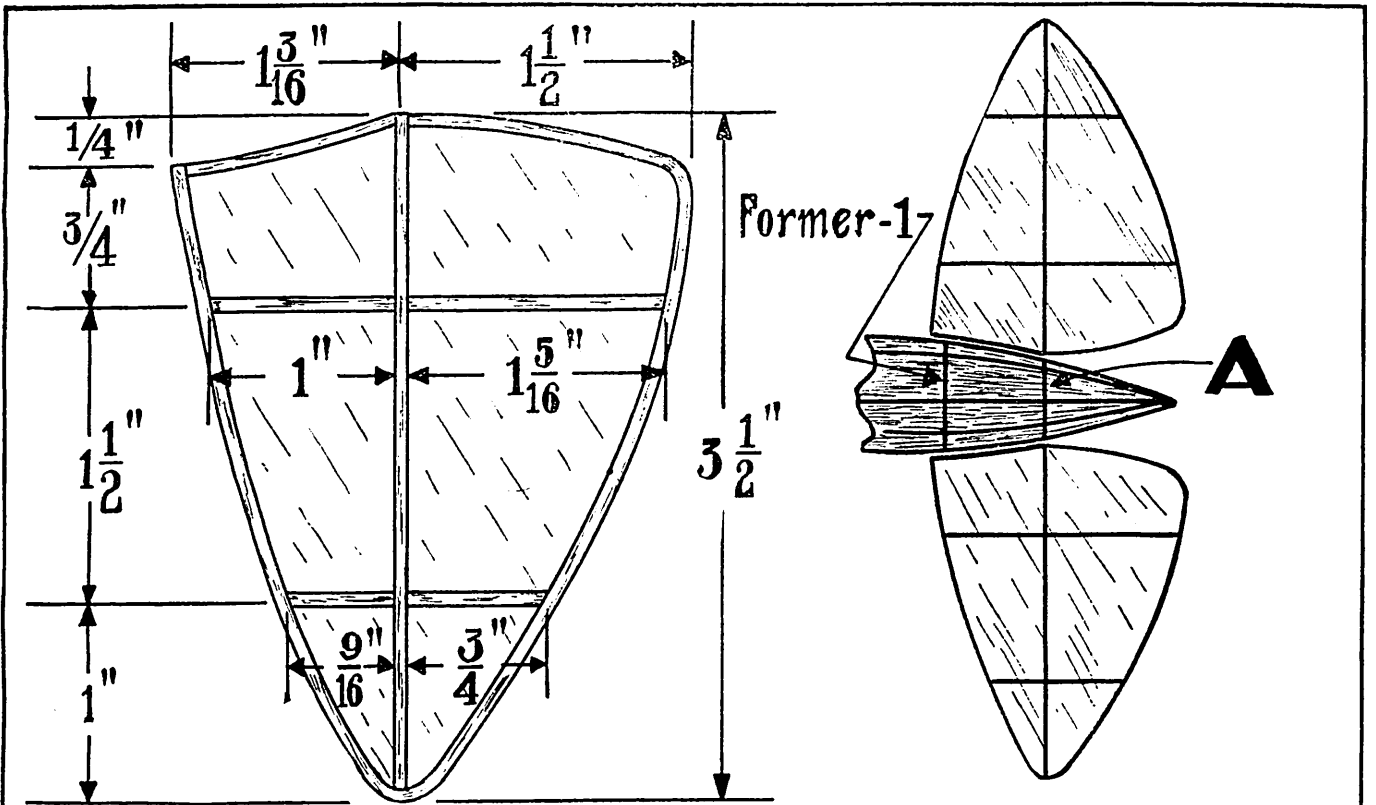
№2.



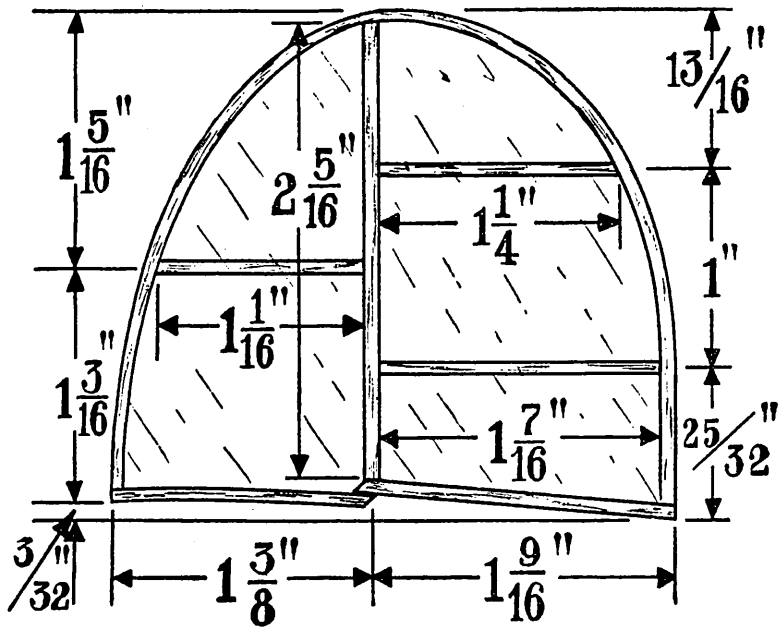
FUSELAGE FORMERS

$\frac{1}{16}$ " Sheet Balsa

No. 3.

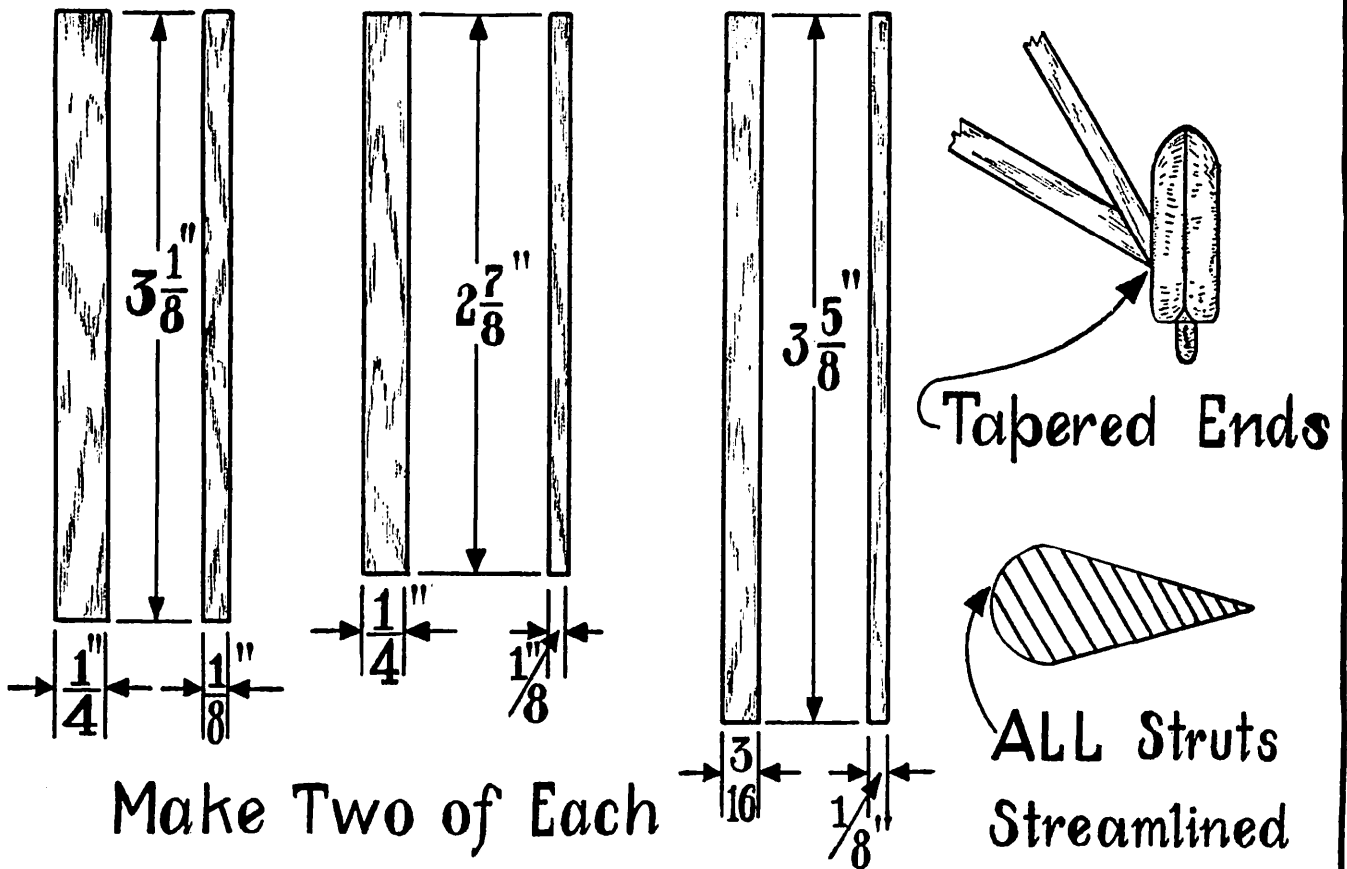


ELEVATOR



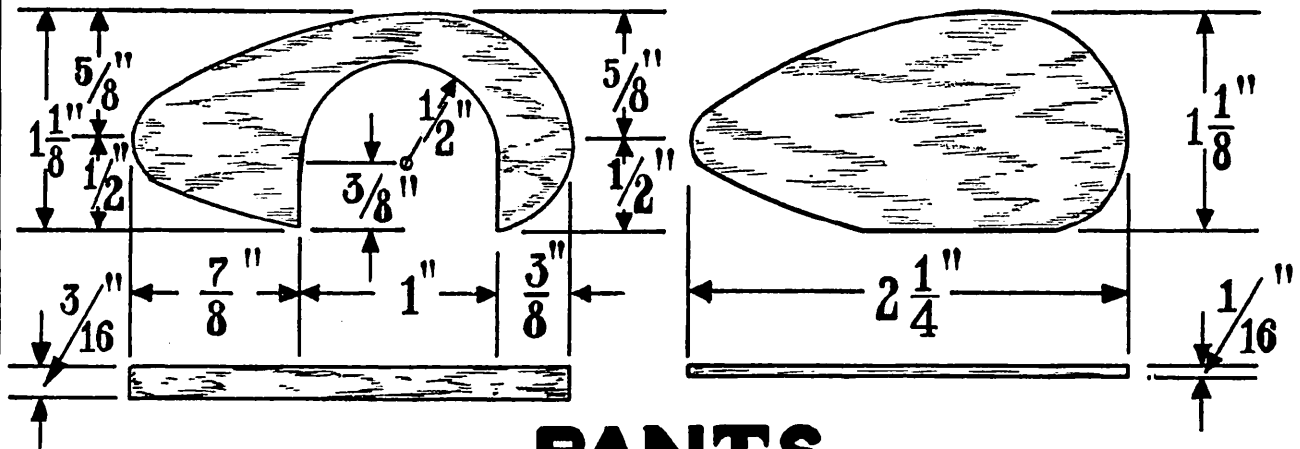
RUDDER

№ 4.



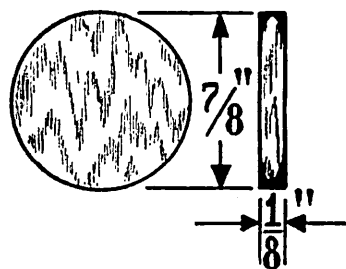
Make Two of Each

STRUTS



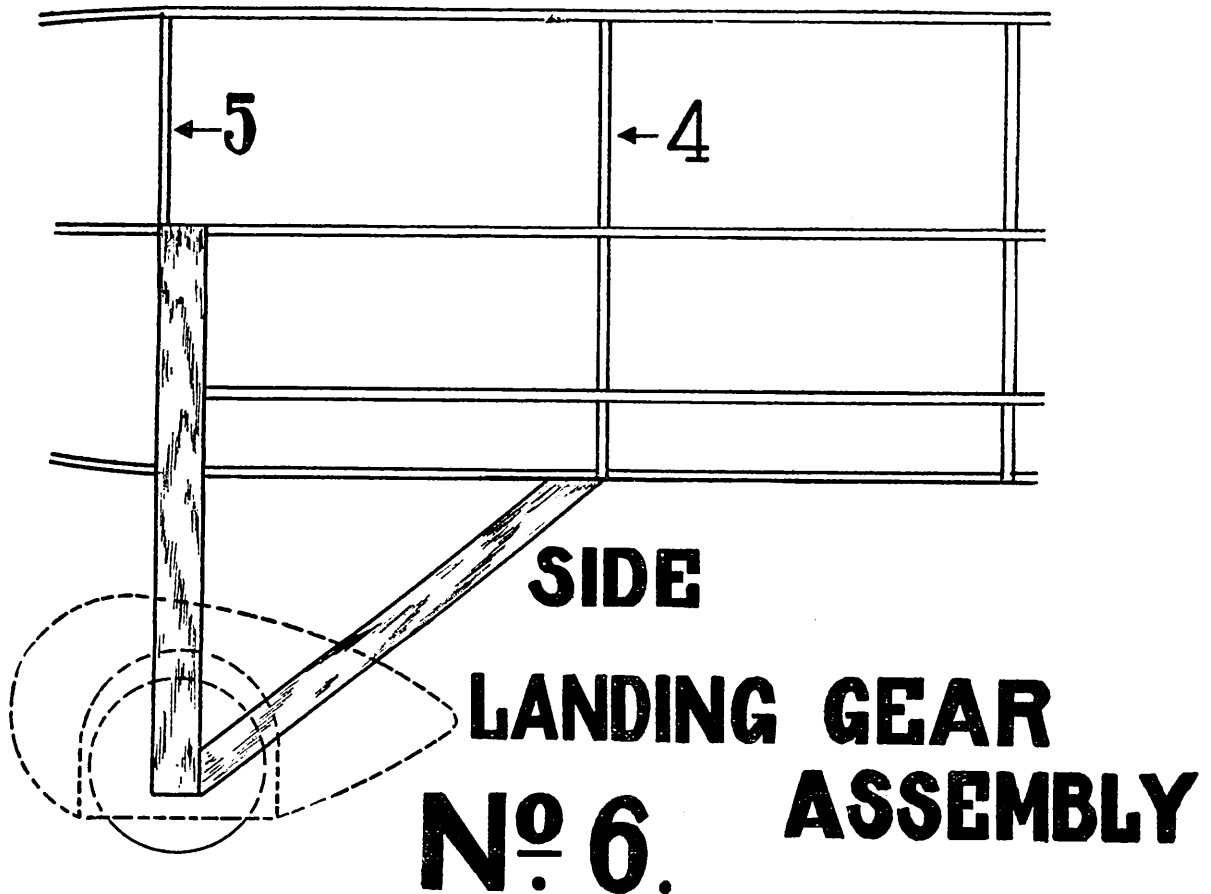
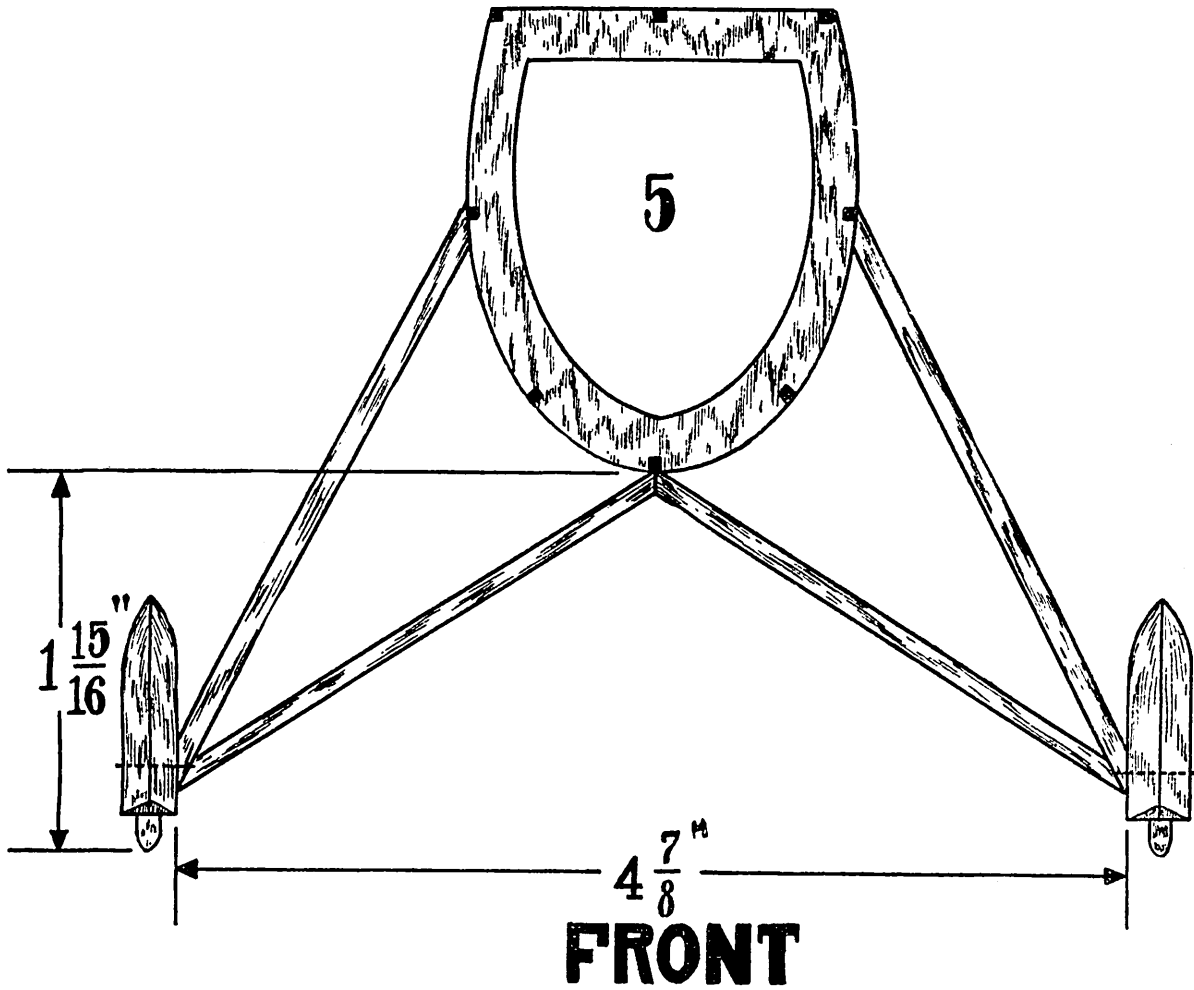
PANTS

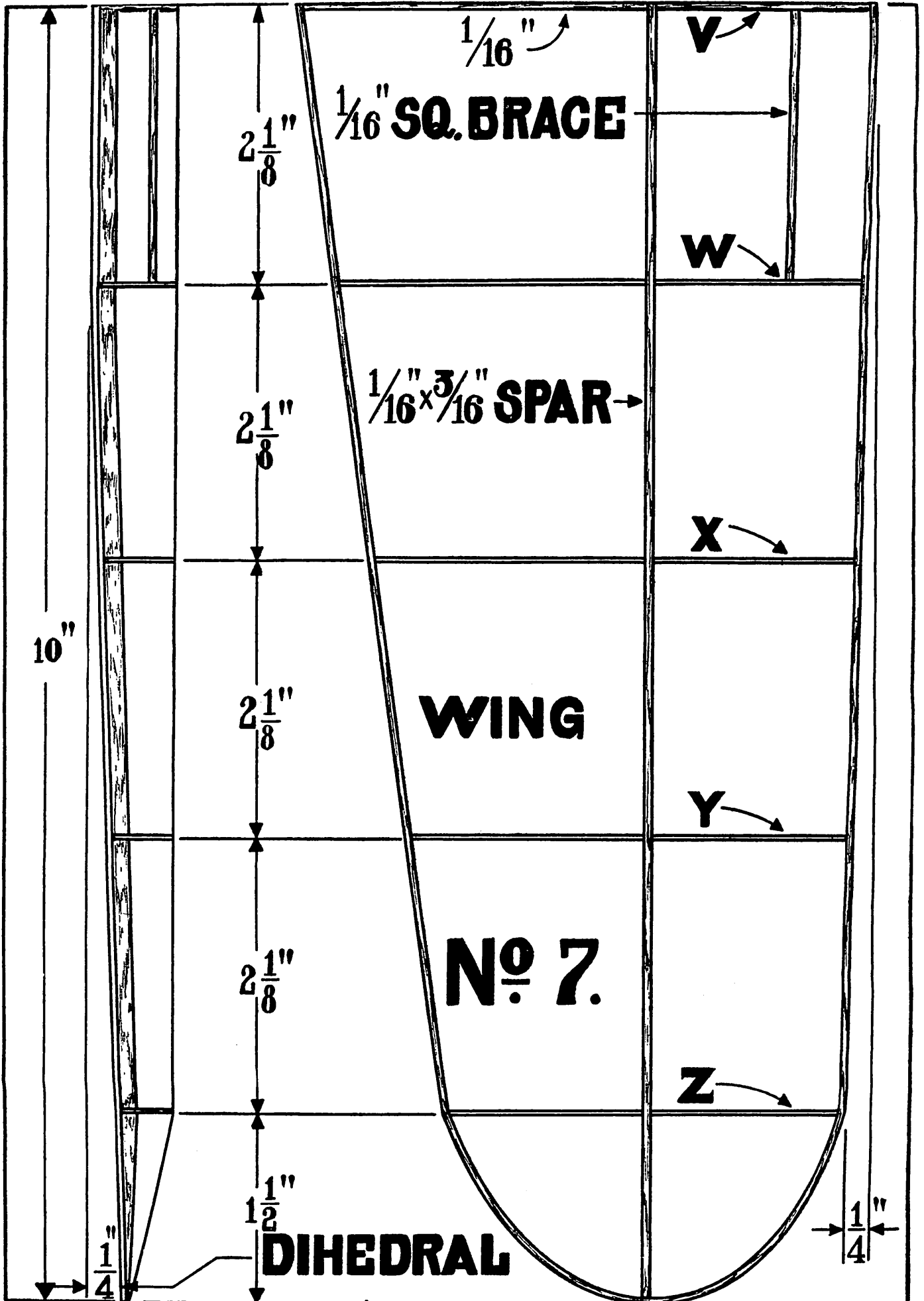
LANDING GEAR

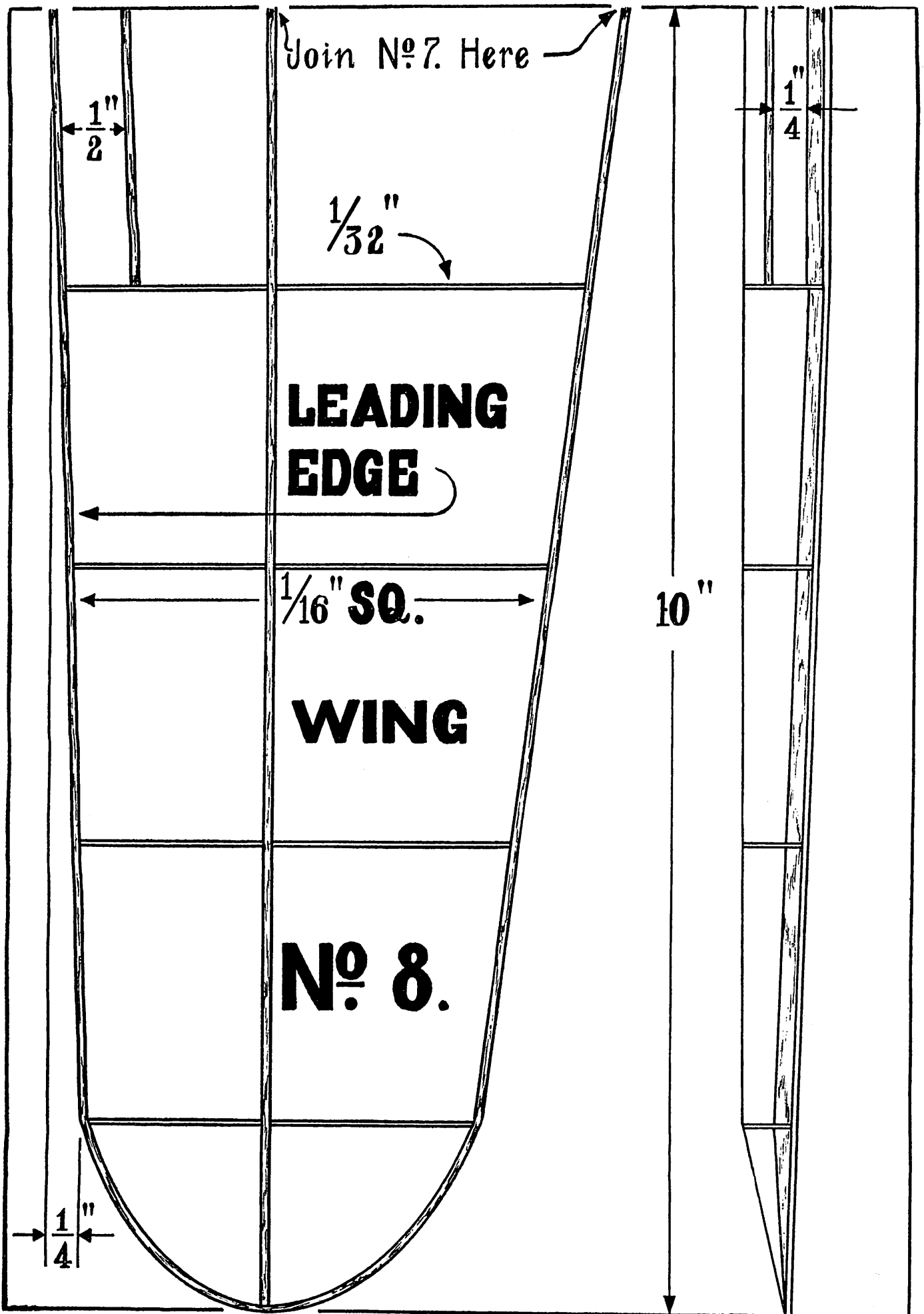


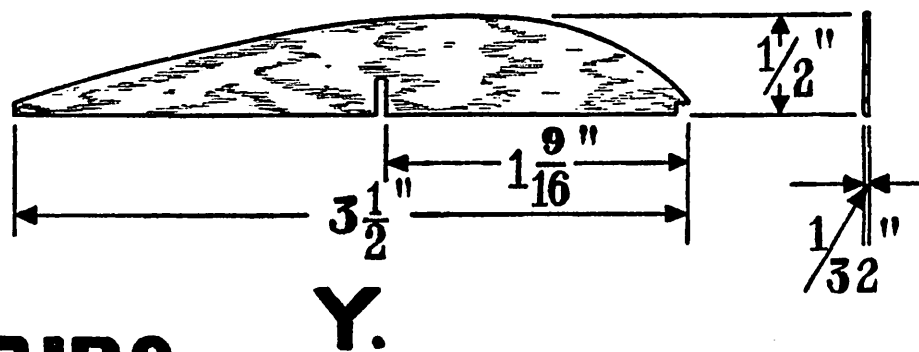
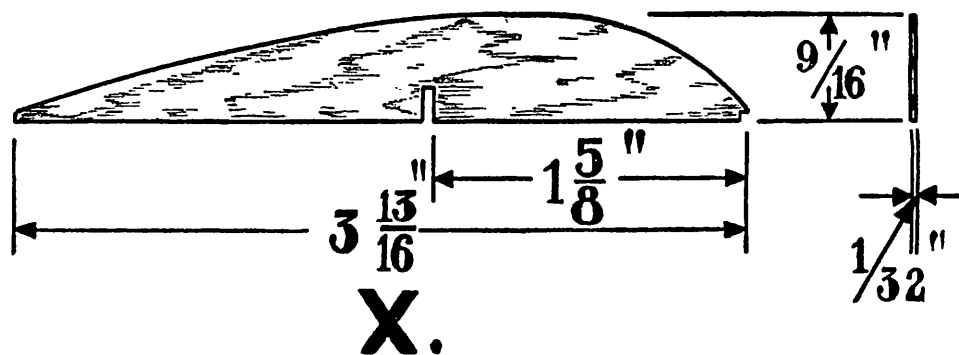
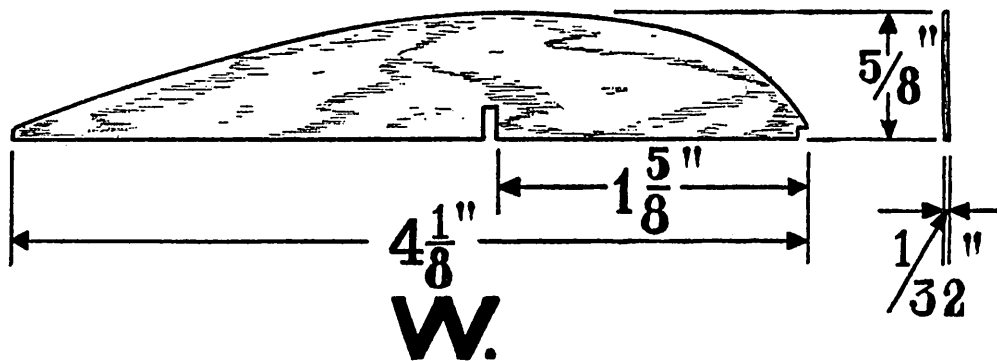
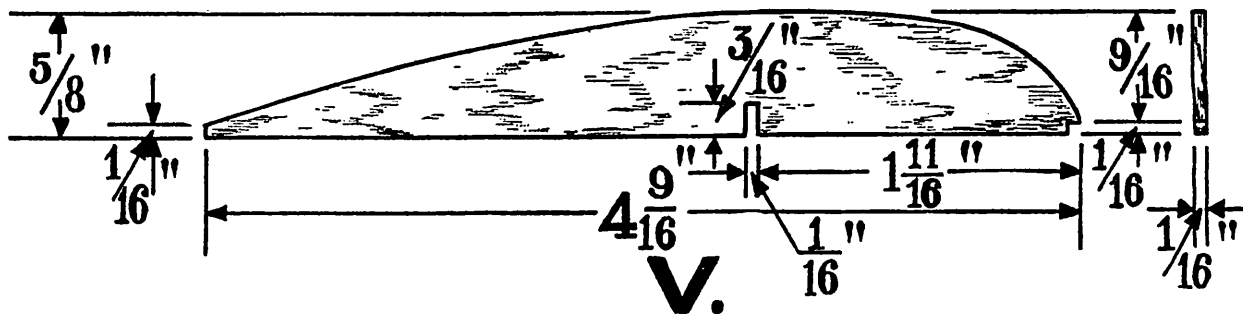
WHEEL

№ 5.



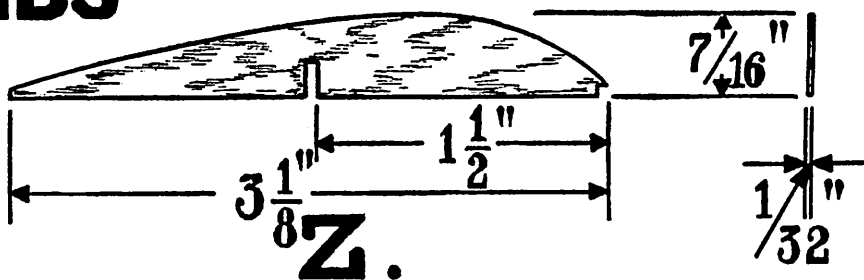


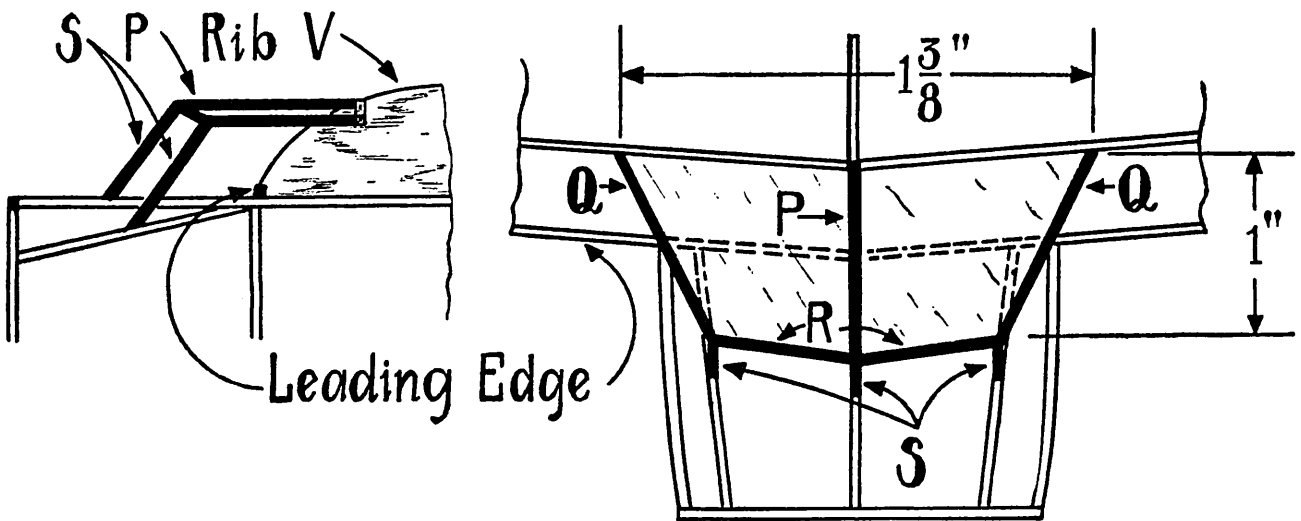




WING RIBS

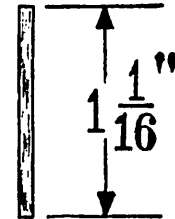
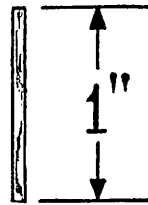
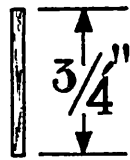
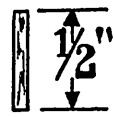
No. 9.





SIDE

TOP



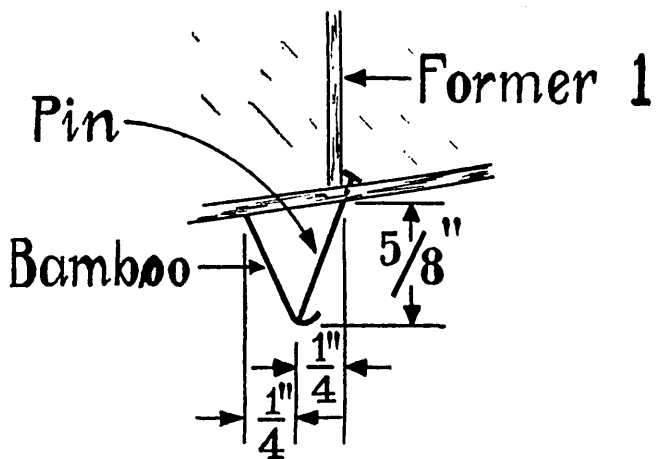
S

R

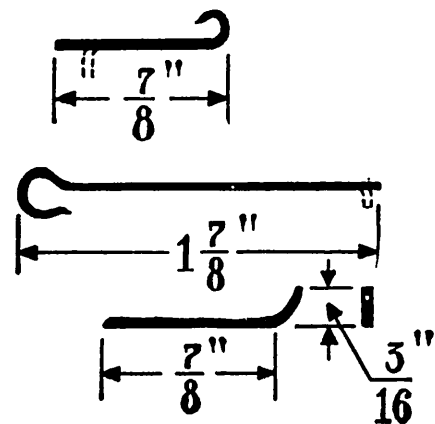
P

Q

CABIN RIBS

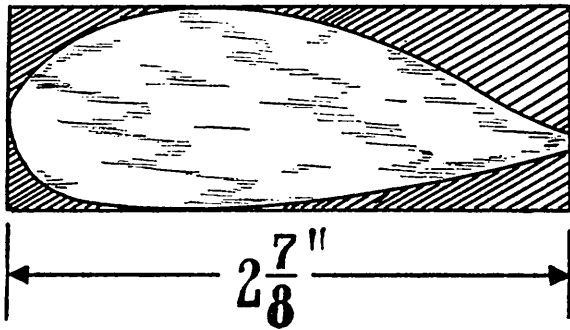


TAIL SKID

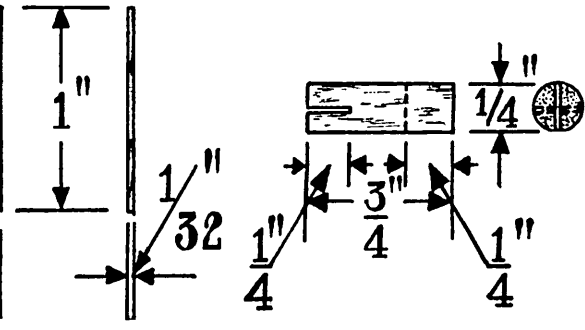


FITTINGS

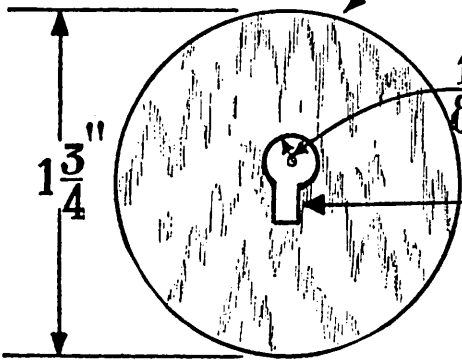
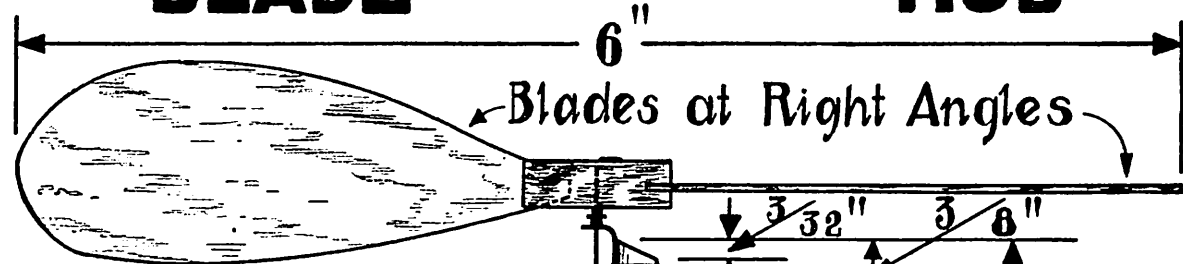
Nº 10.



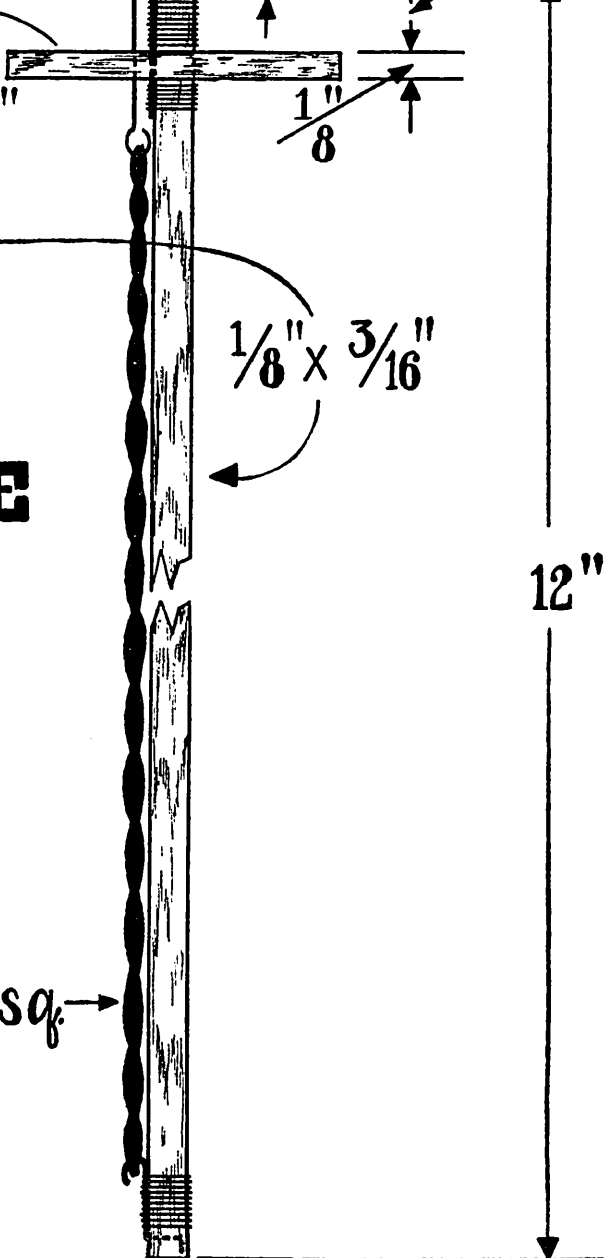
BLADE



HUB

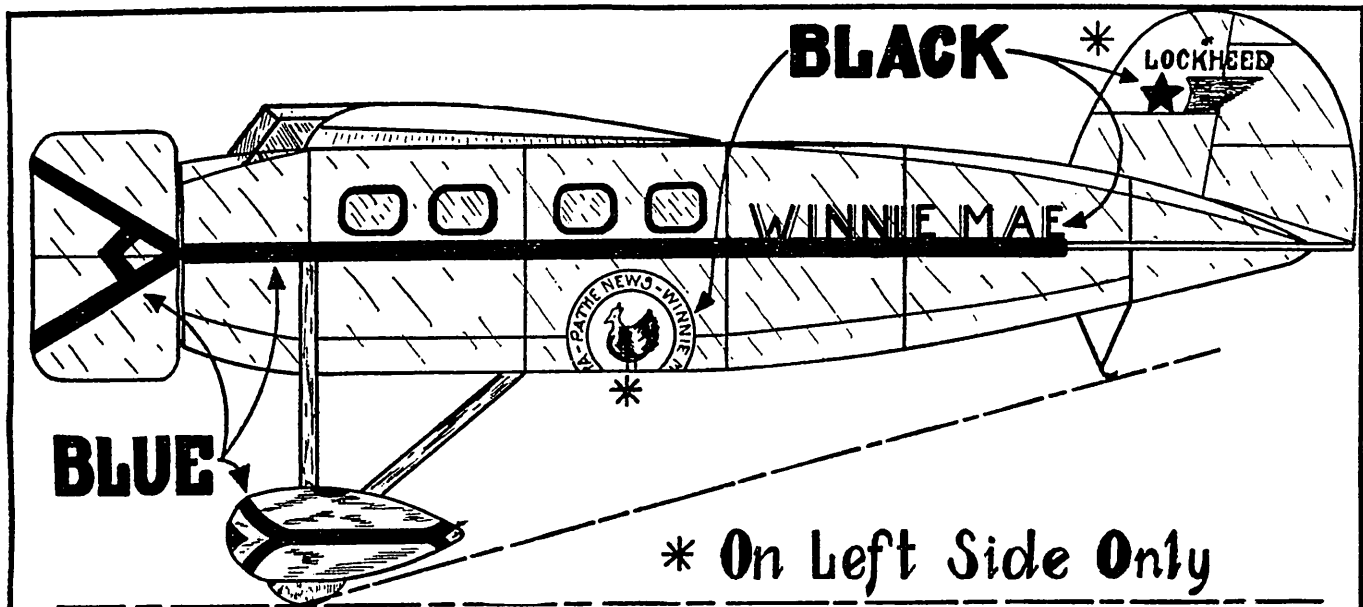


NOSE PLATE

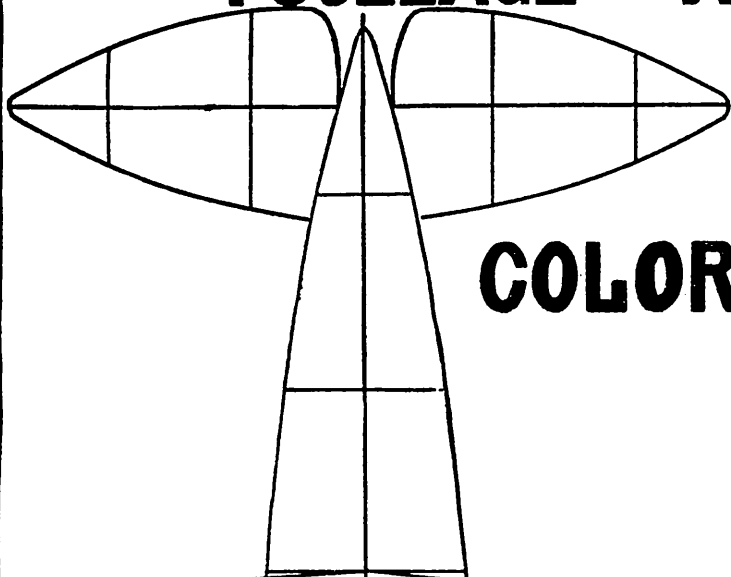


Six Strands $\frac{1}{16}$ " sq. →

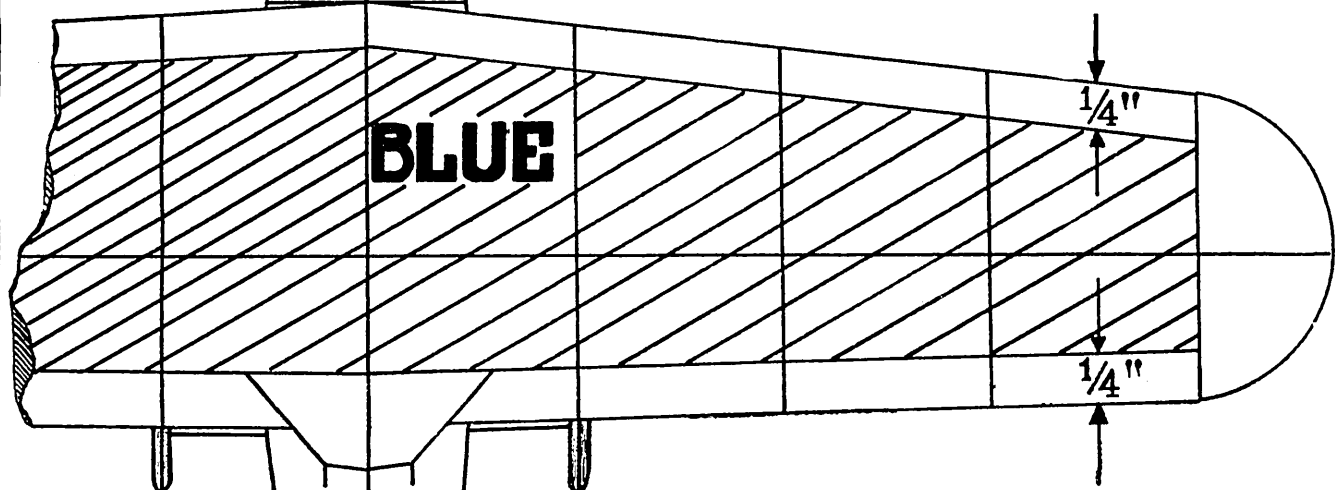
Nº 11.



FUSELAGE - WHITE



COLOR and MARKINGS



Nº 12.