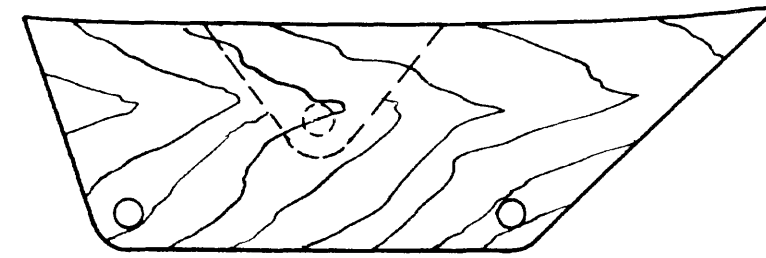


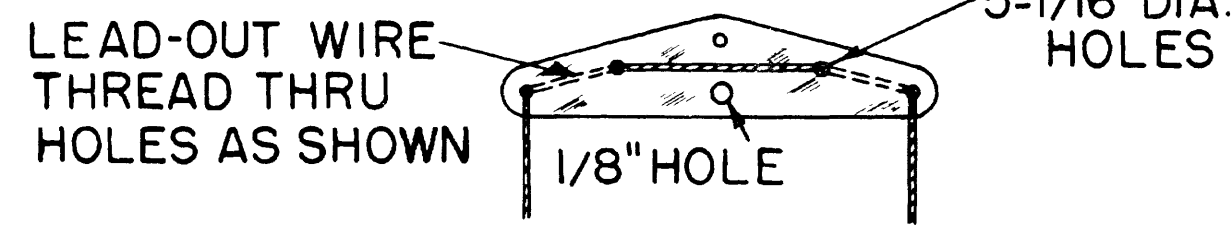
**WING TIP LINE GUIDE**

1/8" PLYWOOD  
USE DOTTED OUTLINE FOR MONOLINE



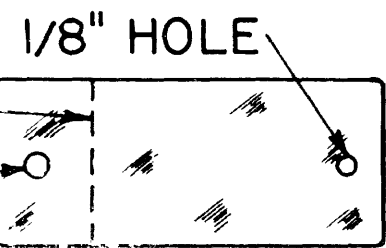
**BELLCRANK**

.064 DURAL



**FUSELAGE DOUBLER**

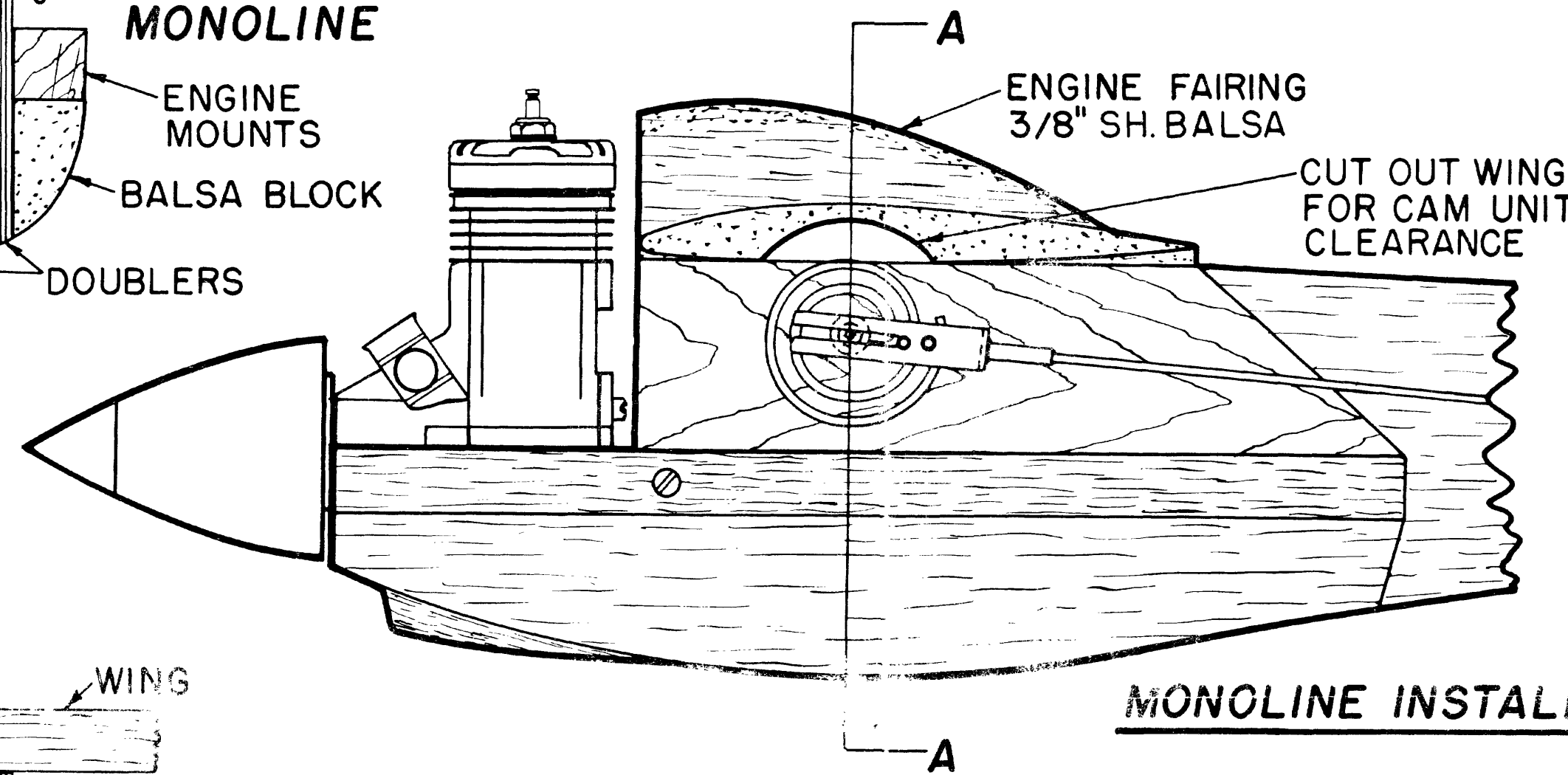
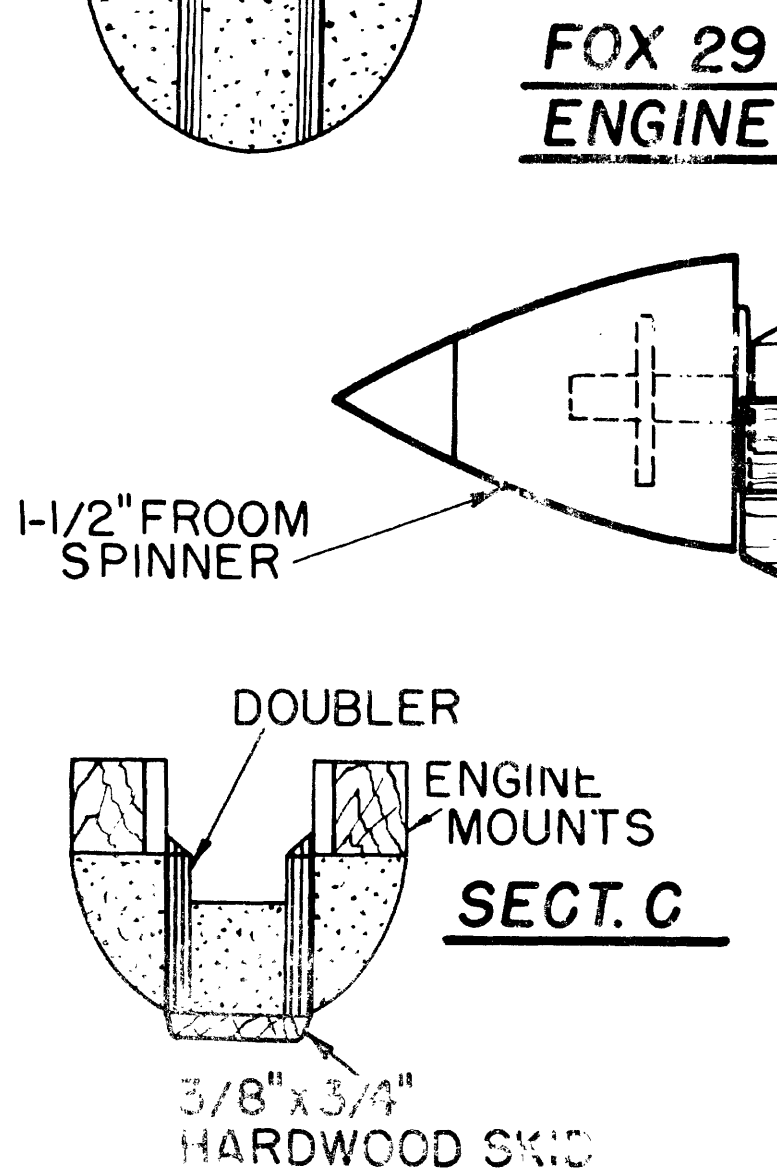
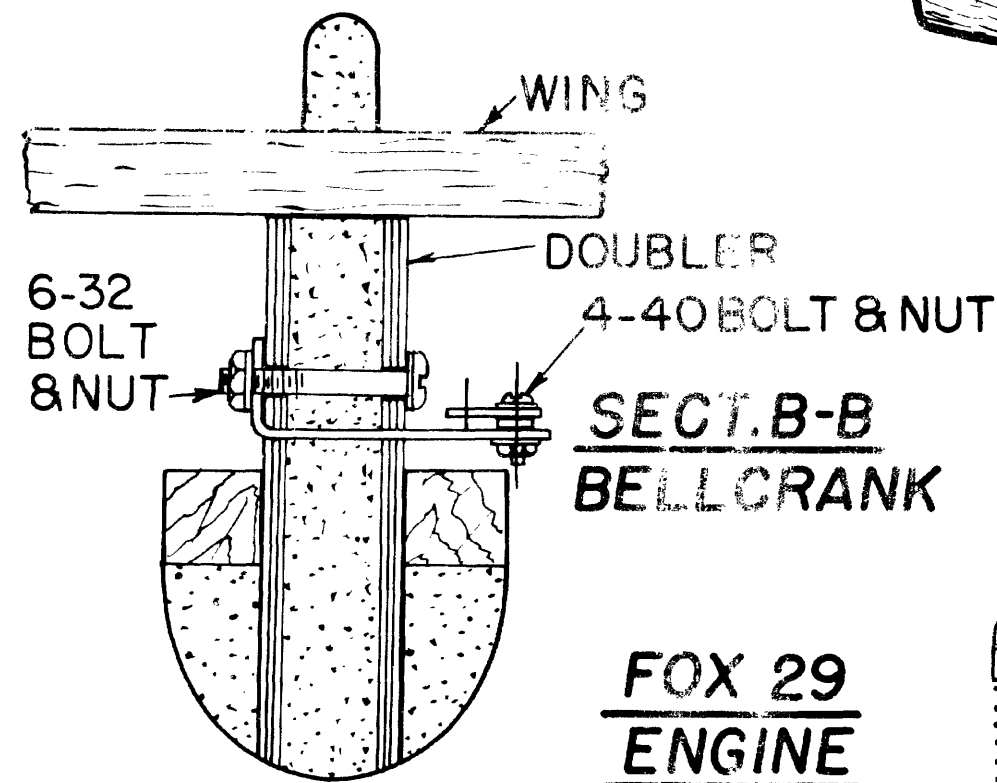
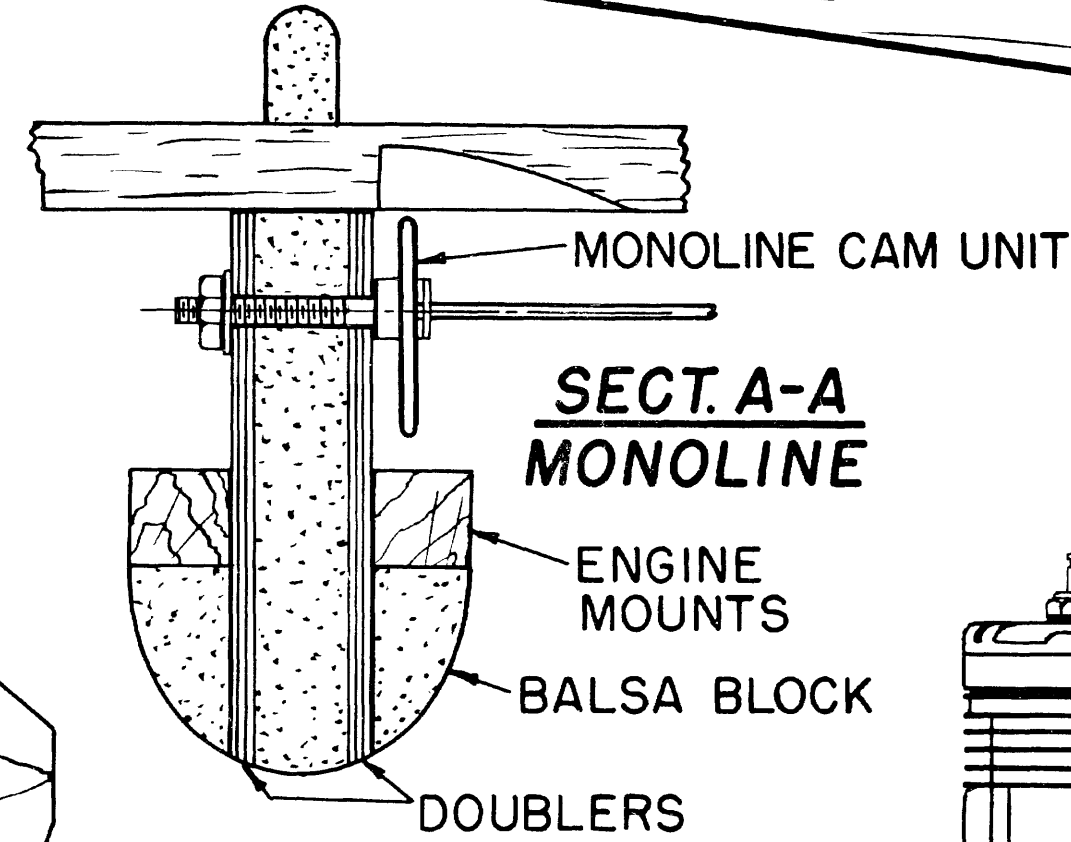
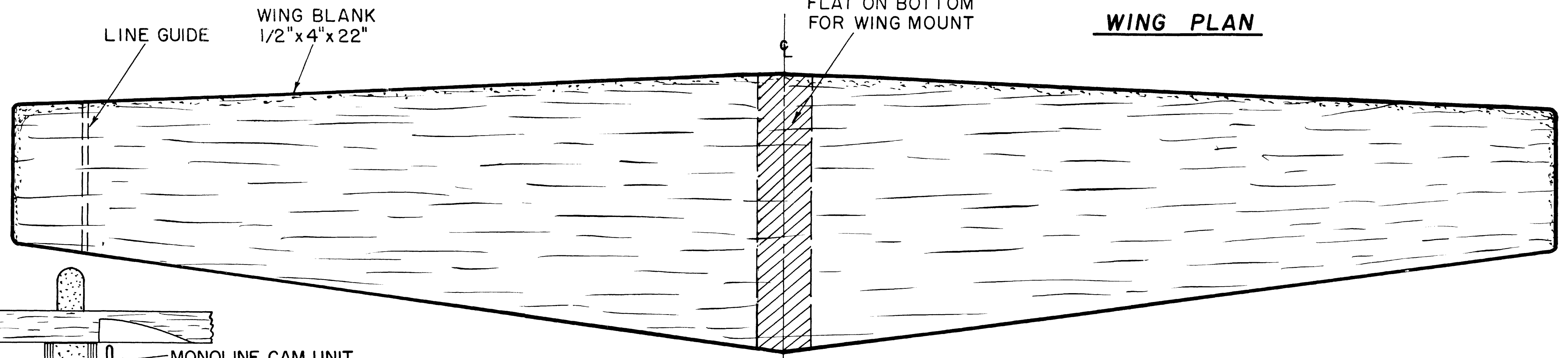
MAKE 2 OF  
1/8" PLYWOOD



**BELLCRANK SUPPORT**  
.064 DURAL

The Equalizer    The Quickie Trainer    The Amazoom

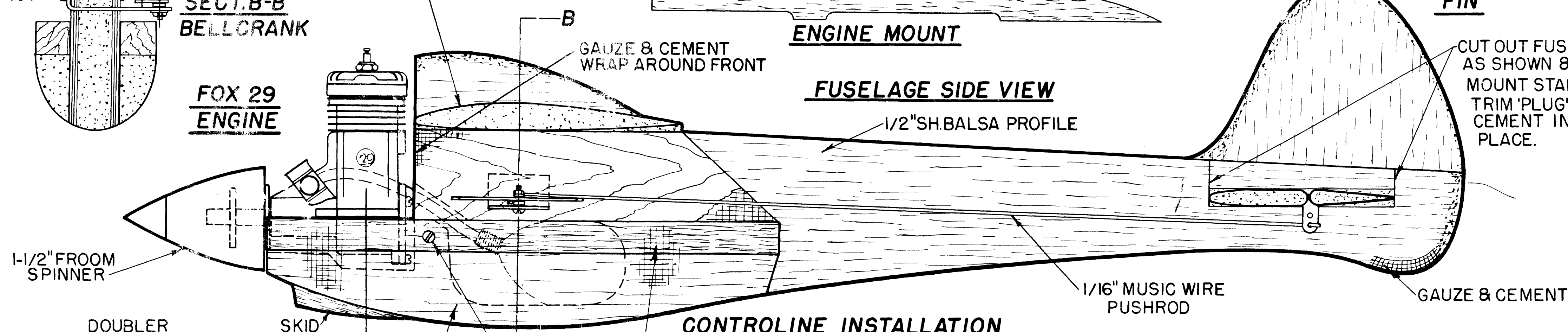
from  
**MODEL AIRPLANE NEWS**  
551 FIFTH AVENUE • NEW YORK 17, N. Y.



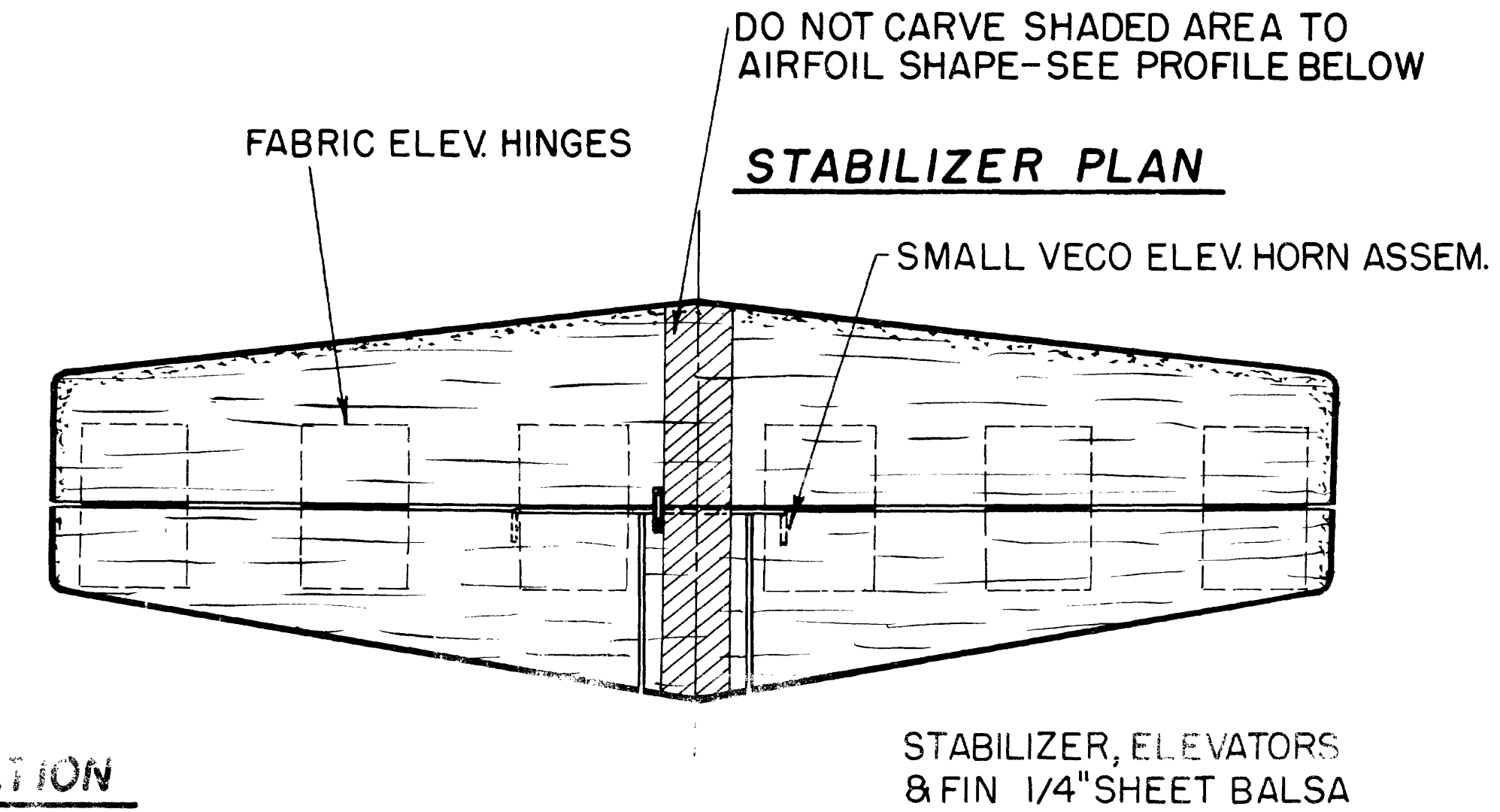
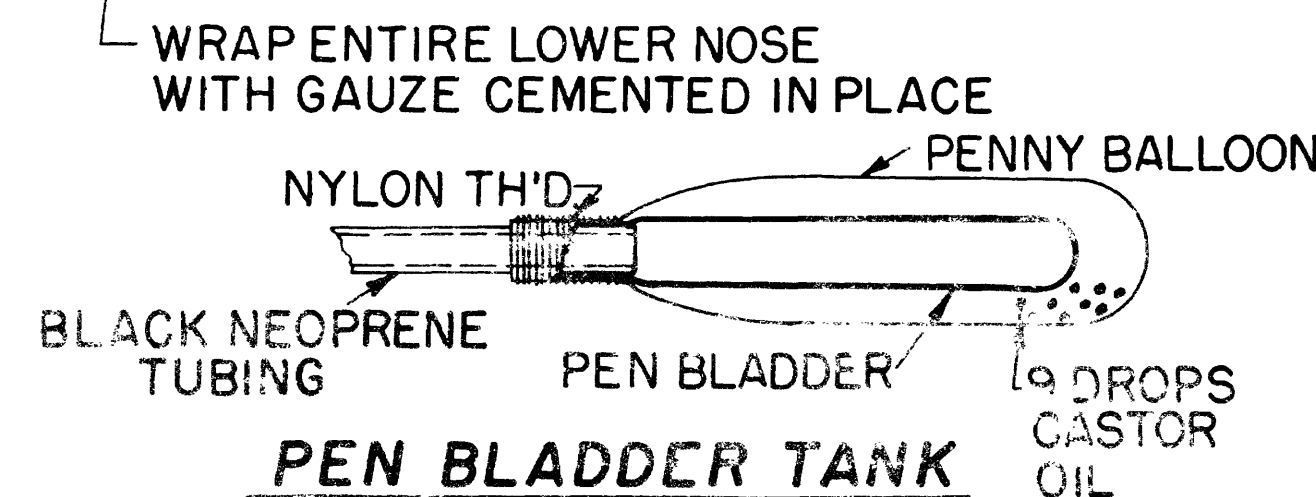
**MONOLINE INSTALLATION**



**FUSELAGE SIDE VIEW**



**CONTROLINE INSTALLATION**



LEO HOLLIDAY'S  
**QUICKIE TRAINER**

DRAWN BY *Leo Holliday*