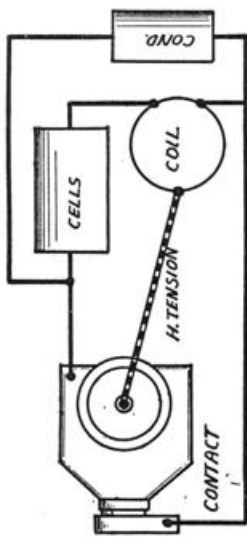
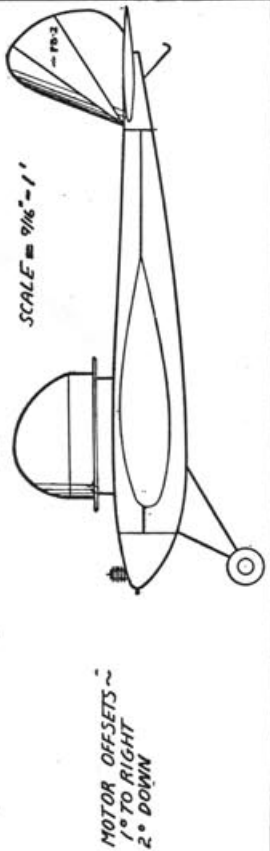
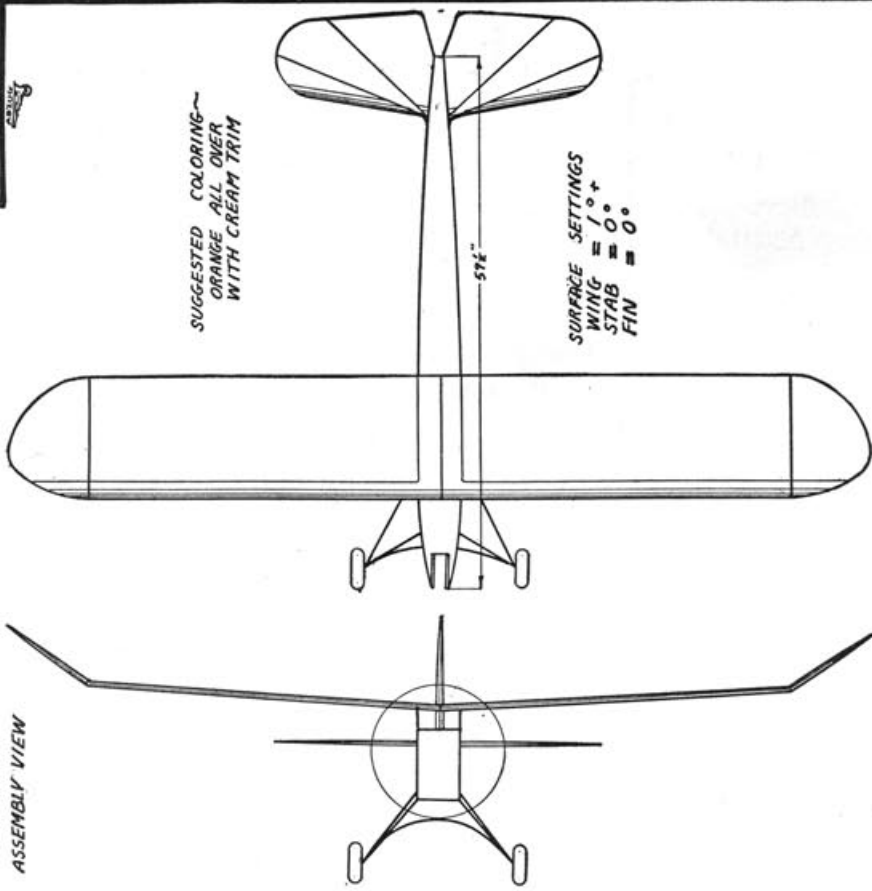
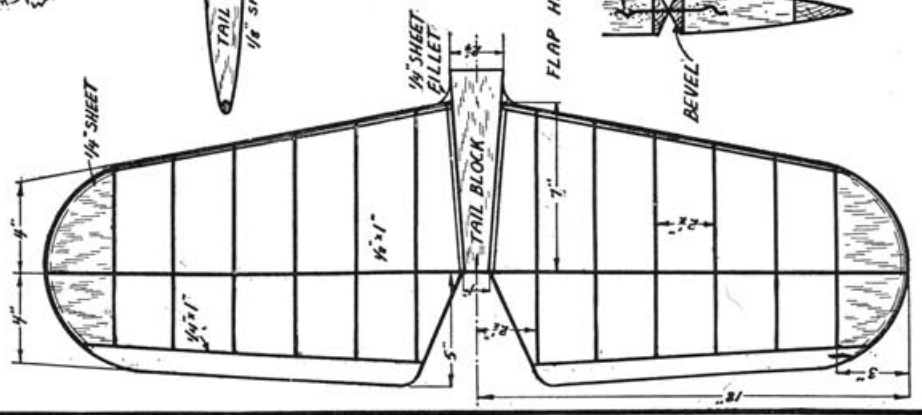
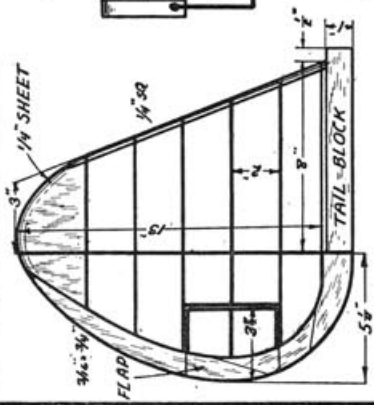
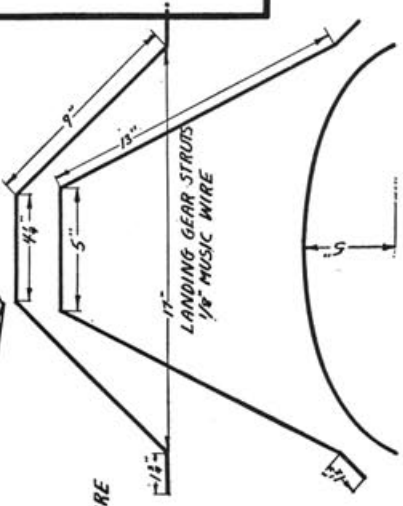
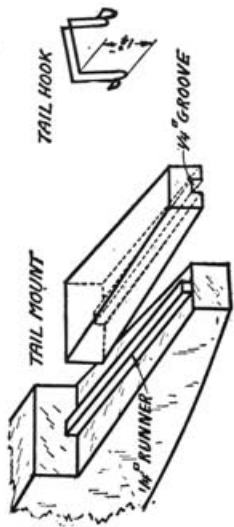
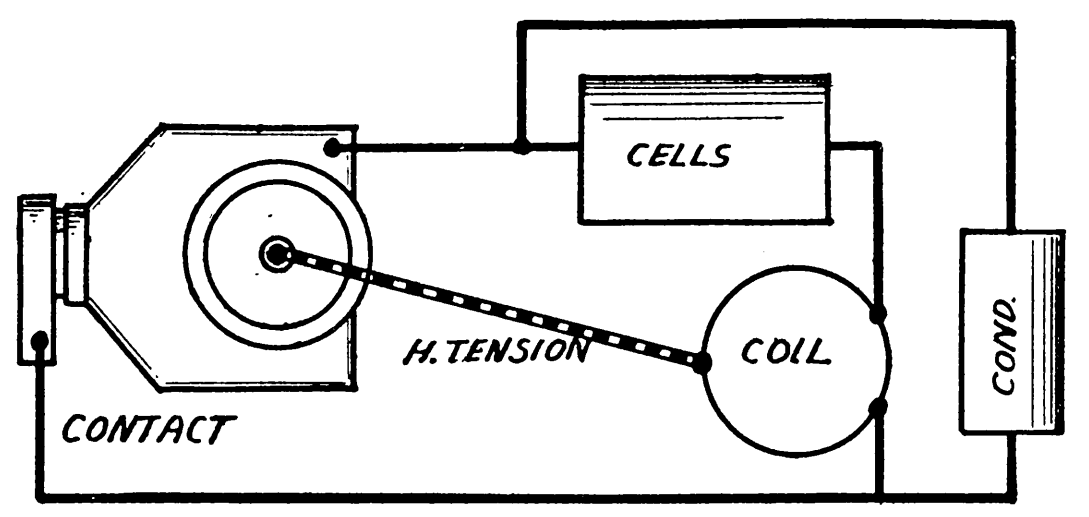
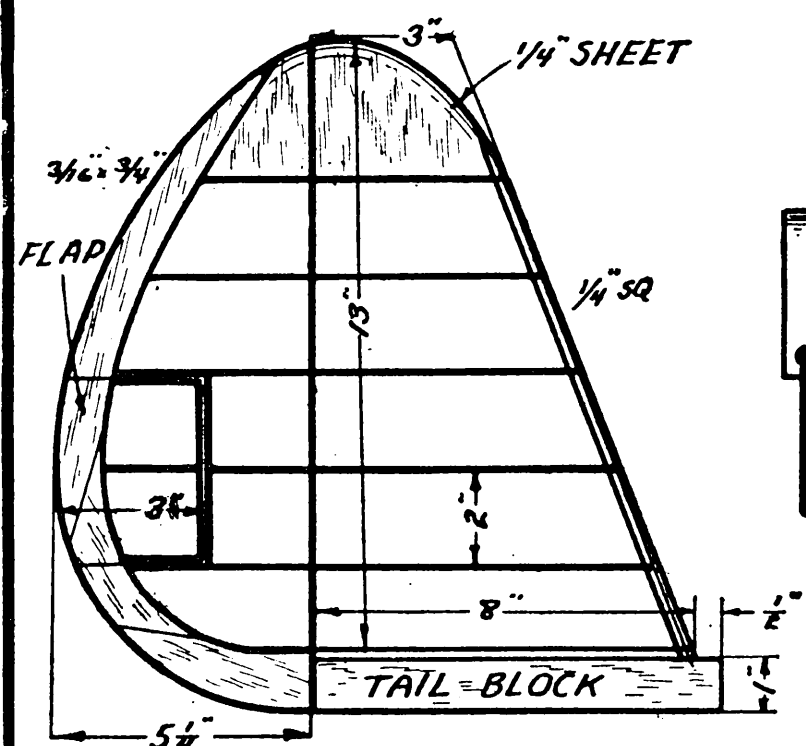


SCALE - 1/8" = 1"
PLATE - I

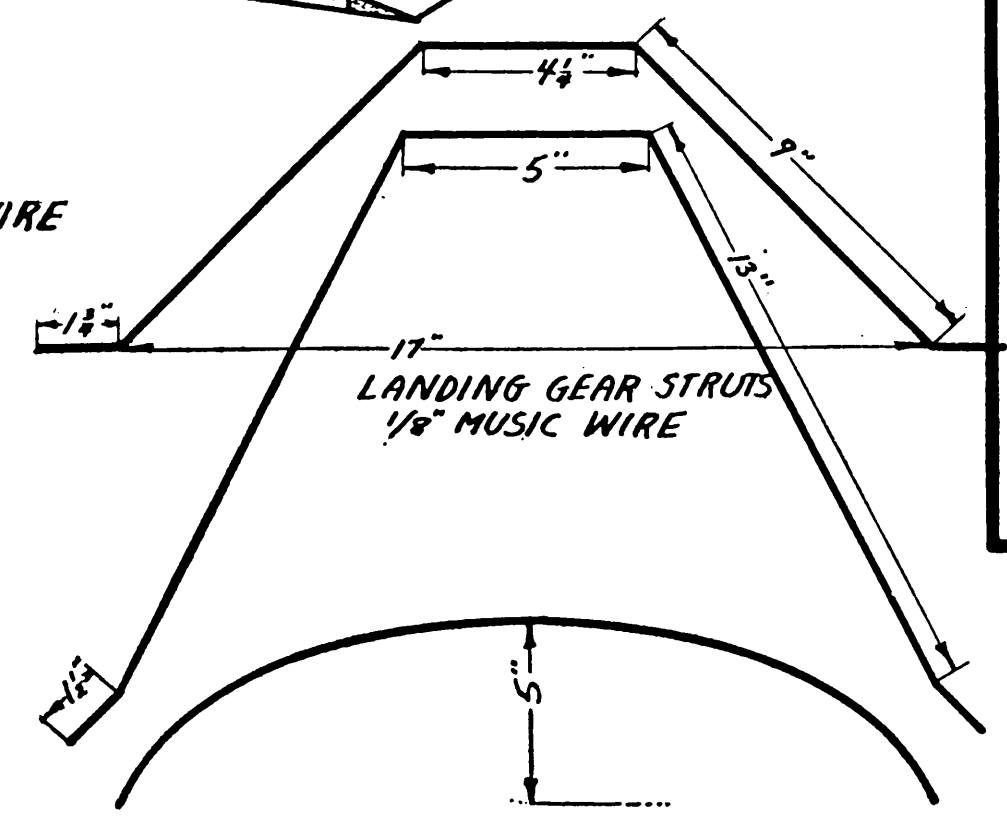
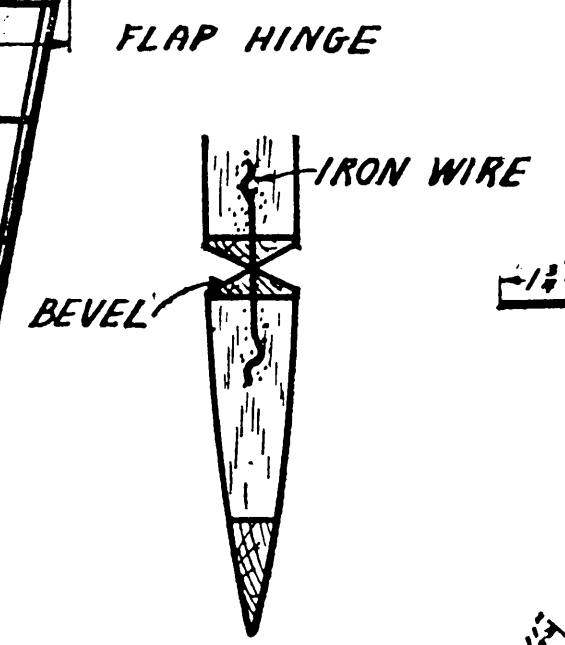
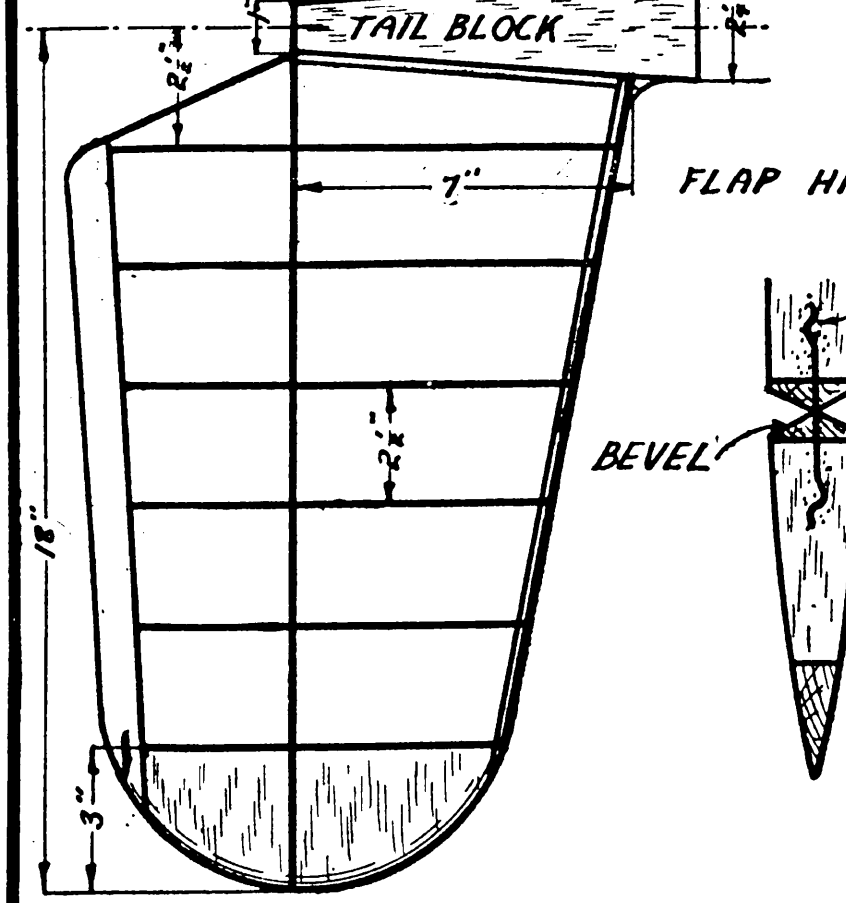
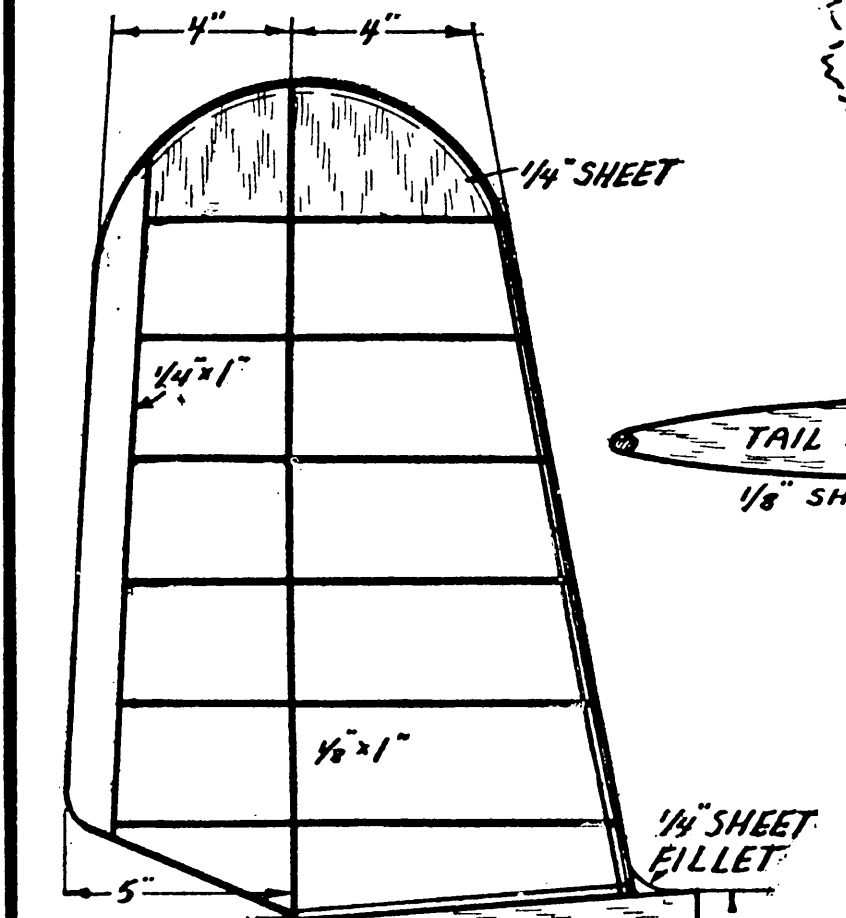
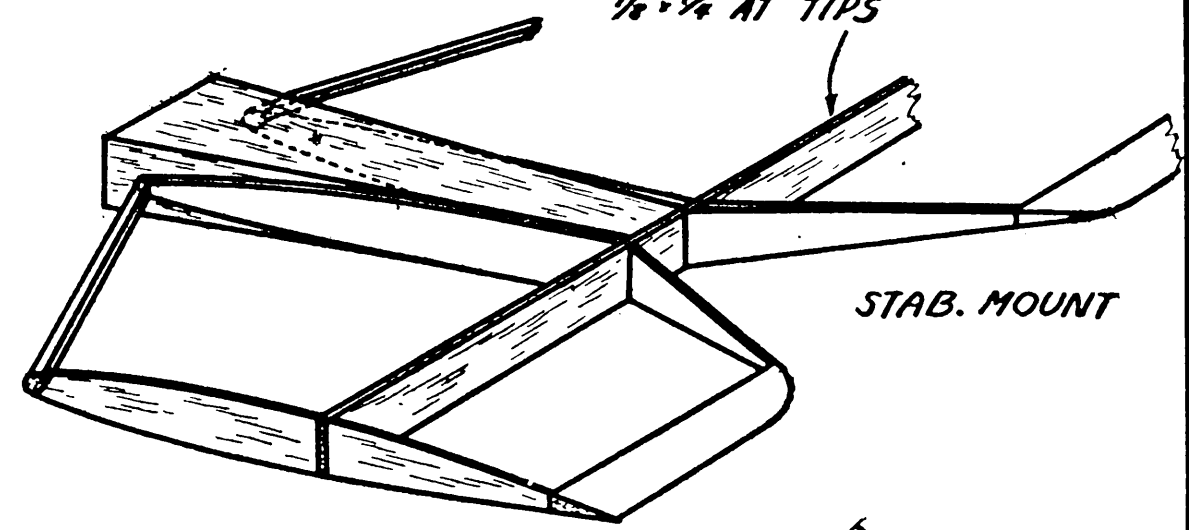
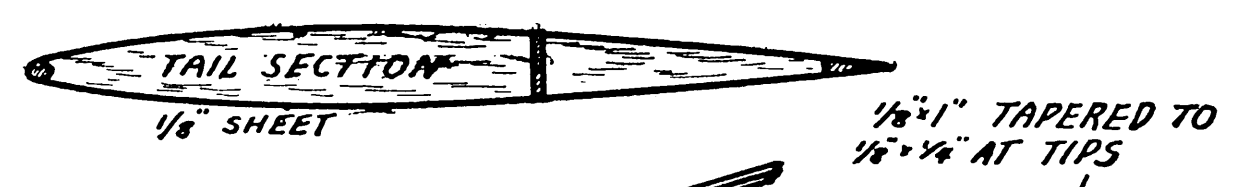
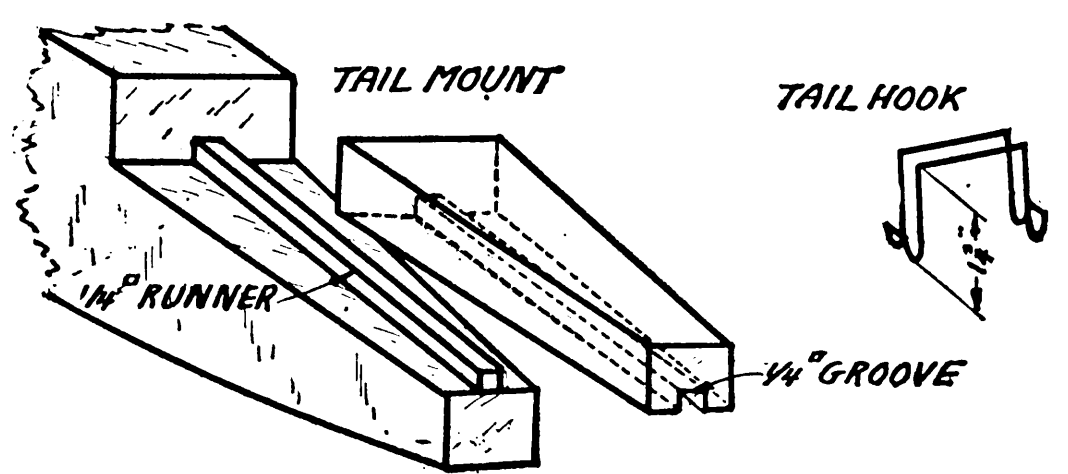


WIRING CIRCUIT

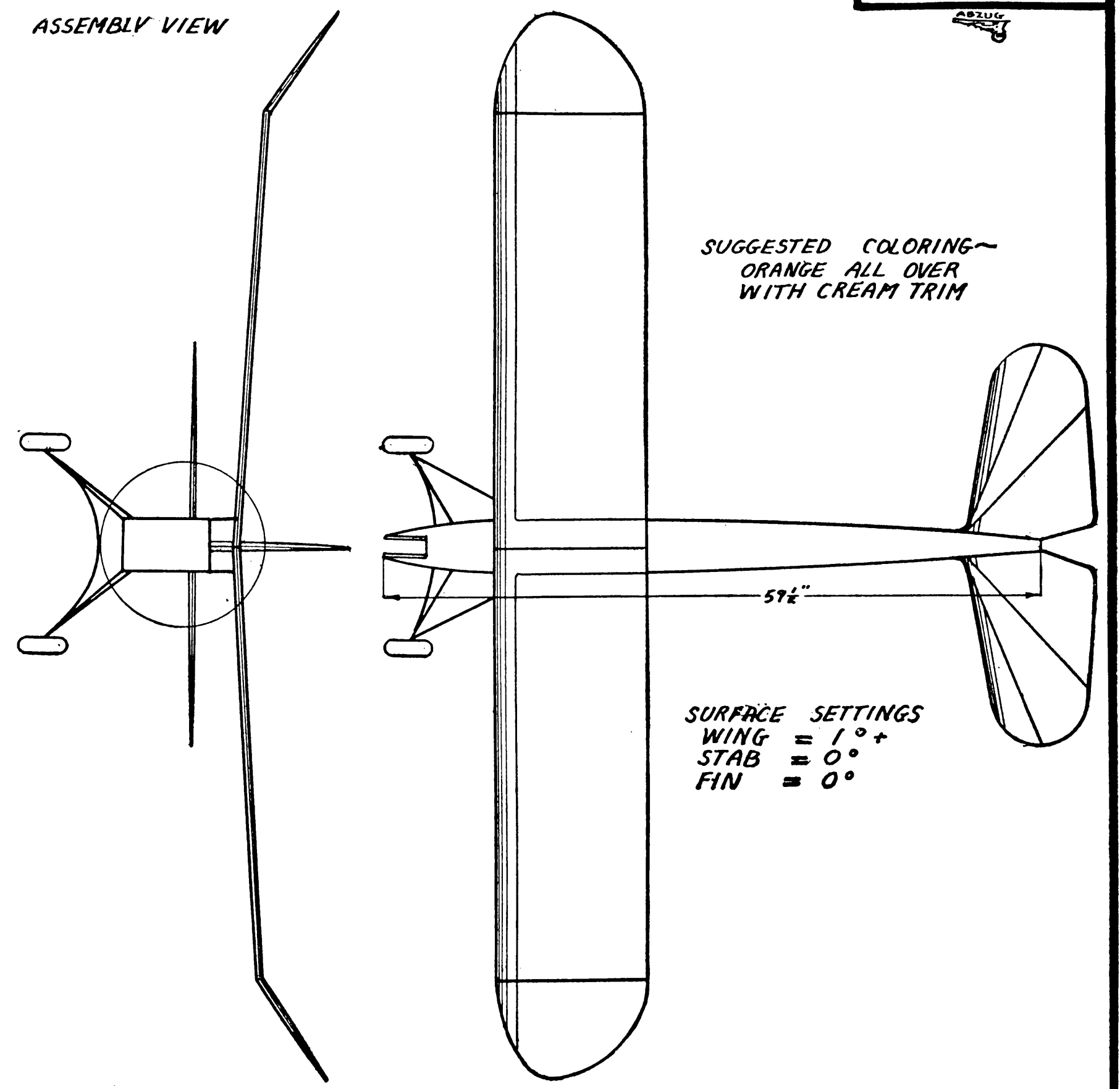




WIRING CIRCUIT



ASSEMBLY VIEW



SUGGESTED COLORING~
ORANGE ALL OVER
WITH CREAM TRIM

SURFACE SETTINGS
WING = 1°+
STAB = 0°
FIN = 0°

SCALE = 9/16" = 1'

MOTOR OFFSETS ~
1° TO RIGHT
2° DOWN

