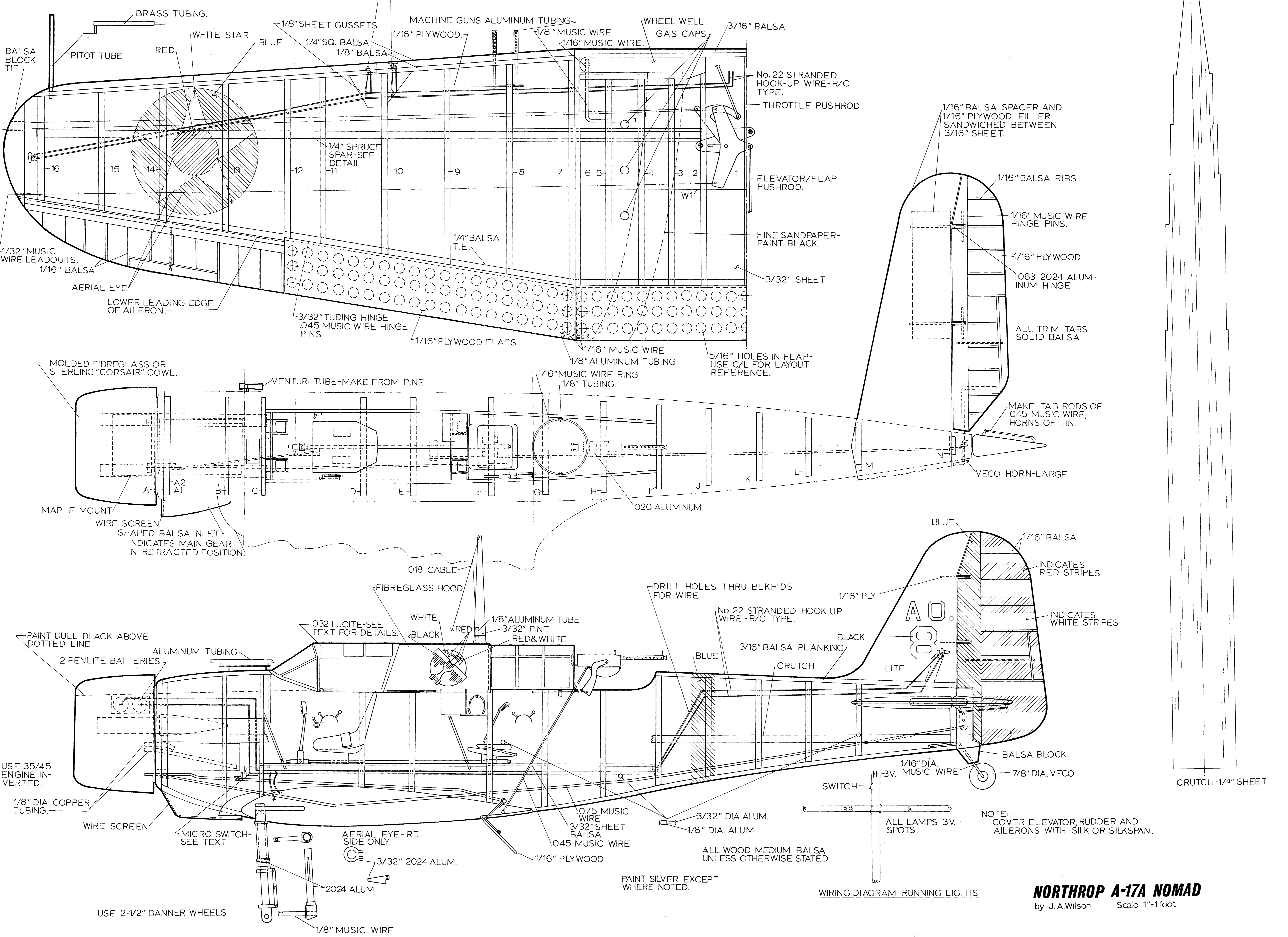
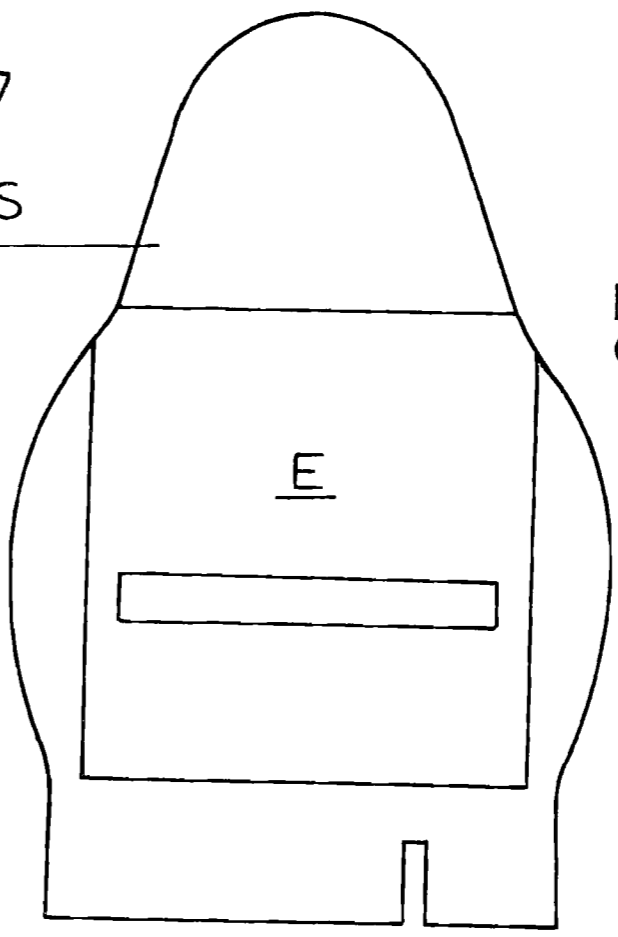
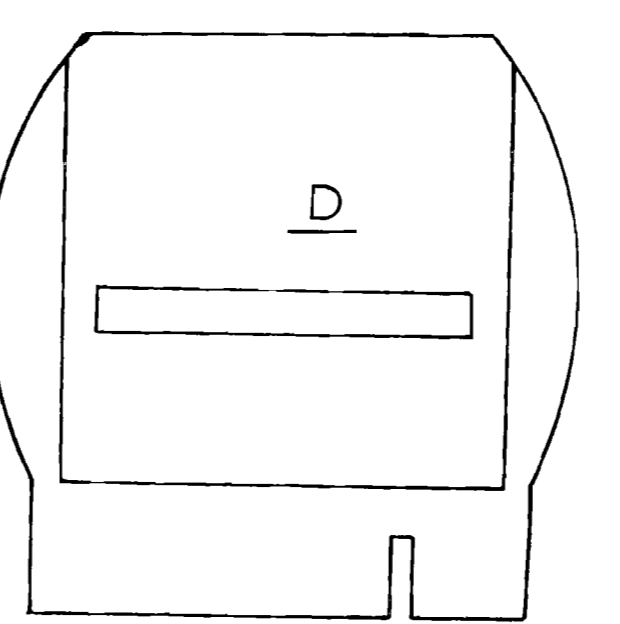
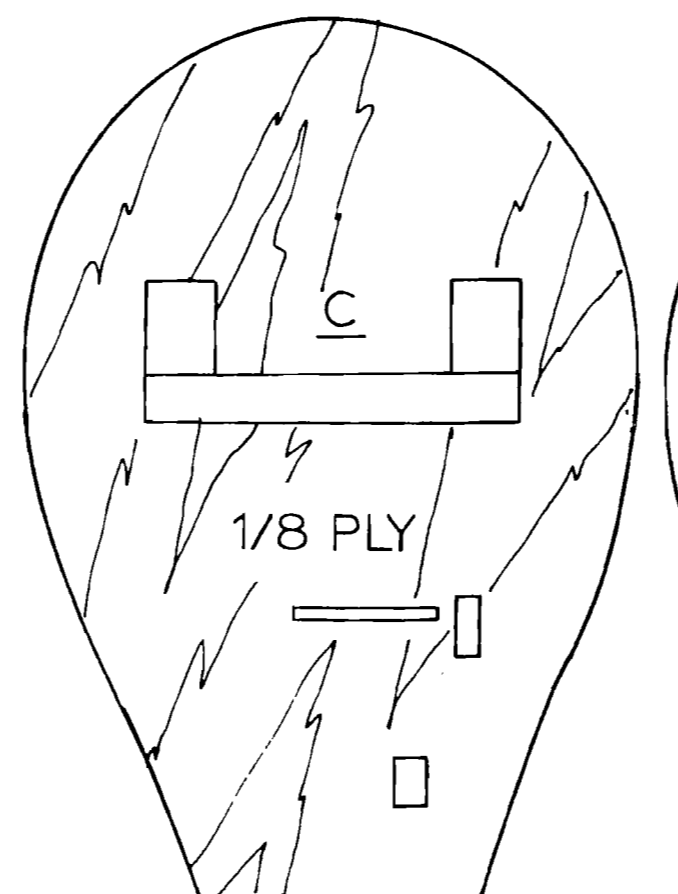
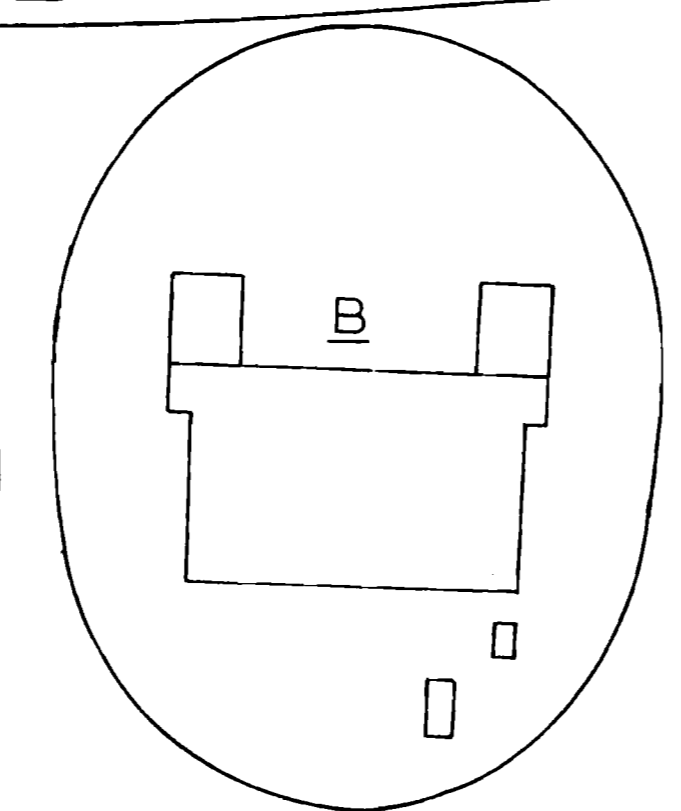
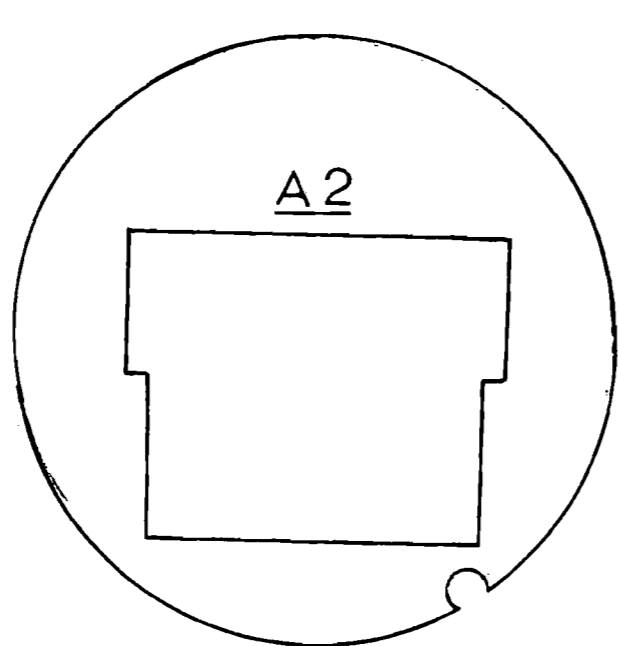
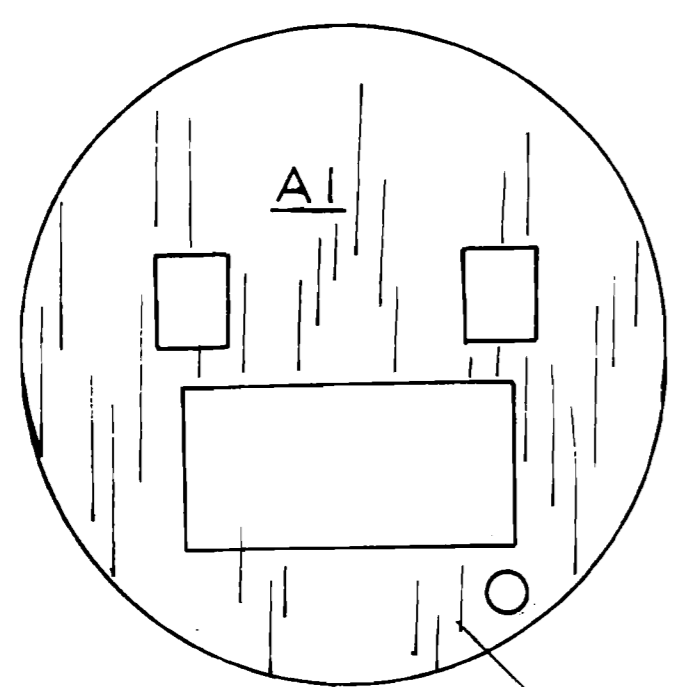
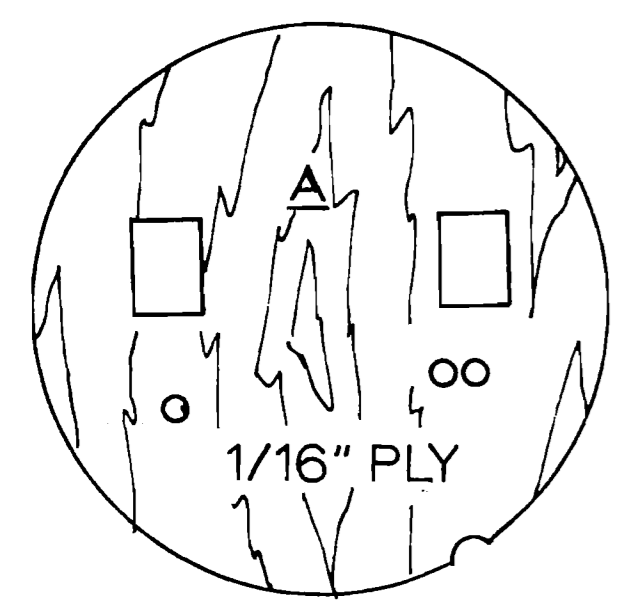
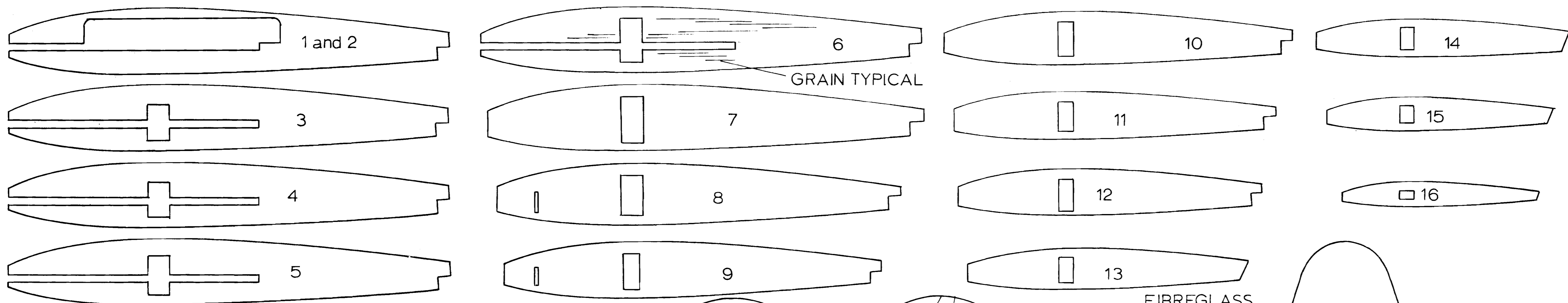


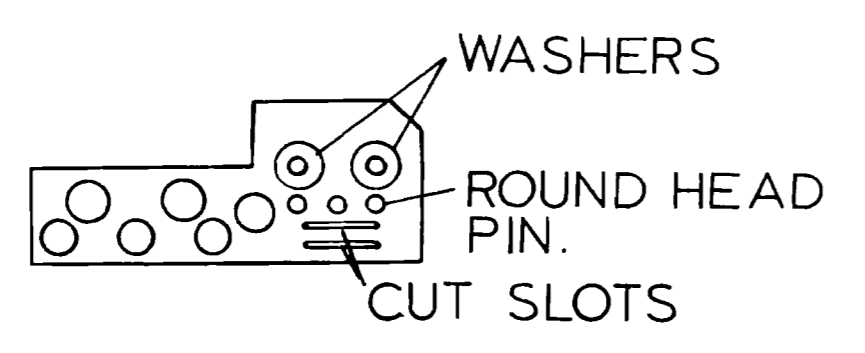
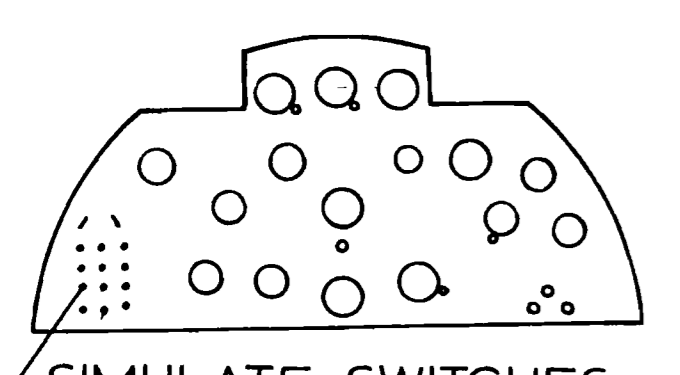
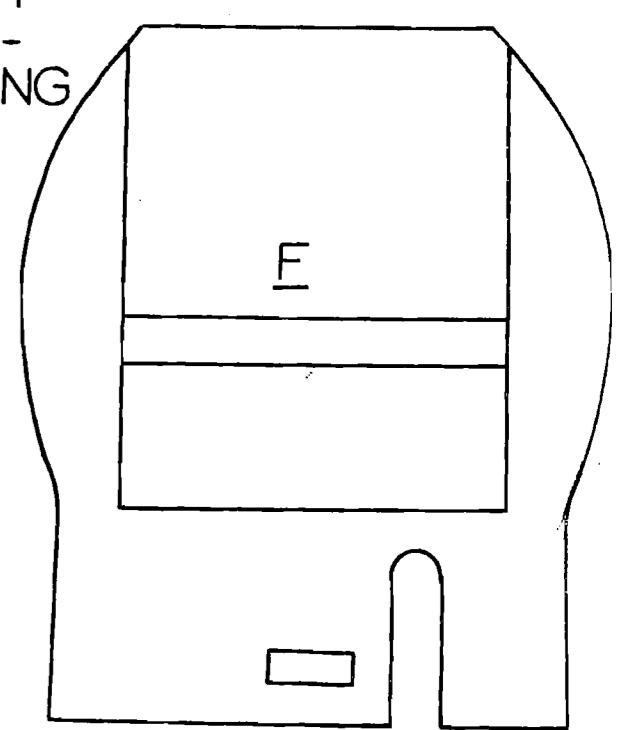
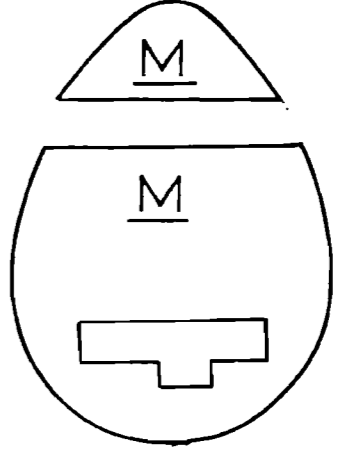
NOTE: ALL WING RIBS 3/16" SHEET.
 LANDING LIGHT. POSITION LIGHT-LEFT WING ONLY. HOLD LANDING GEAR WITH "J" BOLTS etc.



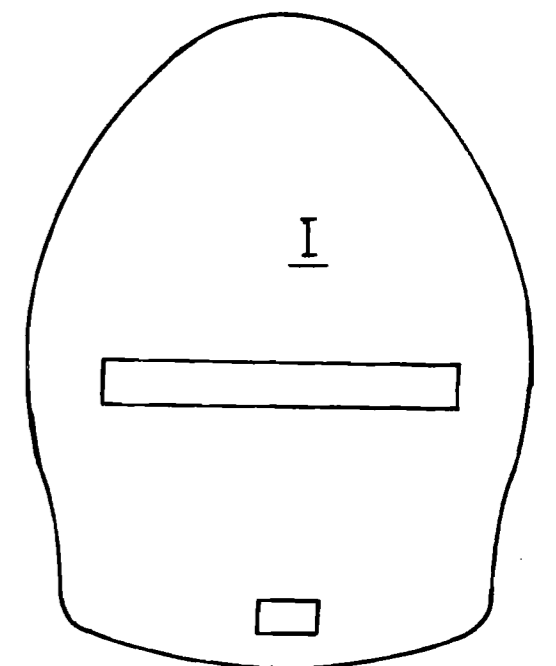
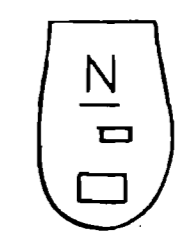
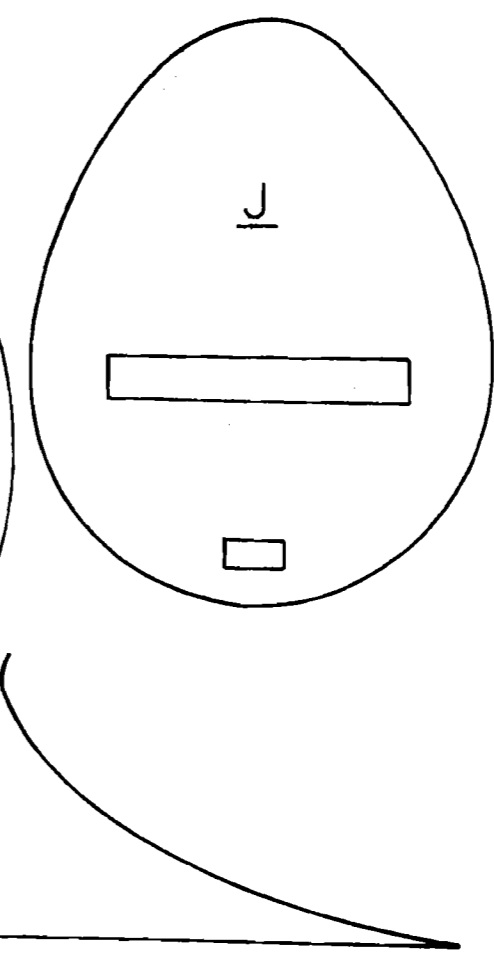
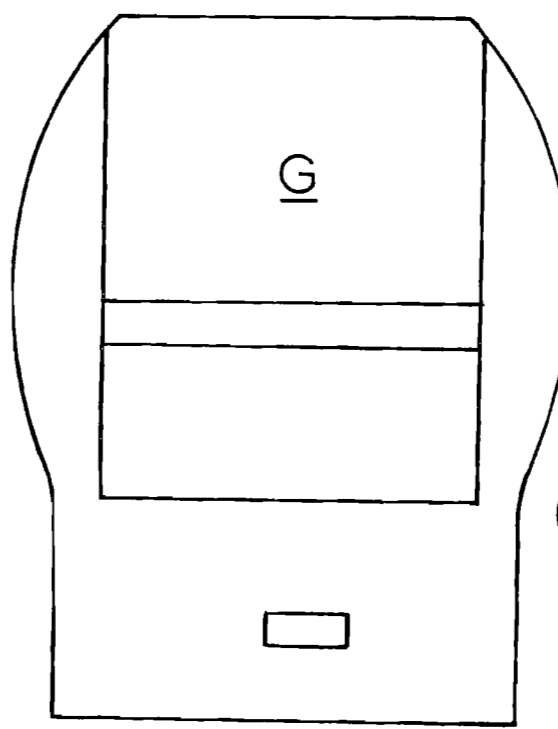
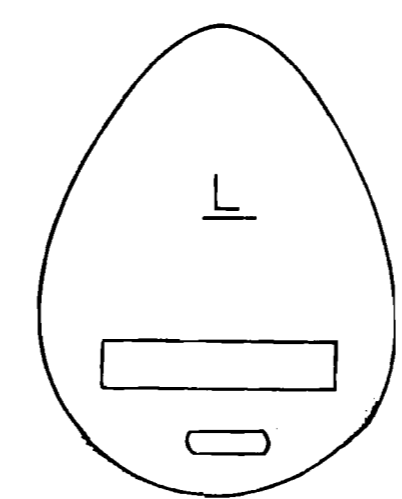
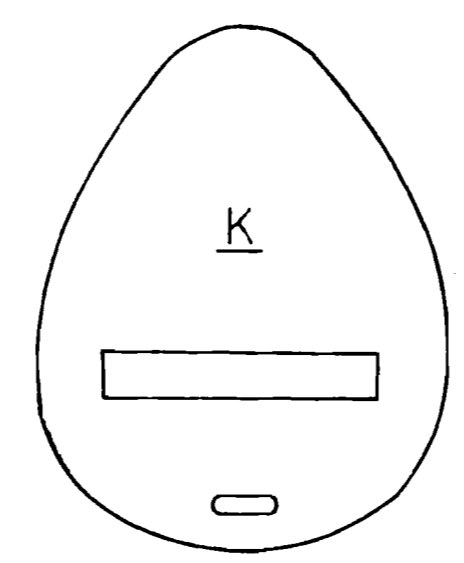
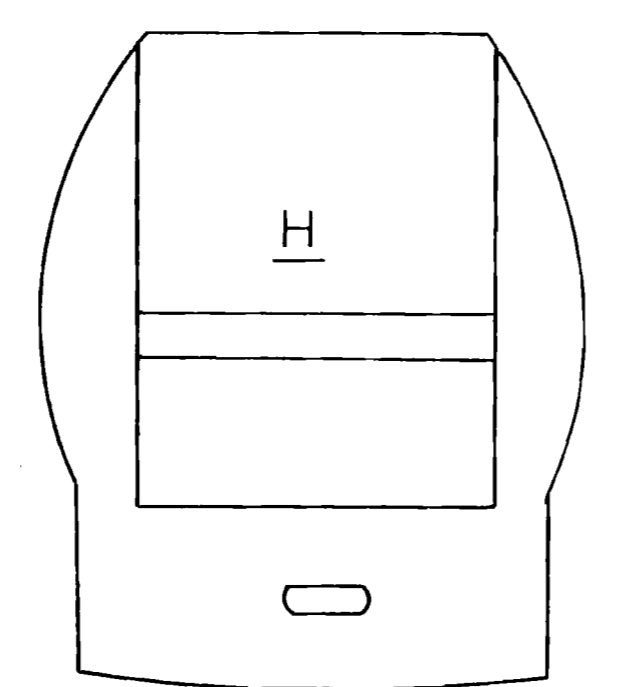
NORTHROP A-17A NOMAD
 by J.A.Wilson Scale 1"=1 foot



BLKD'S D THRU H CUT OUT CENTER AND GLUE BACK- REMOVE AFTER PLANKING FUSELAGE.

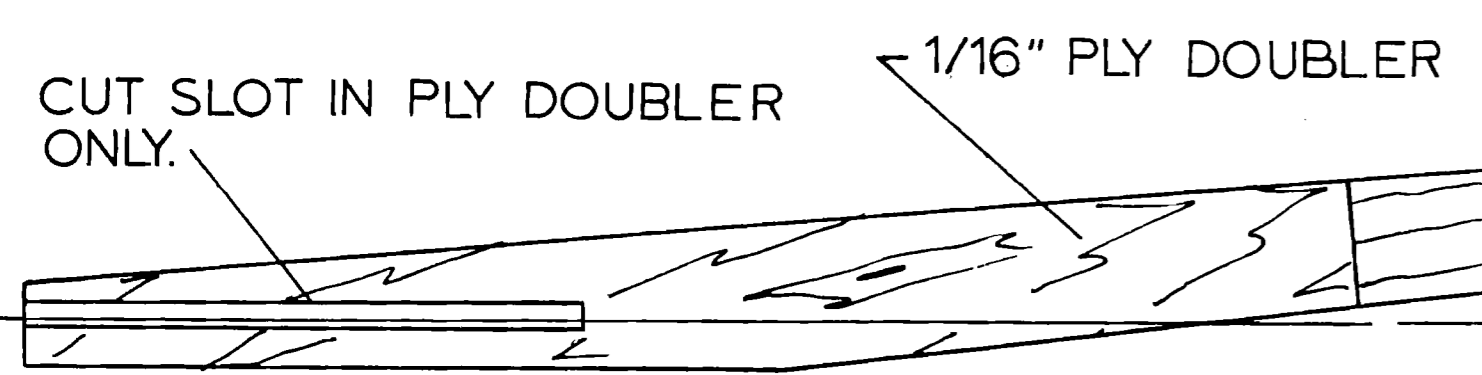


TATONE OR SIMILAR DIALS



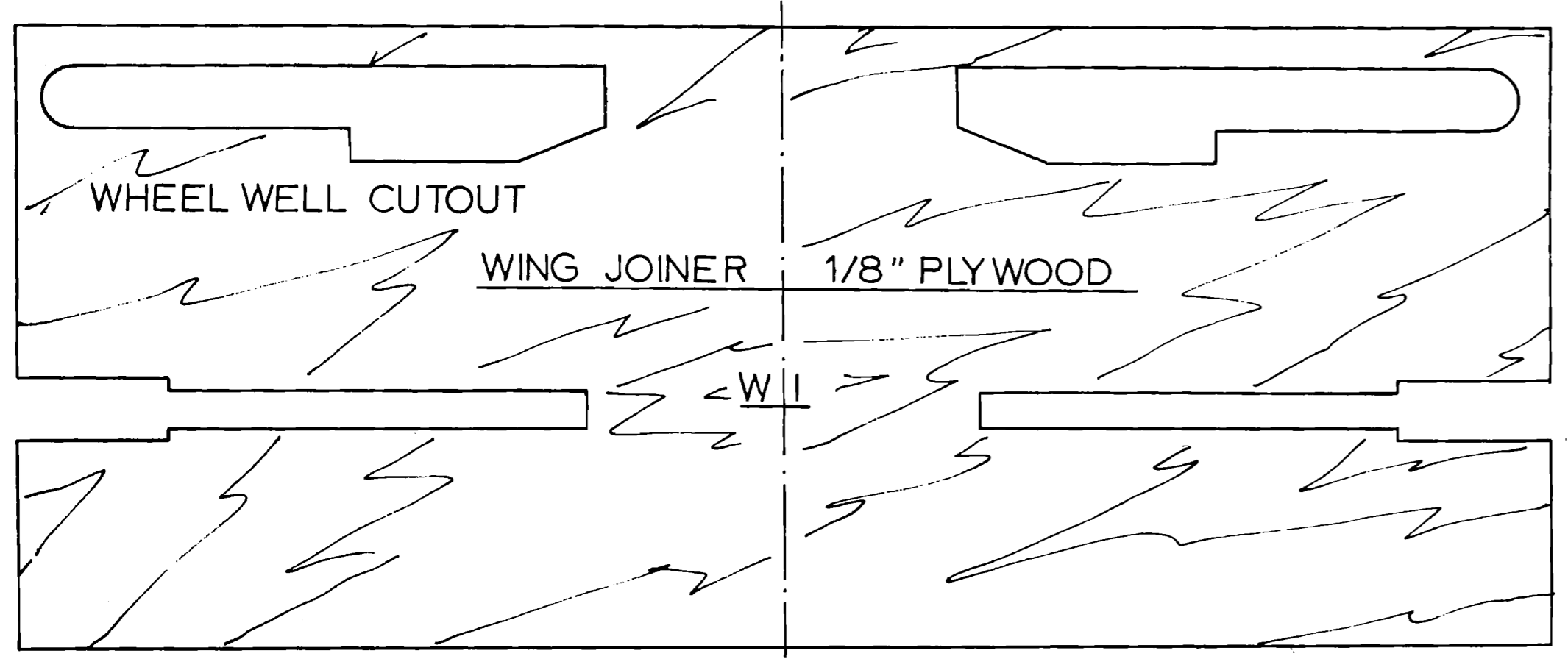
BULKHEADS A, A2, D THRU N 3/16" BALS

1/4" SPRUCE WING SPAR



NORTHROP A-17A NOMAD
by J. A. WILSON PLATE 2

U.S. ARMY



BLACK-BOTTOM OF WING

