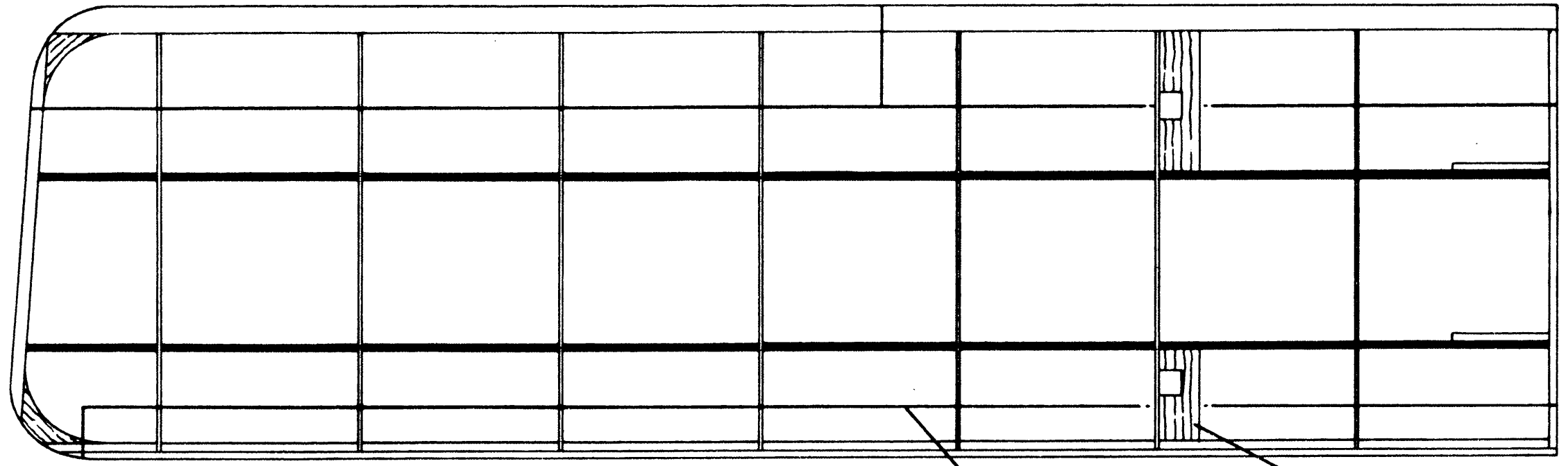


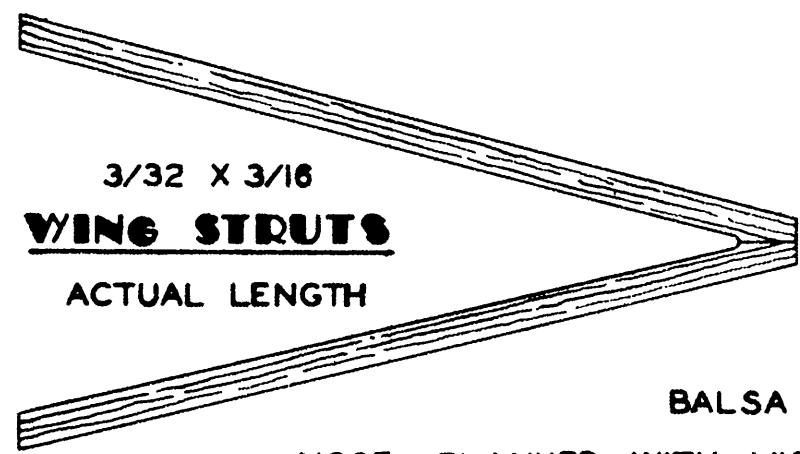
TIP & TIP FORMERS
3/32 SQ. & SHEET

REAR SPAR
1/16 X 3/16

WING RIB-14 1/32 MED. HARD SHEET REQ. 2 BASE RIBS CUT FROM 1/16 HARD SHEET

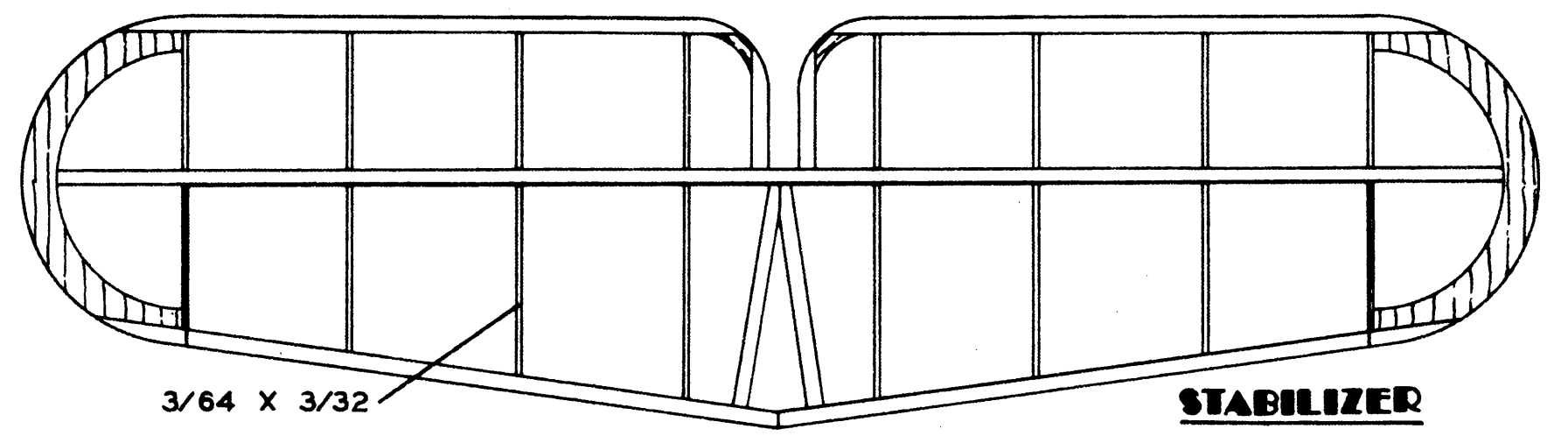


3/32 X 3/16 TRAILING EDGE
3/32 SQ. LEADING EDGE
SEPARATION LINES
1/16 SHEET
1/16 SHEET END RIB BRACE

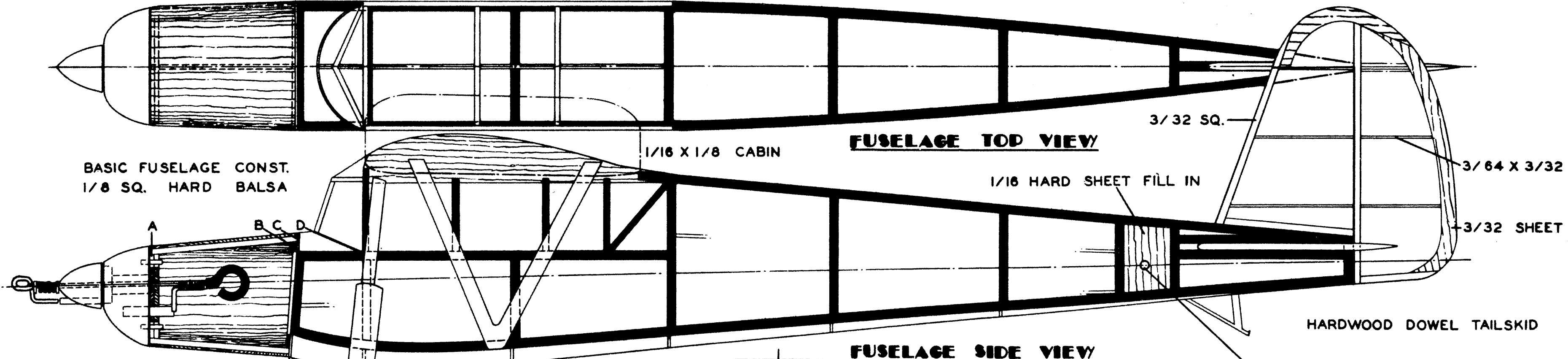


BALSA NOSEBLOCK
NOSE PLANKED WITH 1/16 X 1/8 SOFT BALSA SANDED TO APPROX. 1/32

STABILIZER TIP FORMERS 3/32 SHEET. SPAR LEADING EDGE & TRAILING EDGE 3/32 SQ.

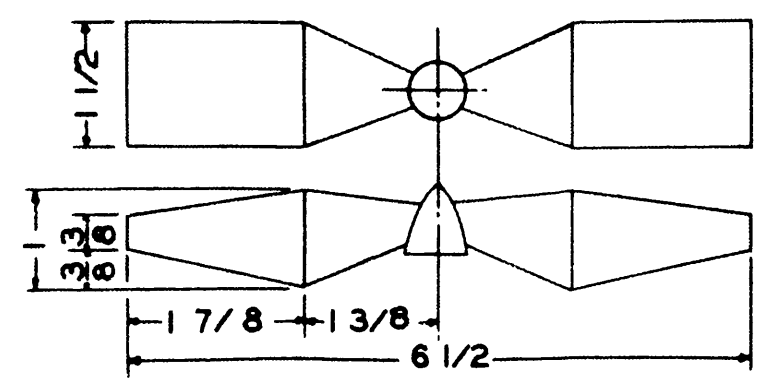
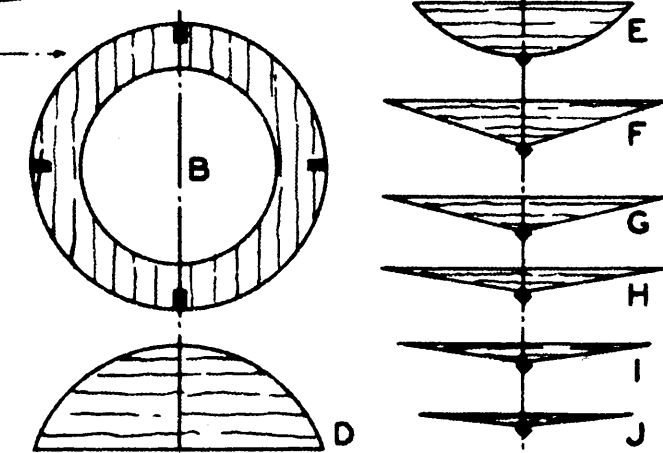
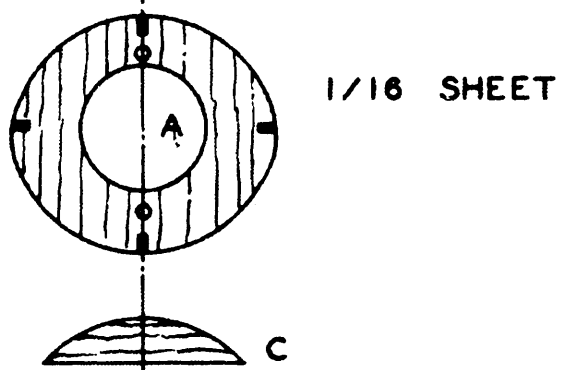
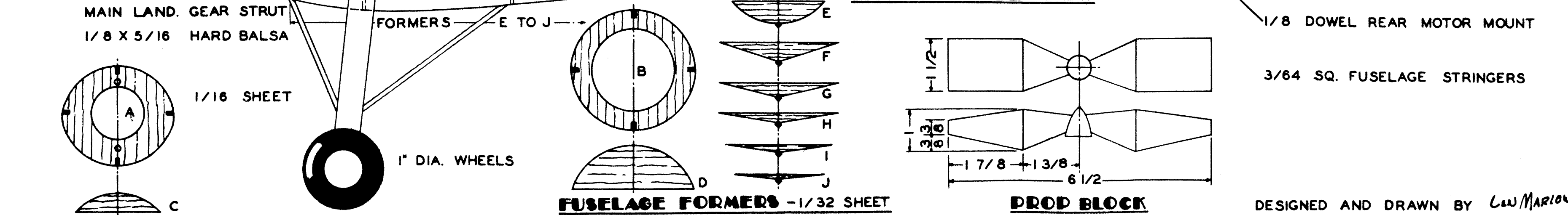


FUSELAGE TOP VIEW



BASIC FUSELAGE CONST. 1/8 SQ. HARD BALSA

FUSELAGE SIDE VIEW



DESIGNED AND DRAWN BY *Lew Marion*