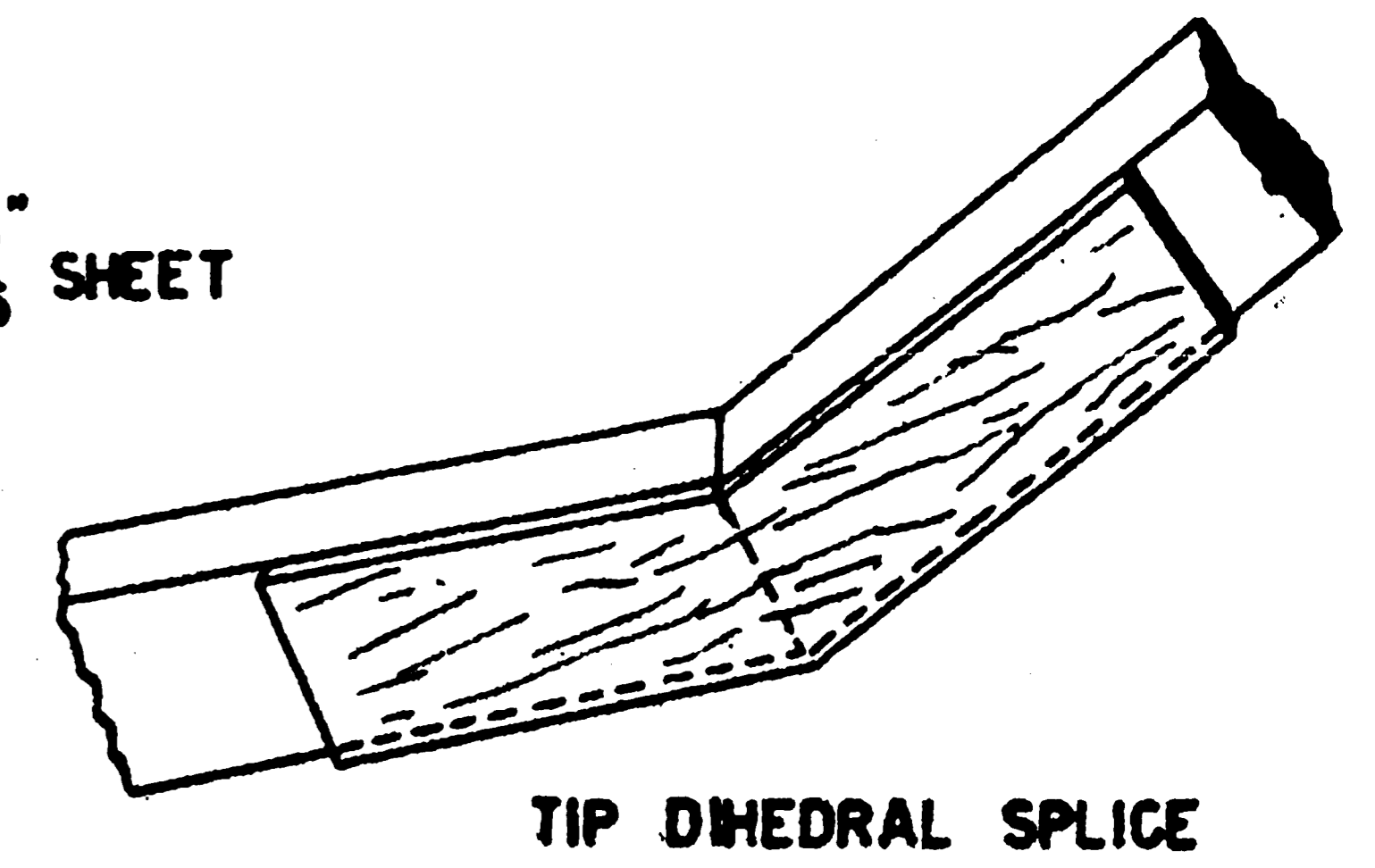
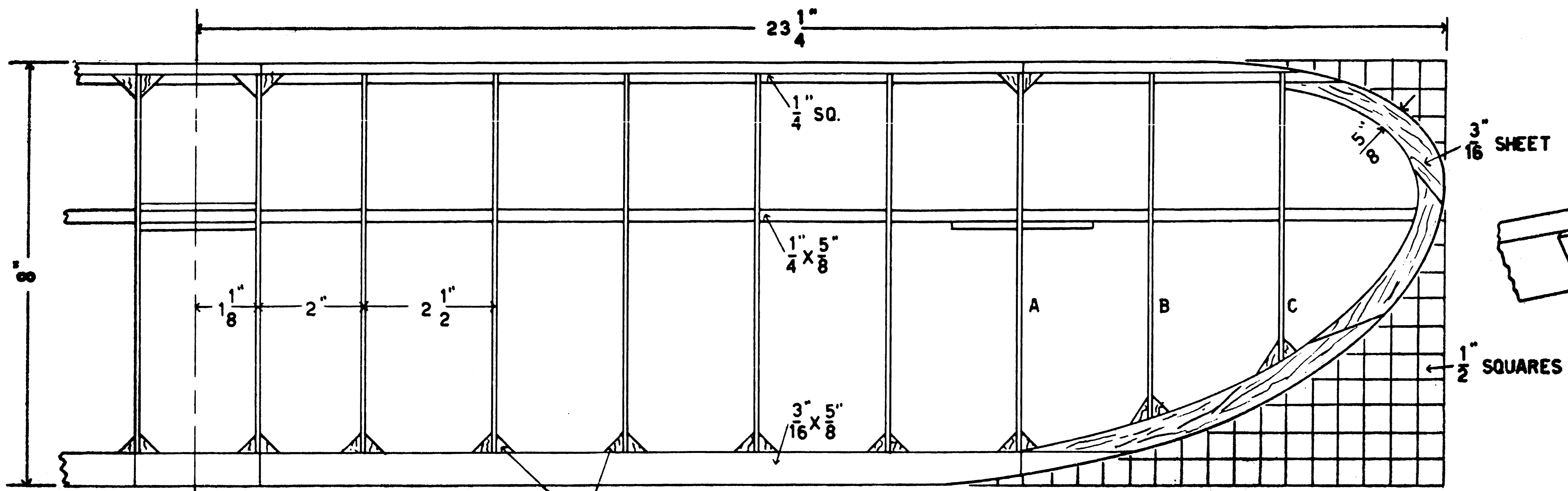


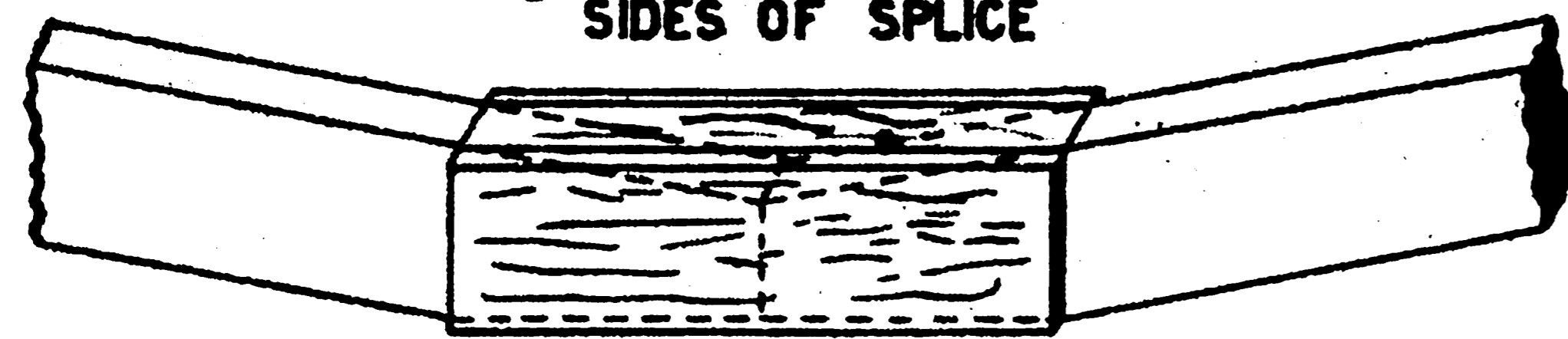
"BULLDOZER"		
CLASS	A & B	
WINGSPAN	46.5 IN.	
LENGTH	30.75 IN.	
PROJECTED AREA	330 SQ. IN.	
WEIGHT	23.5 OZ.	
SCALE	1/4" = 1"	
DESIGNED BY	JERRY STOLOFF	



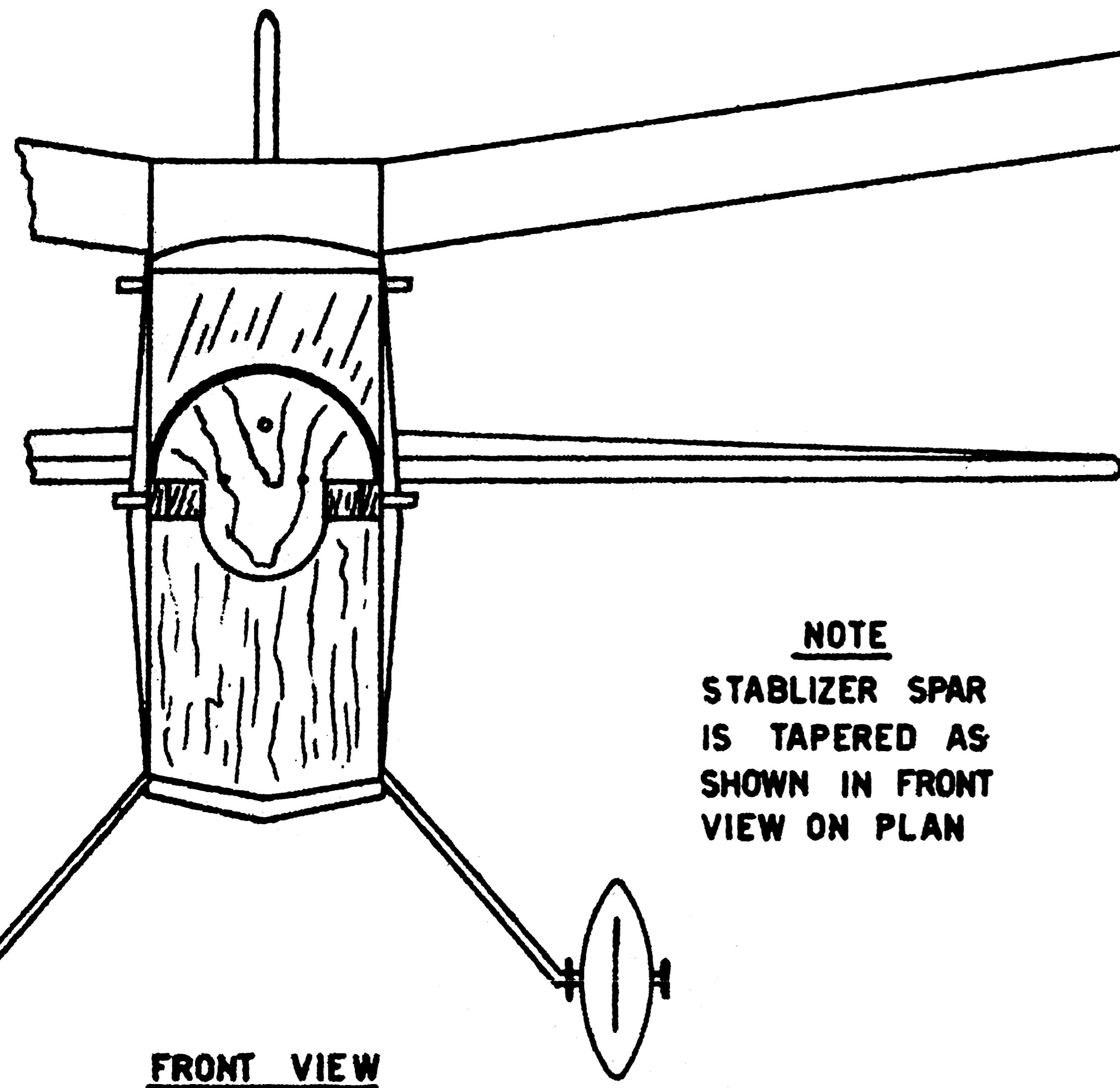
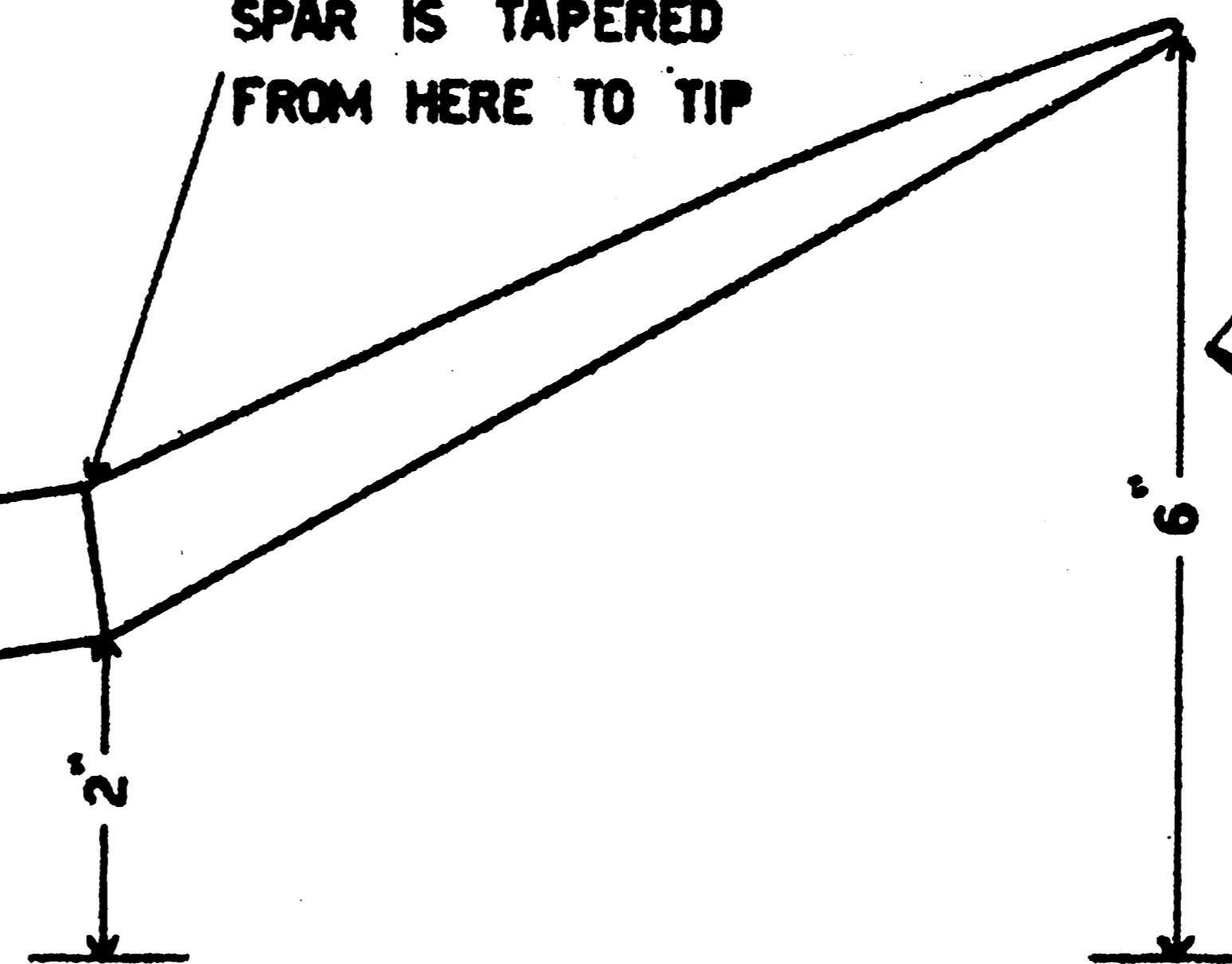
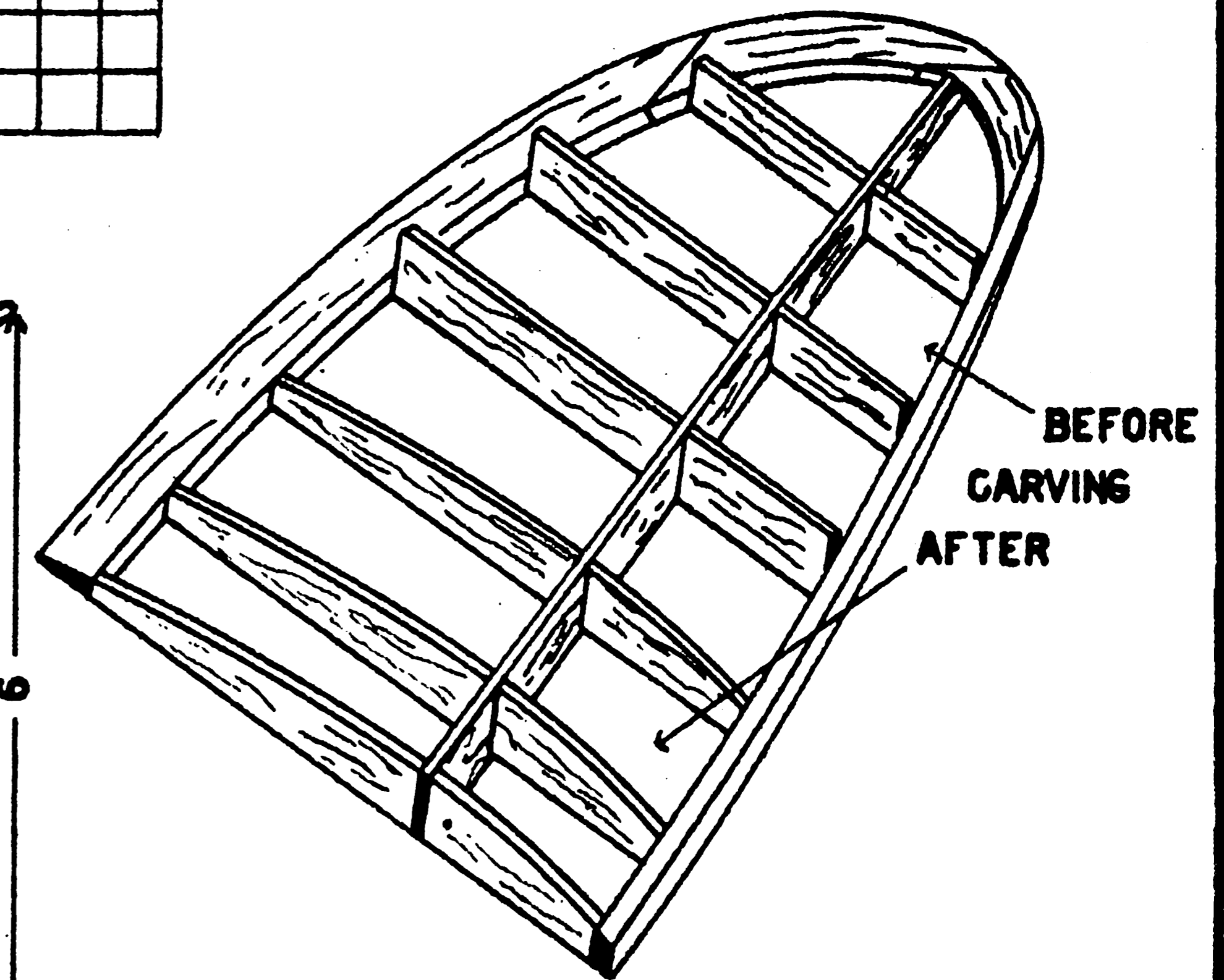
$\frac{1}{8}$ " SHEET ON BOTH SIDES OF SPLICE

$\frac{3}{16}$ " SHEET GUSSETS

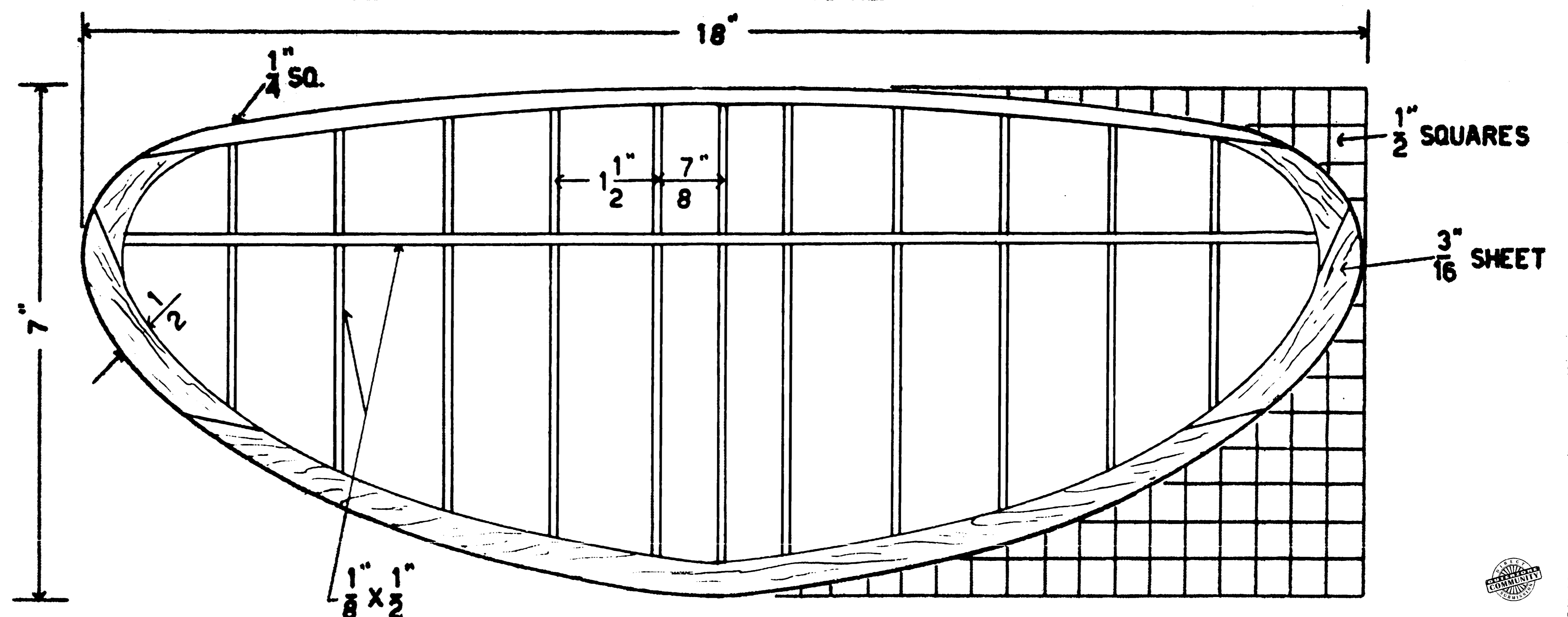
WING



SPAR IS TAPERED FROM HERE TO TIP

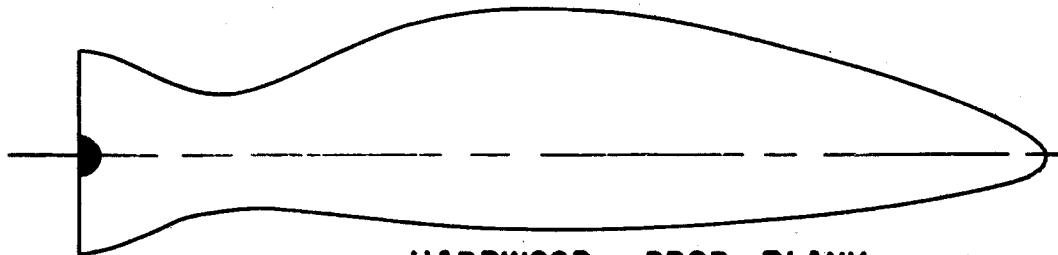
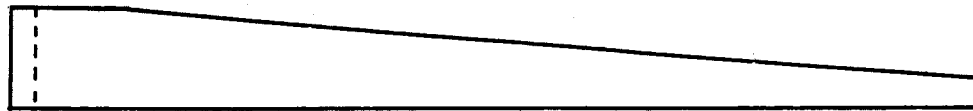


NOTE
STABLIZER SPAR IS TAPERED AS SHOWN IN FRONT VIEW ON PLAN

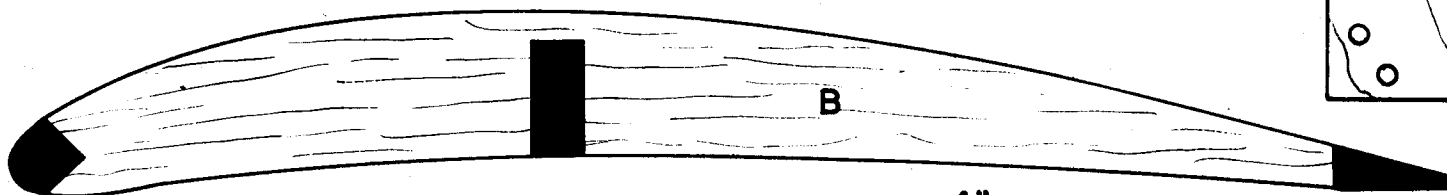
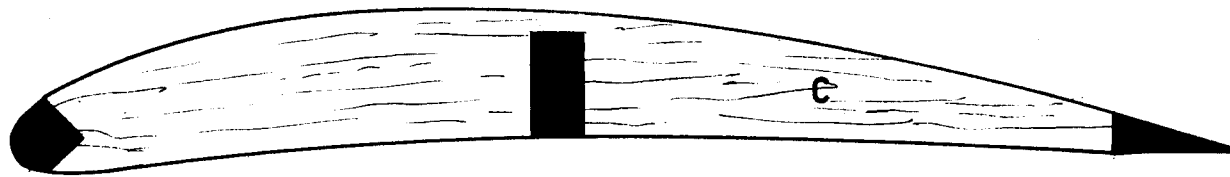
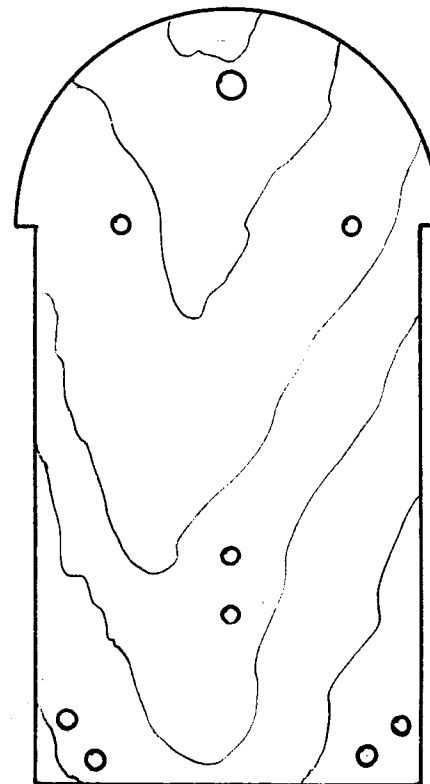


STABLIZER

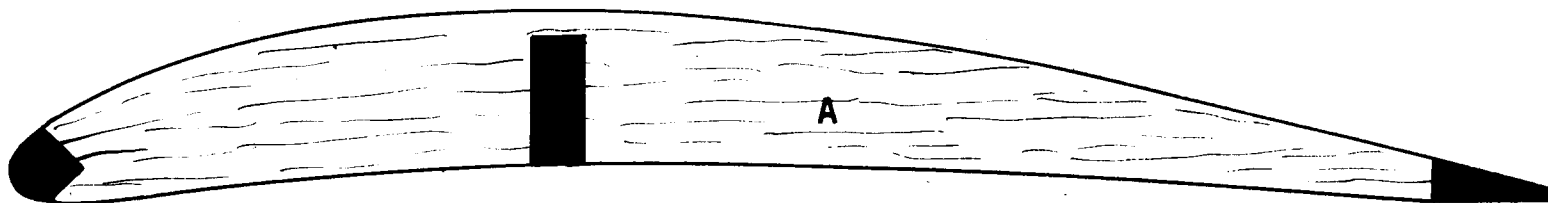
FIREWALL $\frac{1}{8}$ " PLYWOOD



HARDWOOD PROP BLANK



ALL RIBS CUT FROM $\frac{1}{16}$ " SHEET



FULL SIZE