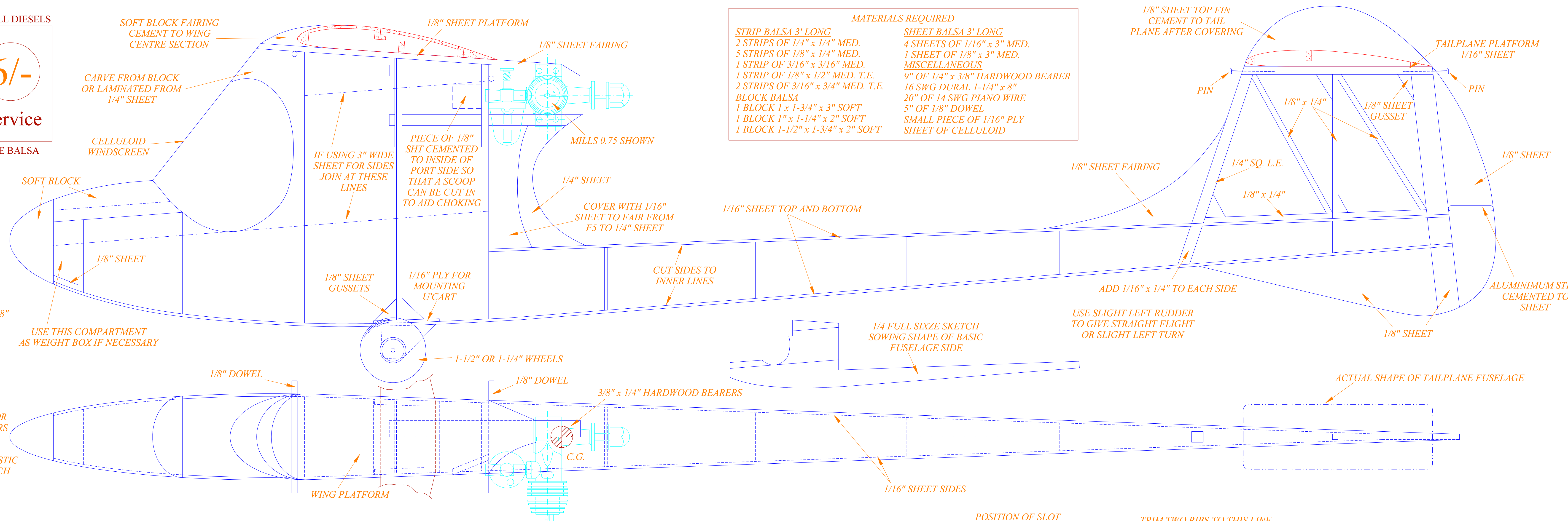
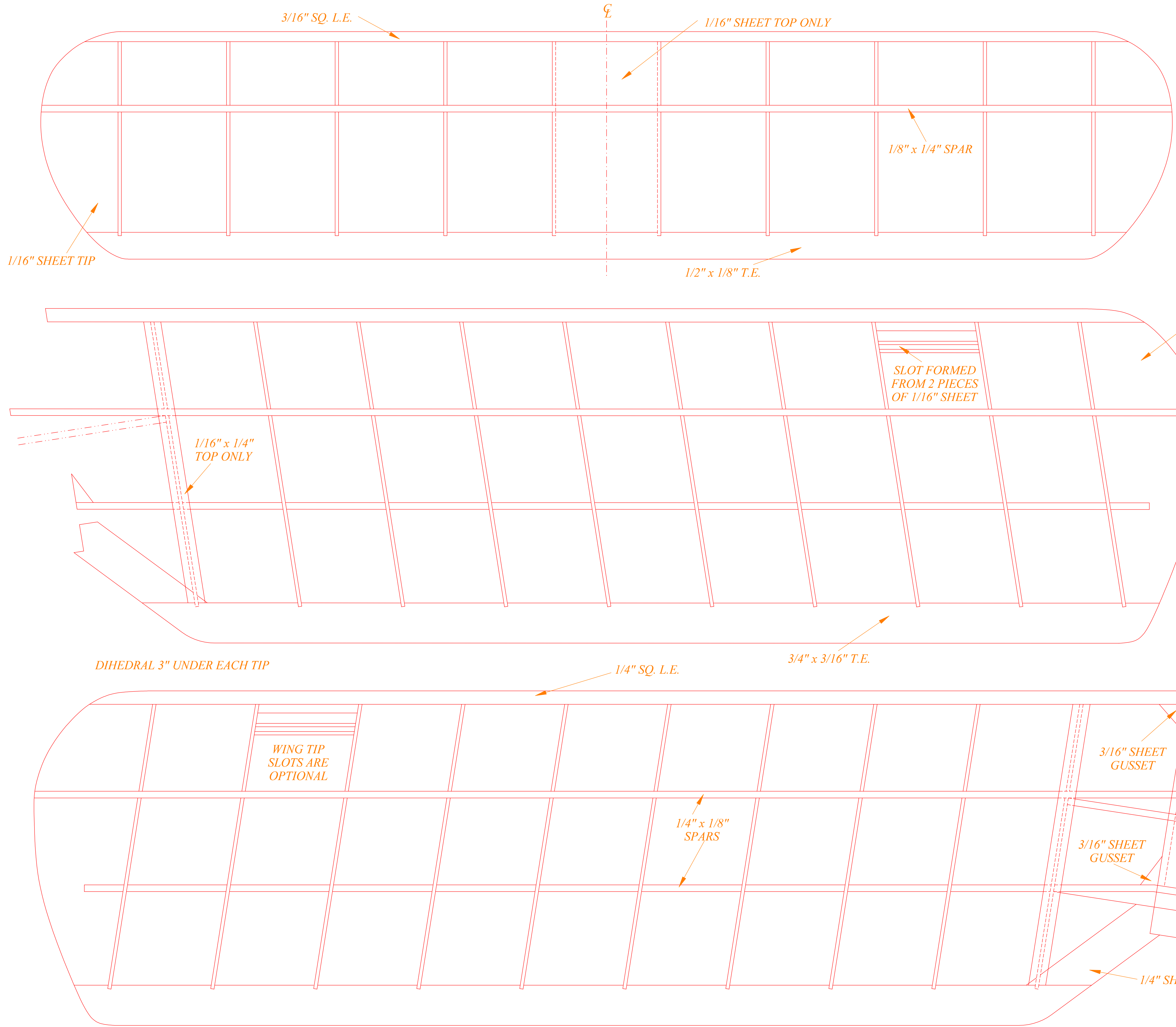
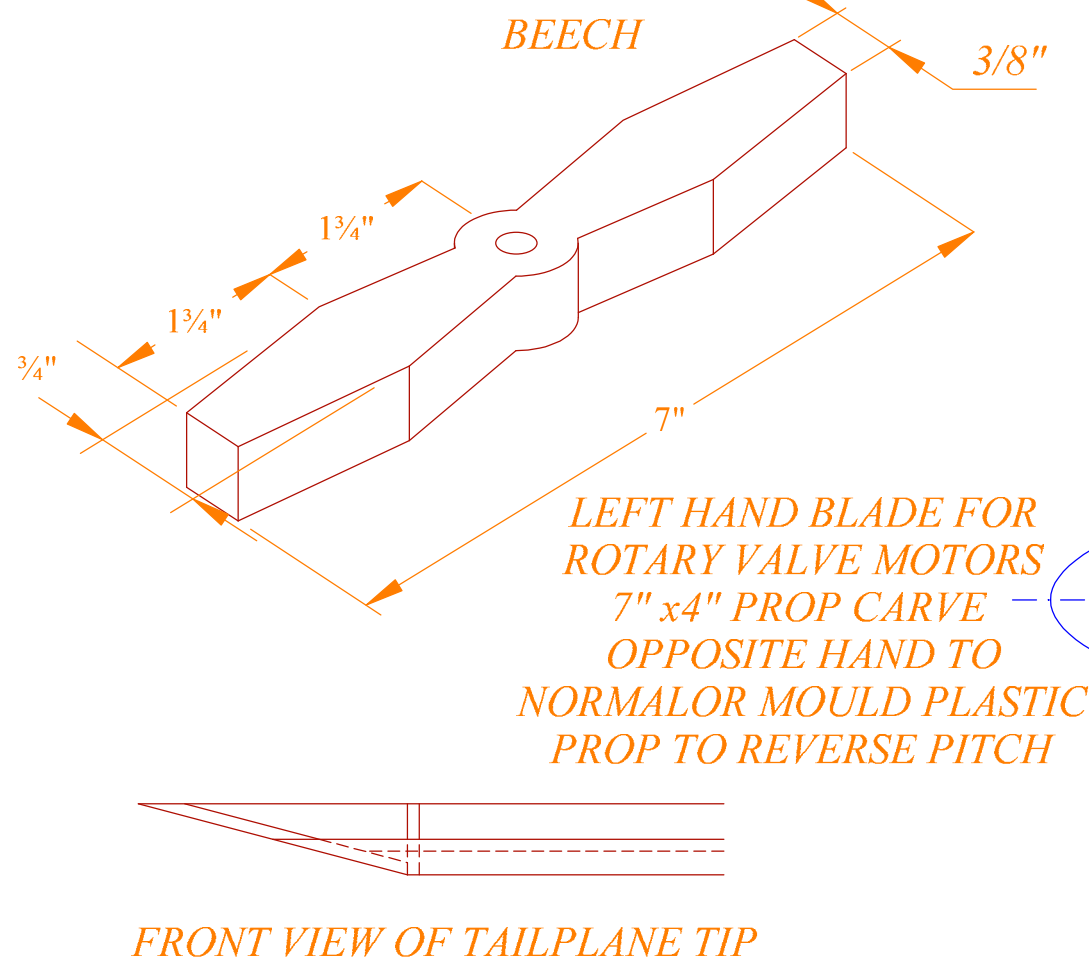


A 44" WINGSPAN, SEMI SCALE MODEL FOR SMALL DIESELS

PUSHY CAT
 Designed by
V. E. SMEED
 Copyright of
The Aeromodeller Plans Service
 38 CLARENDON RD. WATFORD HERTS

DATA	
WING SPAN	44 INS.
WING AREA	270 SQ. INS.
TAIL AREA	87 SQ. INS.
LENGTH	34 1/2 INS.
WEIGHT	10 1/2 OZS.
POWER	0.5 TO 1.5 cc



MATERIALS REQUIRED

STRIP Balsa 3" LONG
 2 STRIPS OF 1/4" x 1/4" MED.
 5 STRIPS OF 1/8" x 1/4" MED.
 1 STRIP OF 3/16" x 3/16" MED.
 1 STRIP OF 1/8" x 1/2" MED. T.E.
 2 STRIPS OF 3/16" x 3/4" MED. T.E.

BLOCK Balsa
 1 BLOCK 1 x 1-3/4" x 3" SOFT
 1 BLOCK 1" x 1-1/4" x 2" SOFT
 1 BLOCK 1-1/2" x 1-3/4" x 2" SOFT

SHEET Balsa 3" LONG
 4 SHEETS OF 1/16" x 3" MED.
 1 SHEET OF 1/8" x 3" MED.

MISCELLANEOUS
 9" OF 1/4" x 3/8" HARDWOOD BEARER
 16 SWG DURAL 1-1/4" x 8"
 20" OF 14 SWG PLANO WIRE
 5" OF 1/8" DOWEL
 SMALL PIECE OF 1/16" PLY SHEET OF CELLULOID

