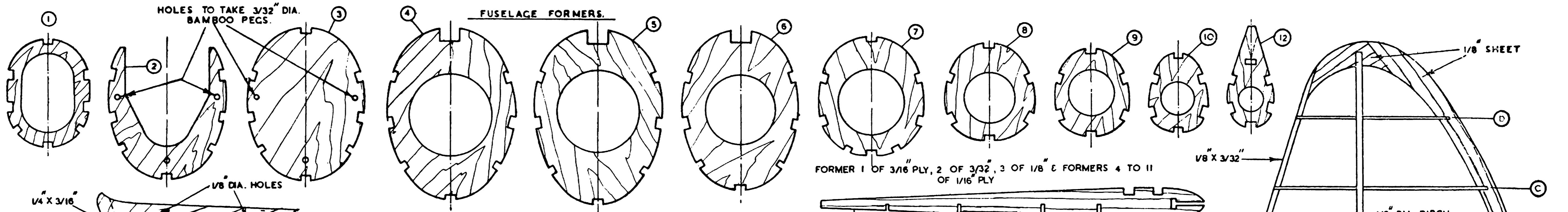


KAPITÁN

DESIGNED BY
B. PILAŘ
COPYRIGHT OF

THE AEROMODELLER PLANS SERVICE LTD.
ALLEN HOUSE NEWARKE STREET LEICESTER.

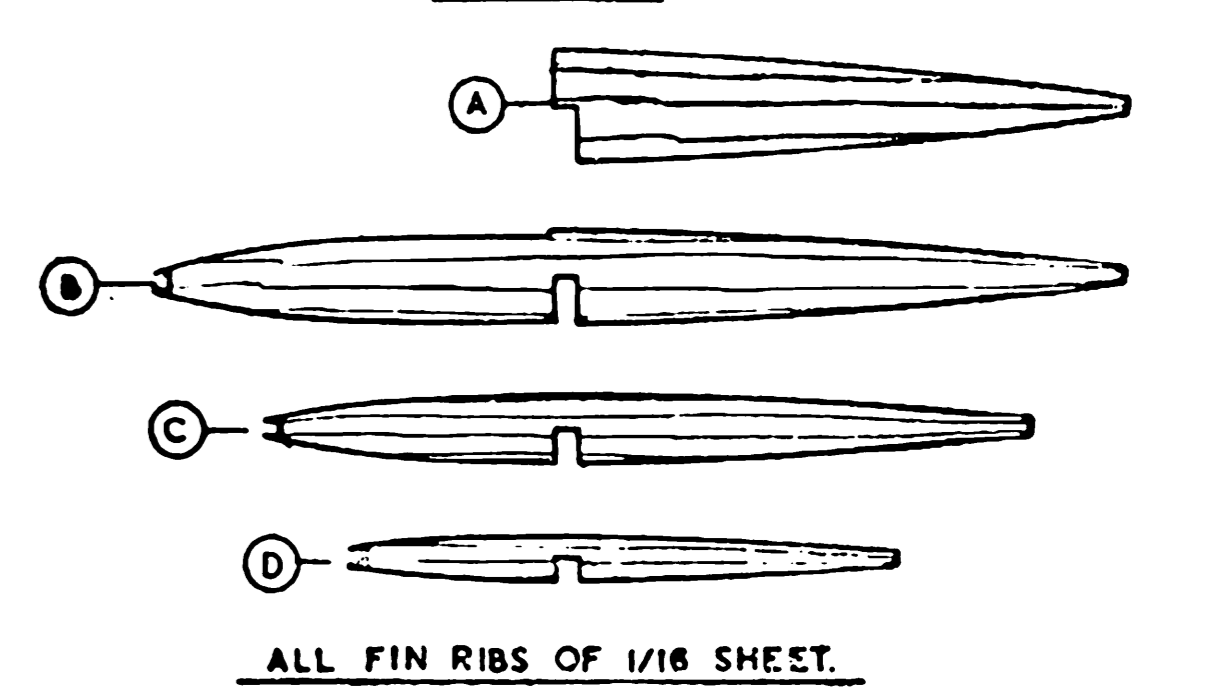
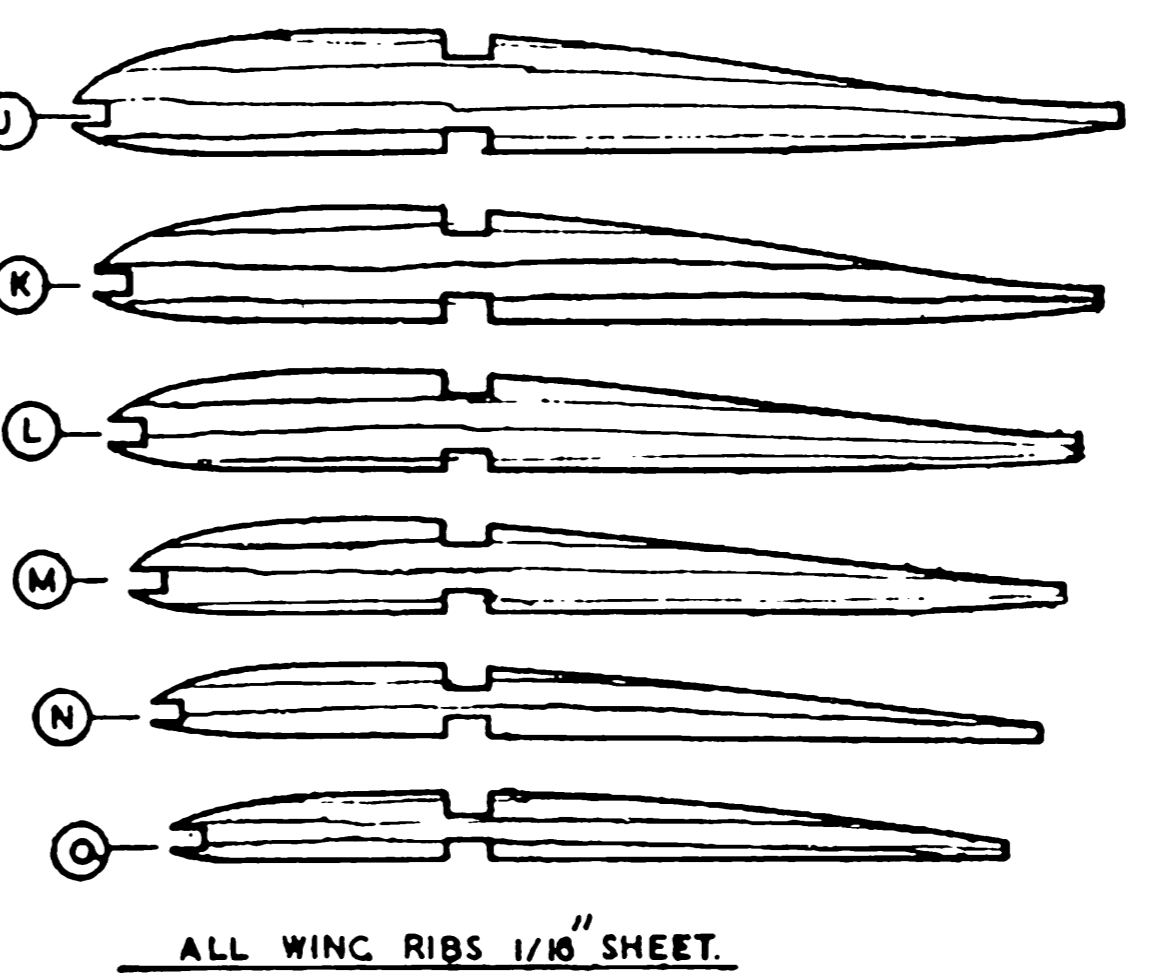
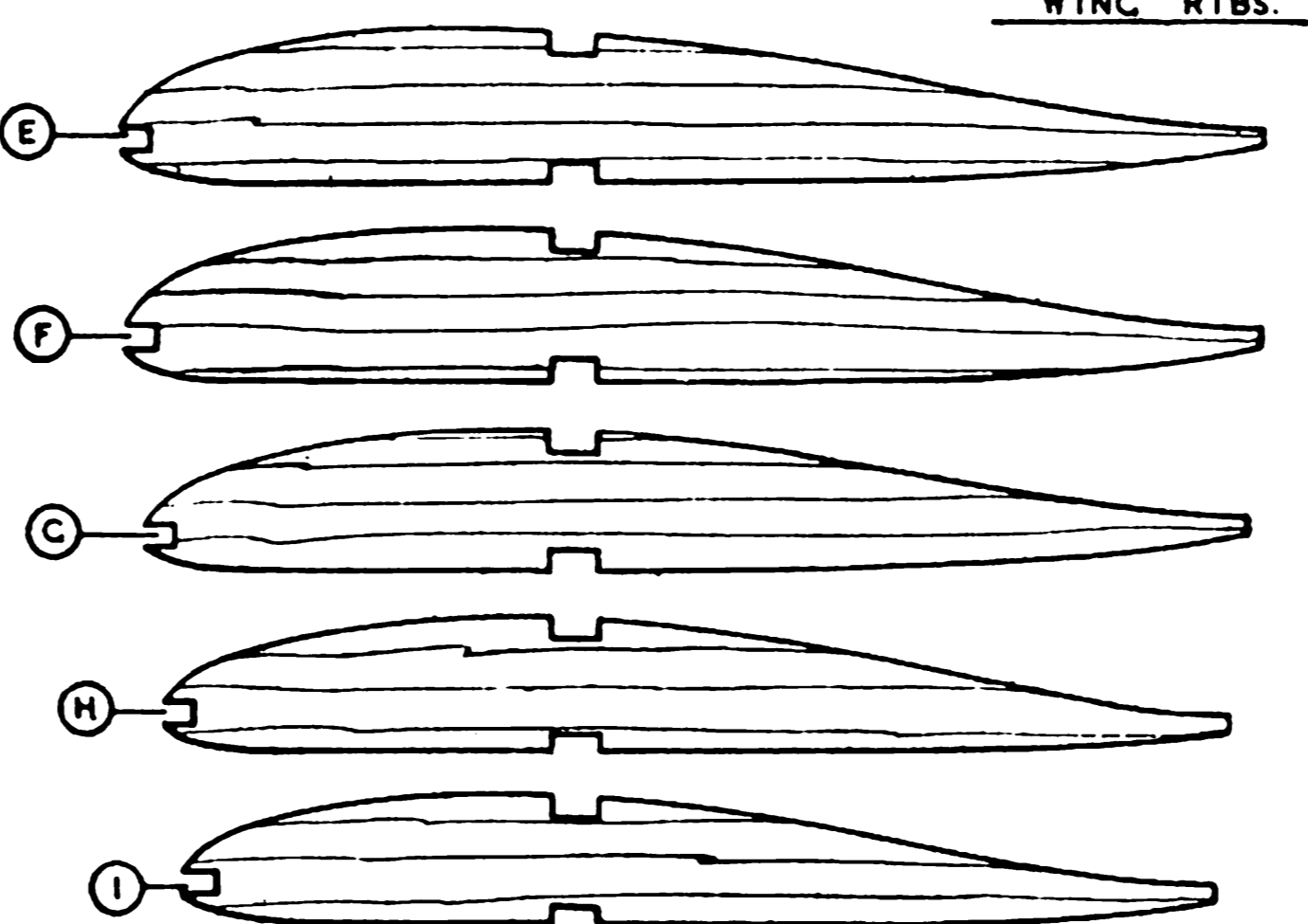
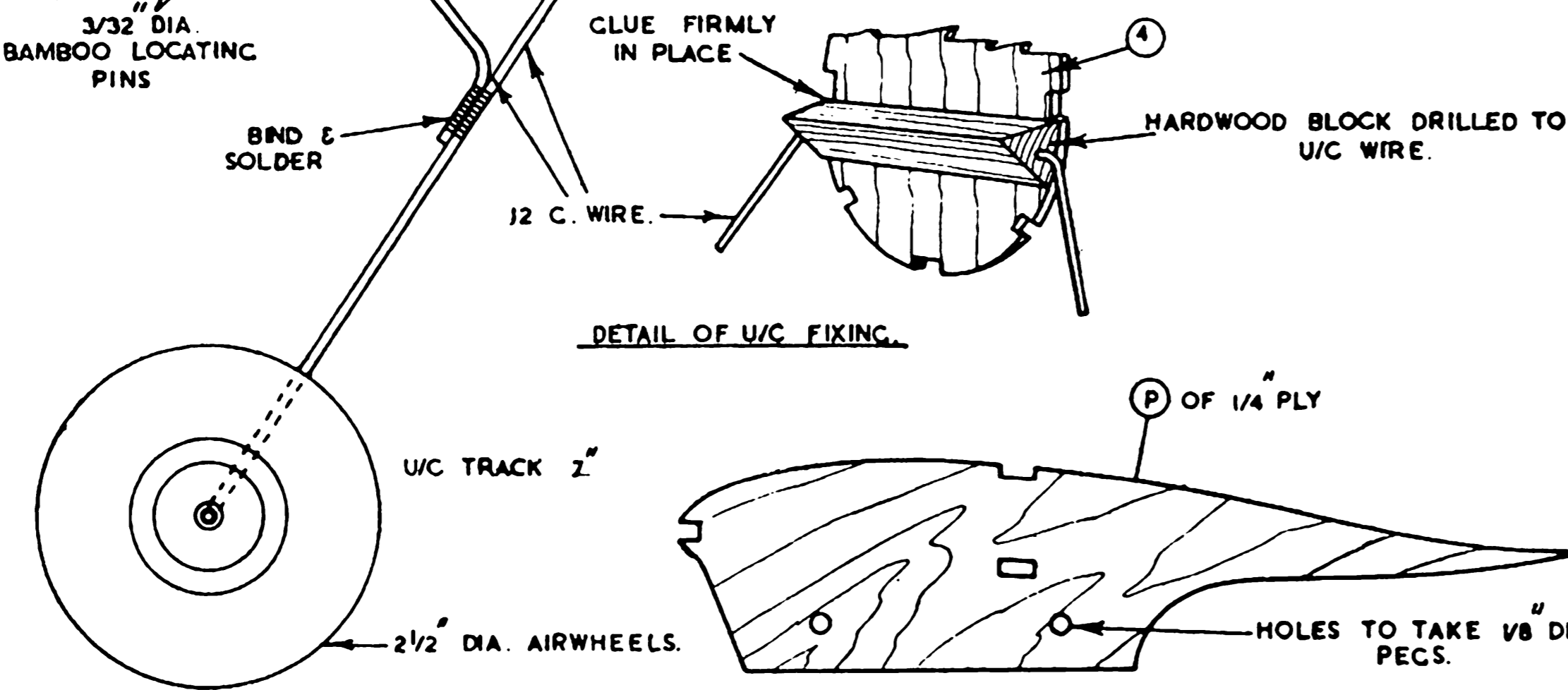
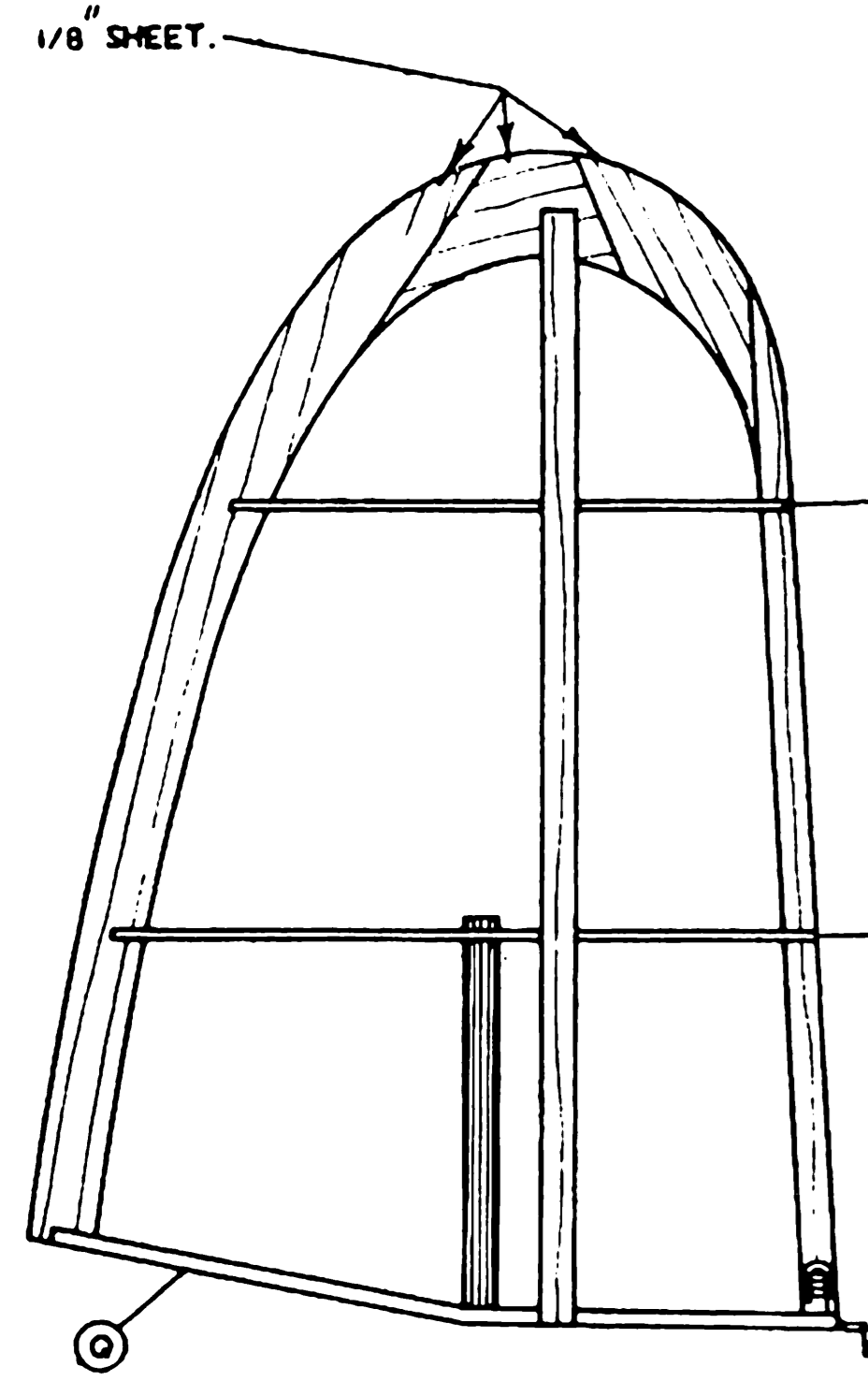
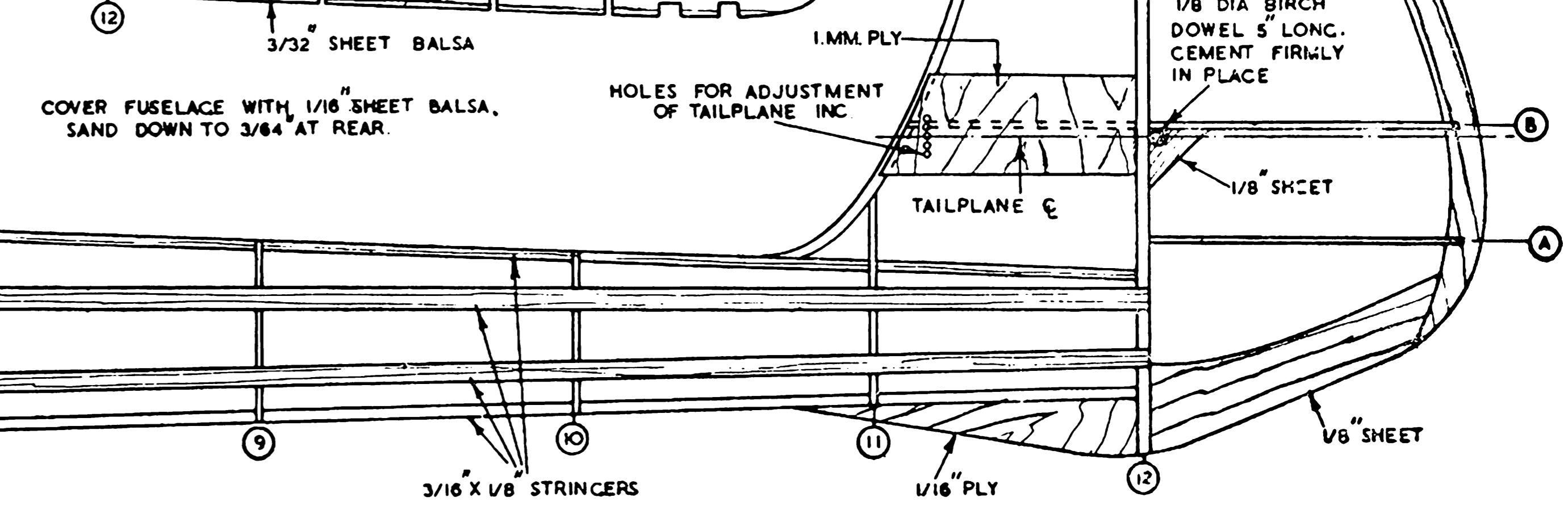


POWER. A I.C.C. TO 2 C.C. DIESEL ENGINE

ALL WOODS USED UNLESS OTHERWISE STATED ARE BALSA.

NOTE: NO ENGINE MOUNT IS SHOWN AS THIS VARIES WITH DIFFERENT MAKES OF DIESEL ENGINES.

COVERING & DOPING.
COVER ALL SURFACES WITH STRONG BAMBOO TISSUE & APPLY 1 COAT OF CLEAR DOPE & 2 OF BANANA OIL TO ALL SURFACES. MODEL CAN ALSO BE COLOURED DOPED



MATERIALS REQUIRED.

SHEET.	1 STRIP OF BALSAL 1/8" X 1/2" X 24"
2 SHEETS OF BALSAL 36" X 3/16"	MISC.
1 " " 24" X 3/16"	30' OF 12 S.W.C. PIANO WIRE.
1 " " PLY 36" X 3/16"	5" " 1/8" INT. DIA. PAPER TUBE
STRIP.	5" " 1/8" DIA. BIRCH DOWEL.
1 STRIP OF BALSAL 1/8" X 3/32" X 36"	1 PAIR OF 2 1/2" DIA. AIRWHEELS.
8 " " 1/8" X 3/16" X 36"	ODD PIECES OF 1.MM PLY, 1/4 PLY &
6 " " 1/8" X 1/4" X 36"	1/4" & 3/32" SHEET BALSAL.

