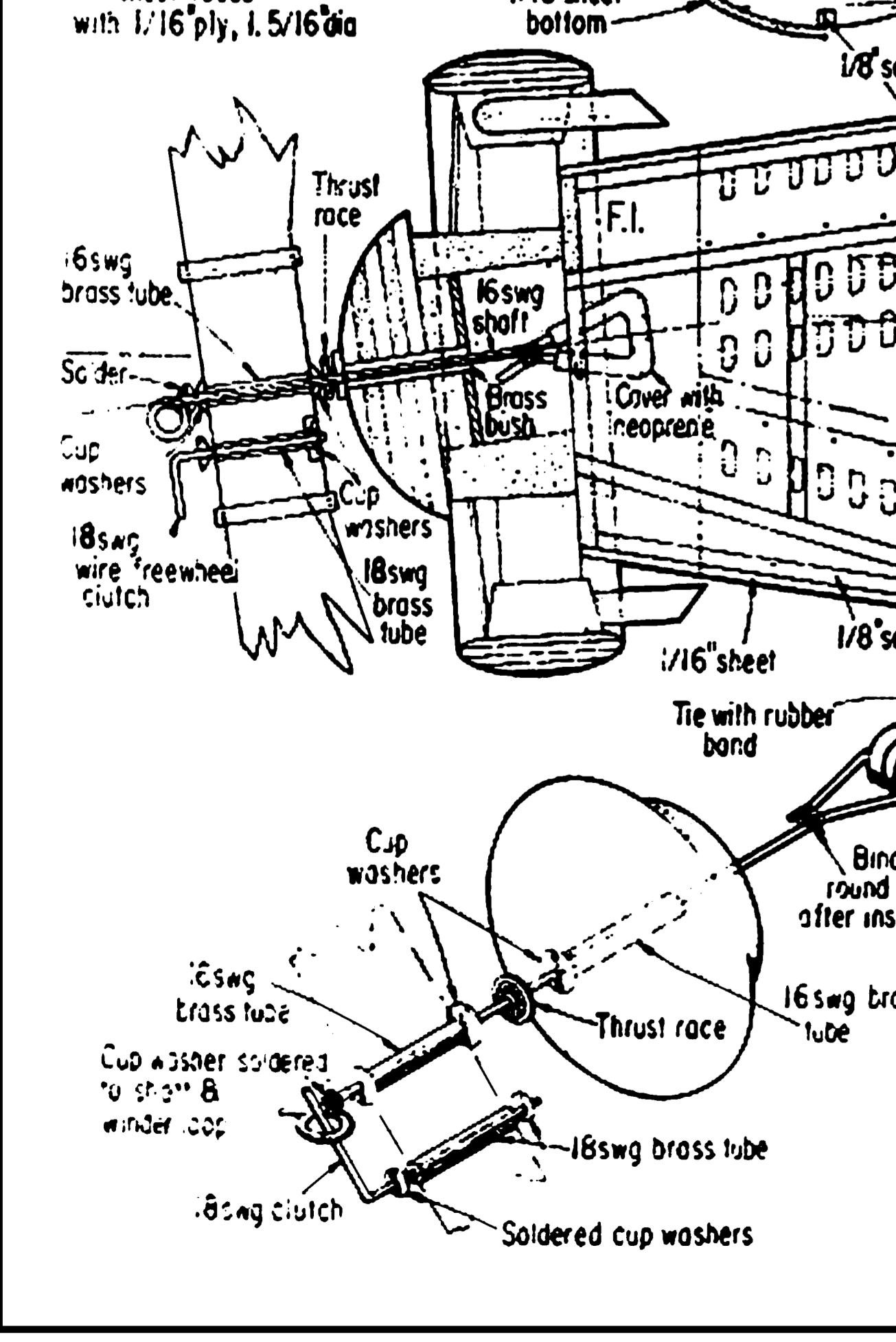
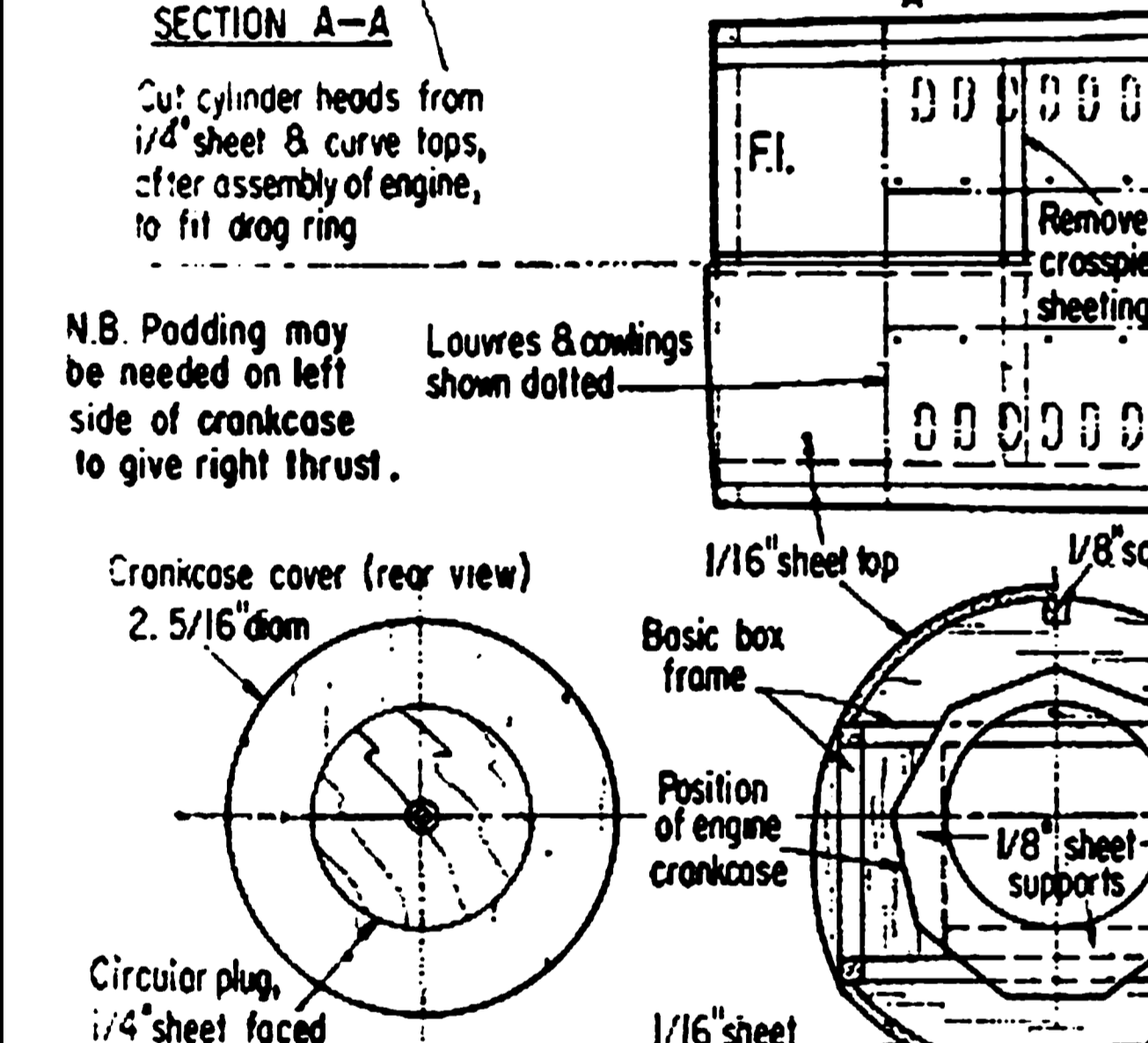
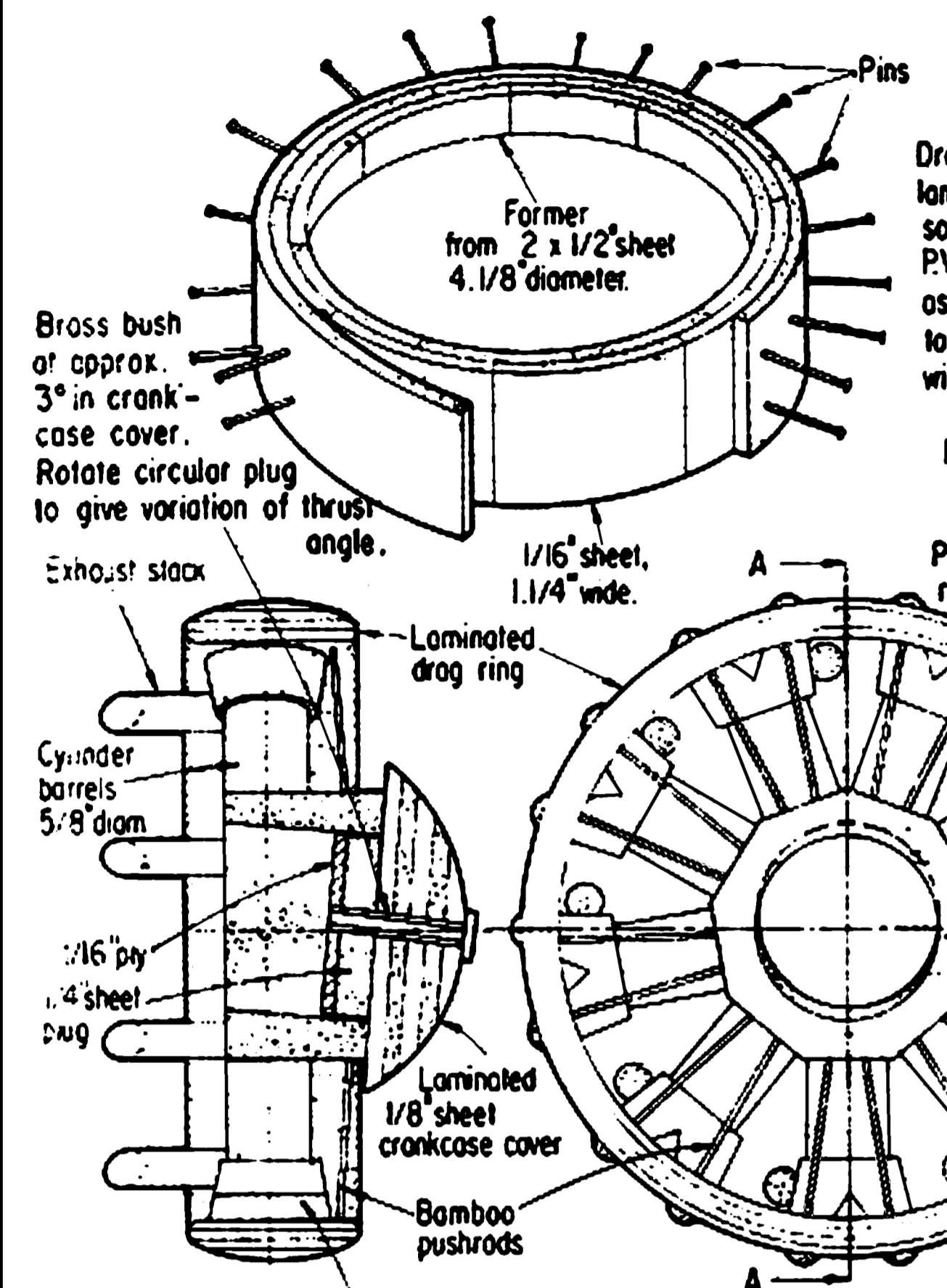
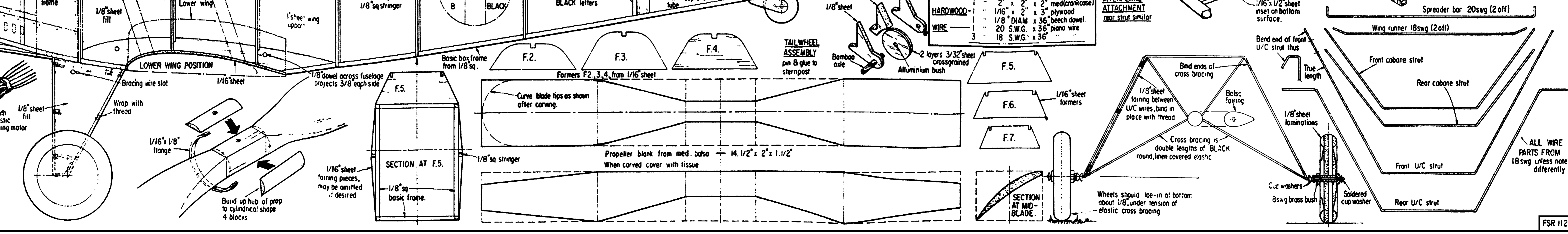
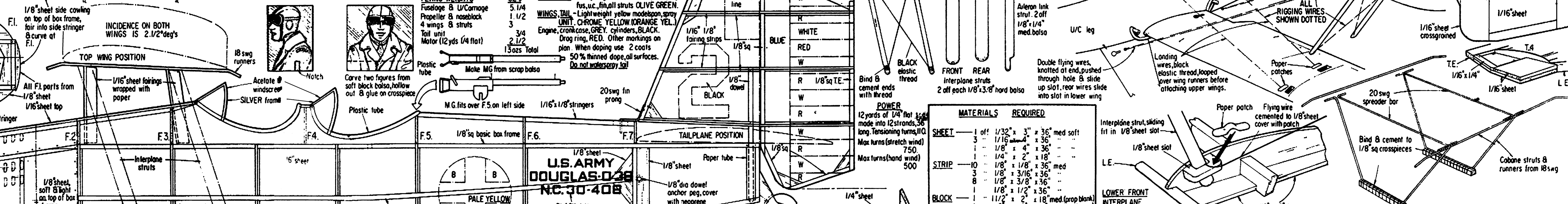
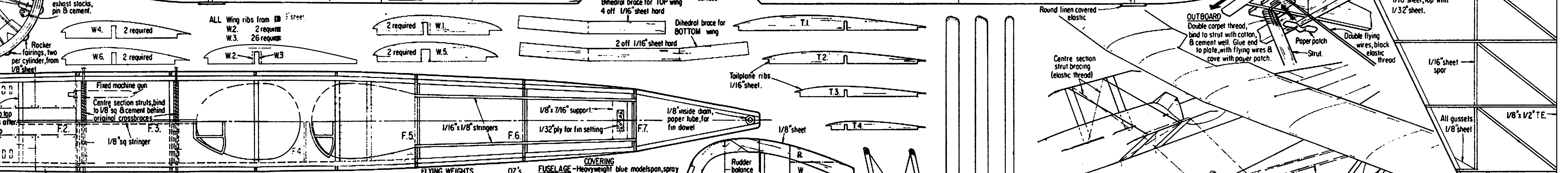
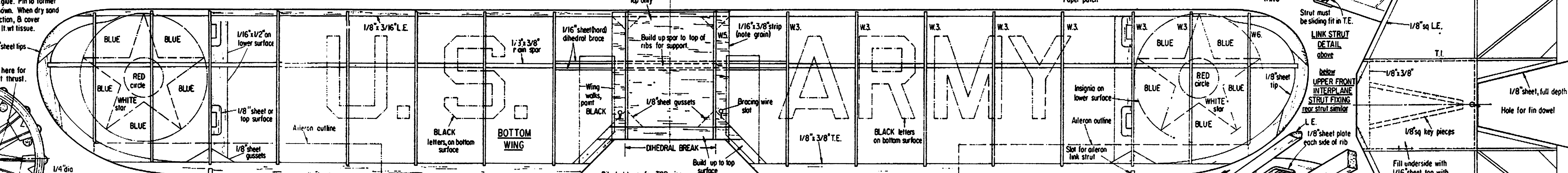
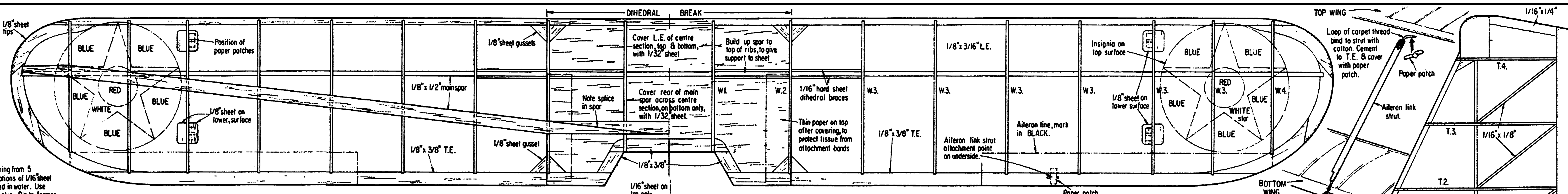


A 40" span, 1/12 lb scale rubber powered model.

DOUGLAS 0-38
 designed by **Ken McDonough. 75p**
 copyright of **The Aeromodeler Plans Service**
 13-35 Bridge Street, Hemel Hempstead, Herts.
 ALL WOODS Balsa UNLESS STATED OTHERWISE



FLYING WEIGHTS
 Fuselage & U/C carriage 5.1/4
 Propeller & noseblock 1.1/2
 4 wings & 8 struts 3
 Tail unit 3/4
 Motor (12 yds 1/4 flat) 2.1/2
 13.025 Total

FUSELAGE COVERING
 Heavyweight blue modelspan, spray fus, uc, fin, all struts OLIVE GREEN.
 WINGS, TAIL - Lightweight yellow modelspan, spray UNIT, CHROME YELLOW (ORANGE YEL).
 Engine, crankcase, GREY, cylinders, BLACK.
 Drag ring, RED. Other markings on plan. When doping use 2 coats. 50% thinned dope, all surfaces. Do not oversaturate tail.

POWER
 12 yards of 1/4 flat 1/32 made into 12 strands, 36 long. Tensioning turns, 110 Max turns (stretch wind) 750
 Max turns (hand wind) 500

MATERIALS REQUIRED

SHEET	1	1/32" x 3" x 36" med soft
	3	1/16" x 4" x 36"
	1	1/8" x 4" x 36"
	1	1/4" x 2" x 18"
STRIP	10	1/8" x 1/8" x 36" med
	3	1/8" x 3/16" x 36"
	8	1/8" x 3/8" x 36"
BLOCK	1	1/8" x 1/2" x 36"
	2	2" x 2" x 18" med (prop blank)
	1	2" x 2" x 2" med (crankcase)
HARDWOOD	1	1/16" x 2" x 3" plywood
	1	1/8" DIAM x 36" beech dowel.
WIRE	1	20 S.W.G. x 36" piano wire
	3	18 S.W.G. x 36"