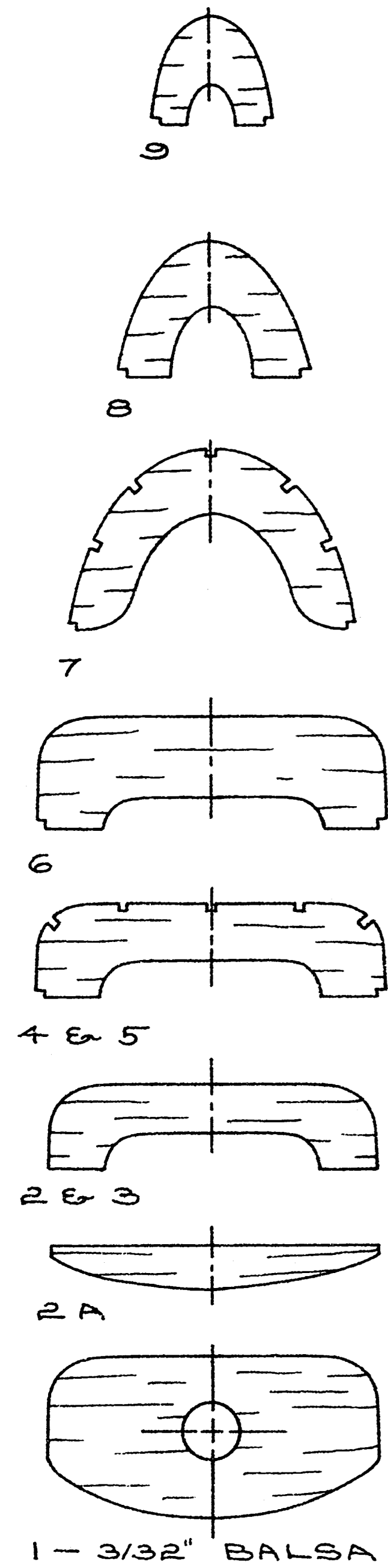


FUSELAGE FORMERS
2 THROUGH 9 ARE
1/16" SHEET BALSA



3/32" X 3/16" BALSA L.E.
BOTH WINGS

1/16" X 1/4" BALSA
MAIN SPAR
BOTH WINGS

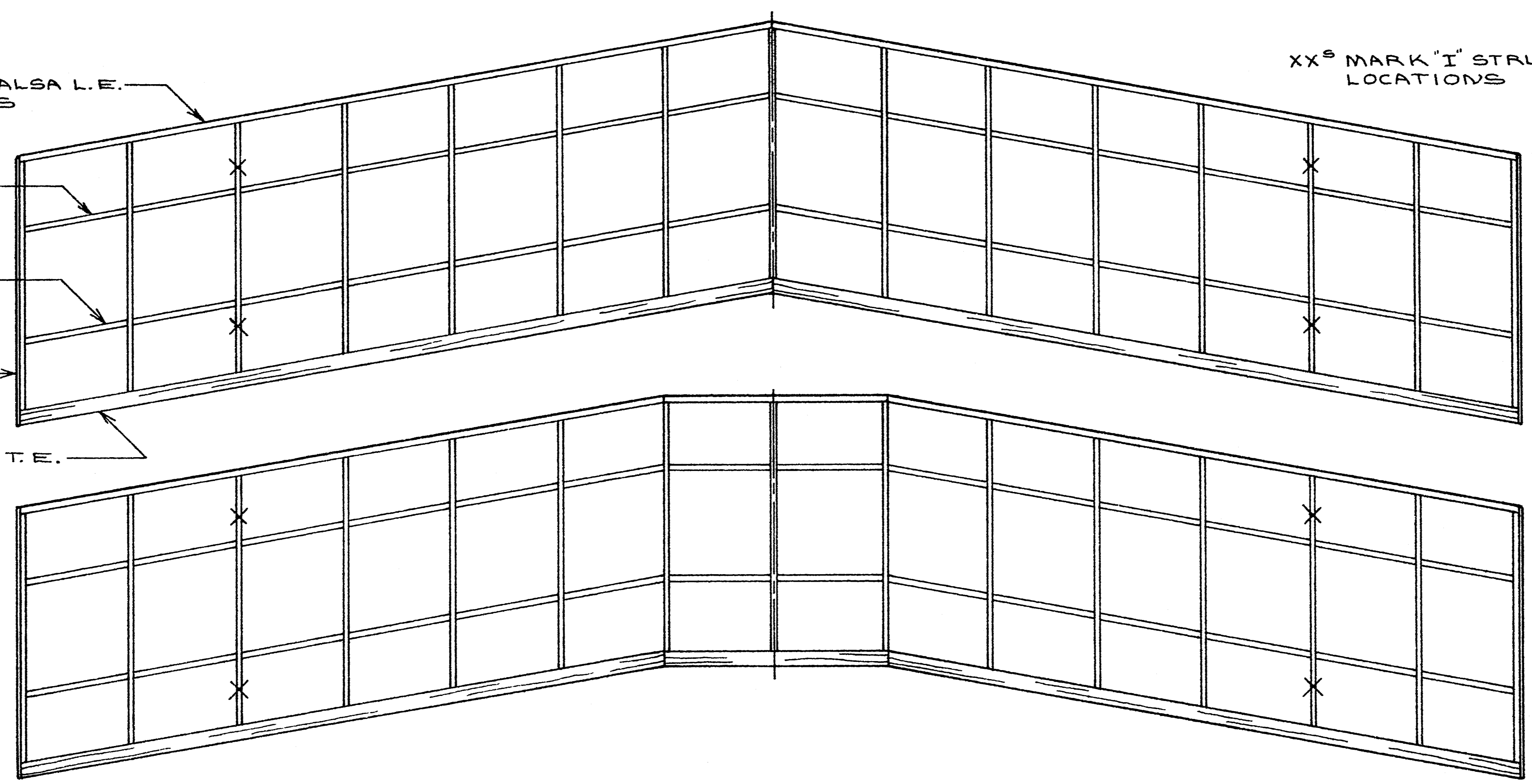
1/16" X 3/16" BALSA
REAR SPAR
BOTH WINGS

1/32" BALSA
TIP RIB CAPS
BOTH WINGS

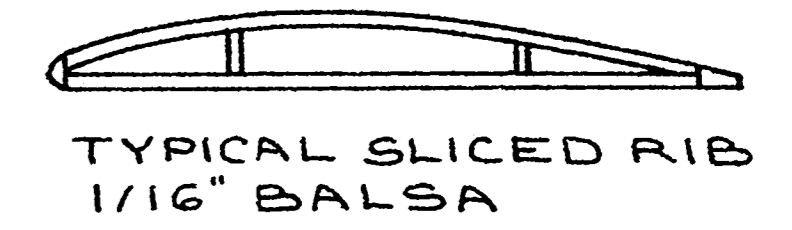
3/32" X 3/16" BALSA T.E.
BOTH WINGS

1/2" DIHEDRAL
AT EACH TIP
BOTH WINGS

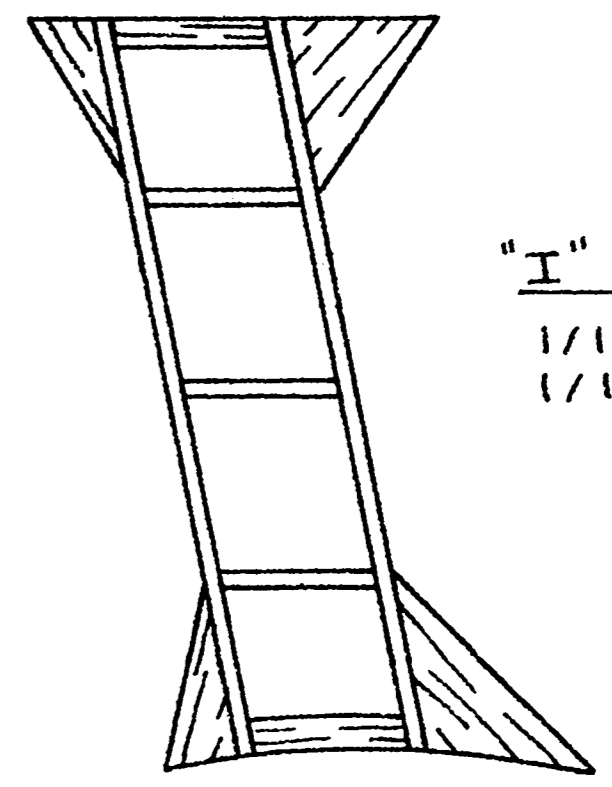
light
flies
right



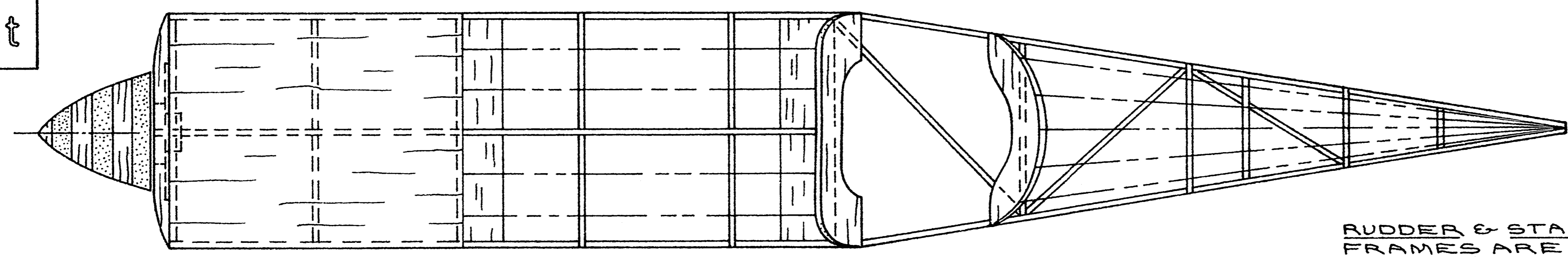
XX MARK "I" STRUT
LOCATIONS



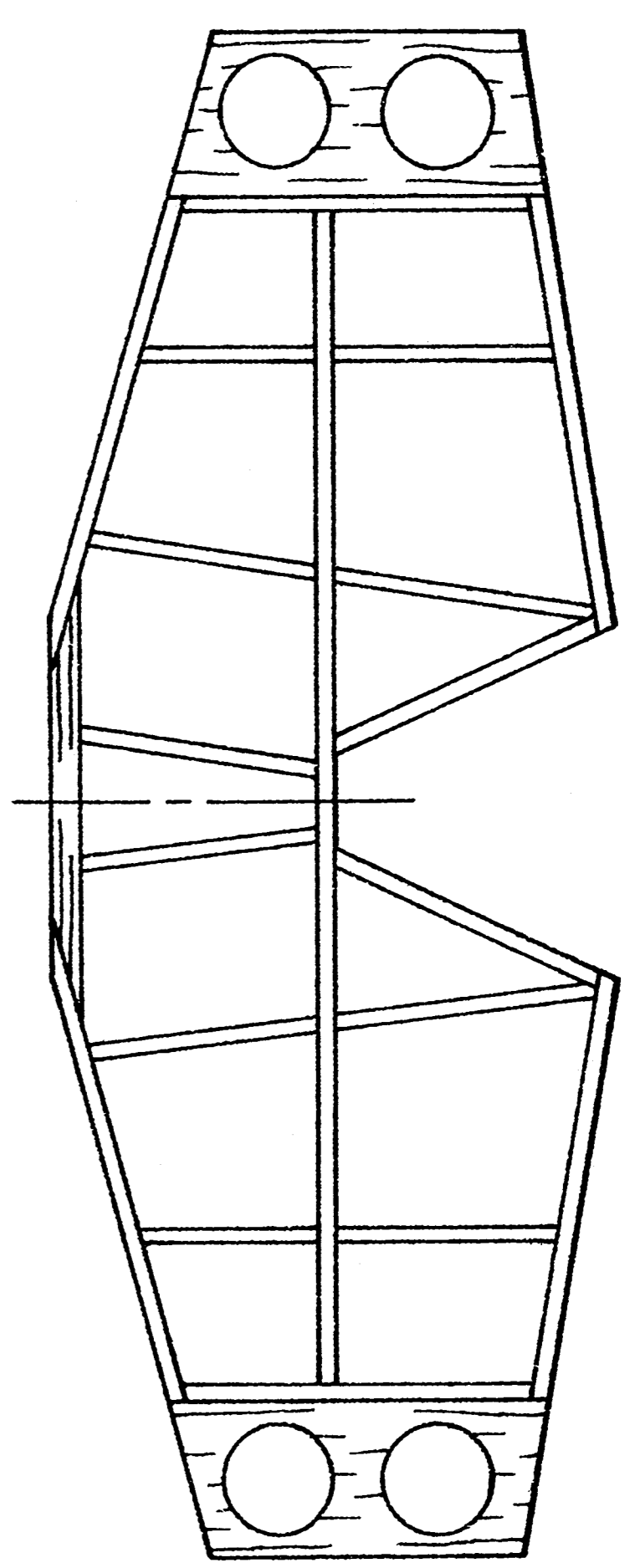
TYPICAL SLICED RIB
1/16" BALSA



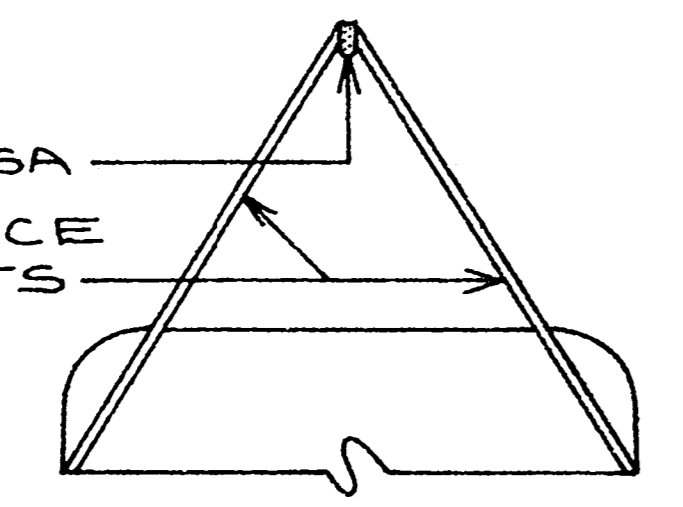
"I" STRUT - 2 REQD.
1/16" SQ. BALSA &
1/16" BALSA



RUDDER & STABILIZER
FRAMES ARE 3/32" SQ. BALSA
3/32" BALSA CUT PARTS



3/32" X 3/16" BALSA
1/16" X 3/16" SPRUCE
CABANE STRUTS

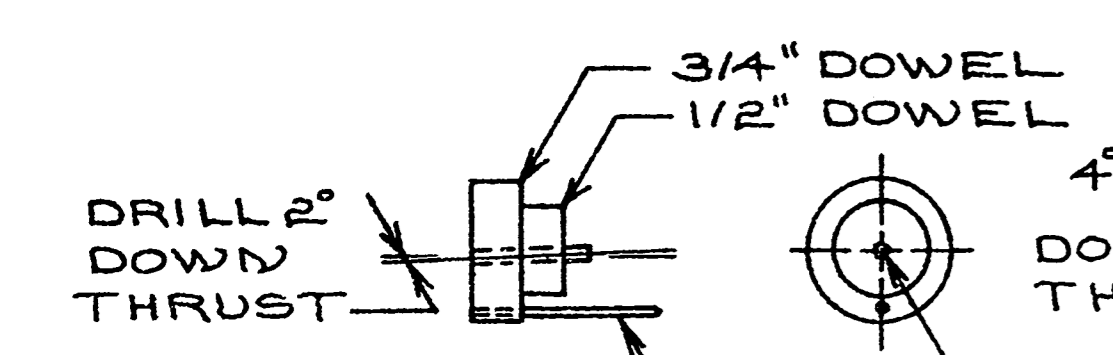


FRONT CABANE STRUT
TRUE LENGTH SHOWN
REAR STRUT IS
1/16" SHORTER

CANOPY FABRICATED FROM
.003 SHEET ACETATE
OR VACUFORMED

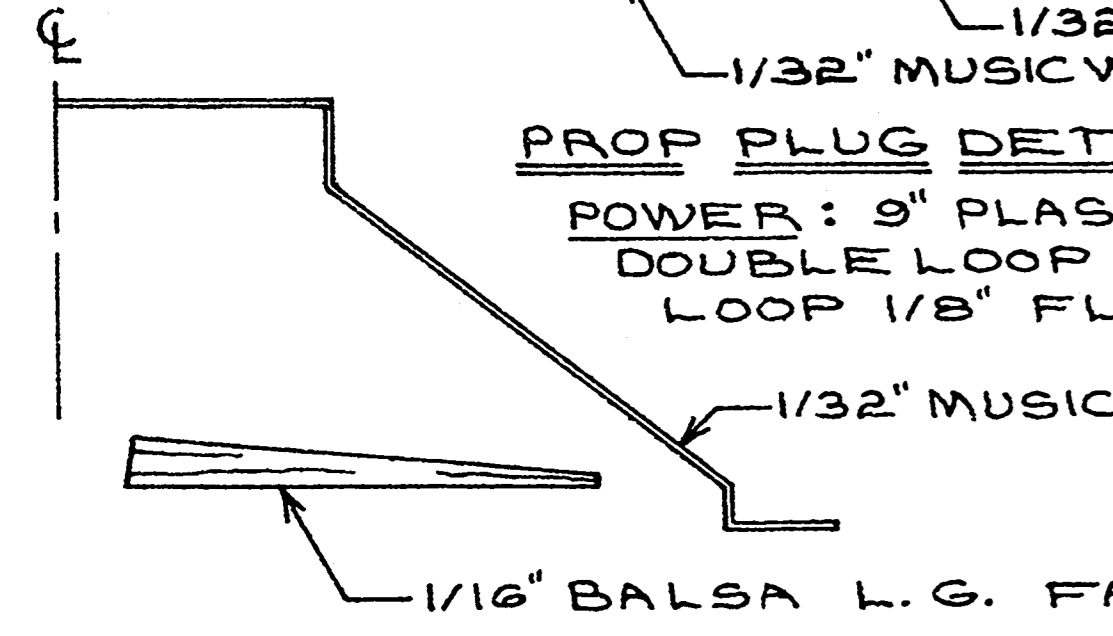
1/32" PLY INLET BEHIND
1/4" BALSA NOSE BLOCK
DRILL 1/32" INDEXING HOLES

SPINNER TURNED FROM 6
LAMINATED 1/4" BALSA DISKS

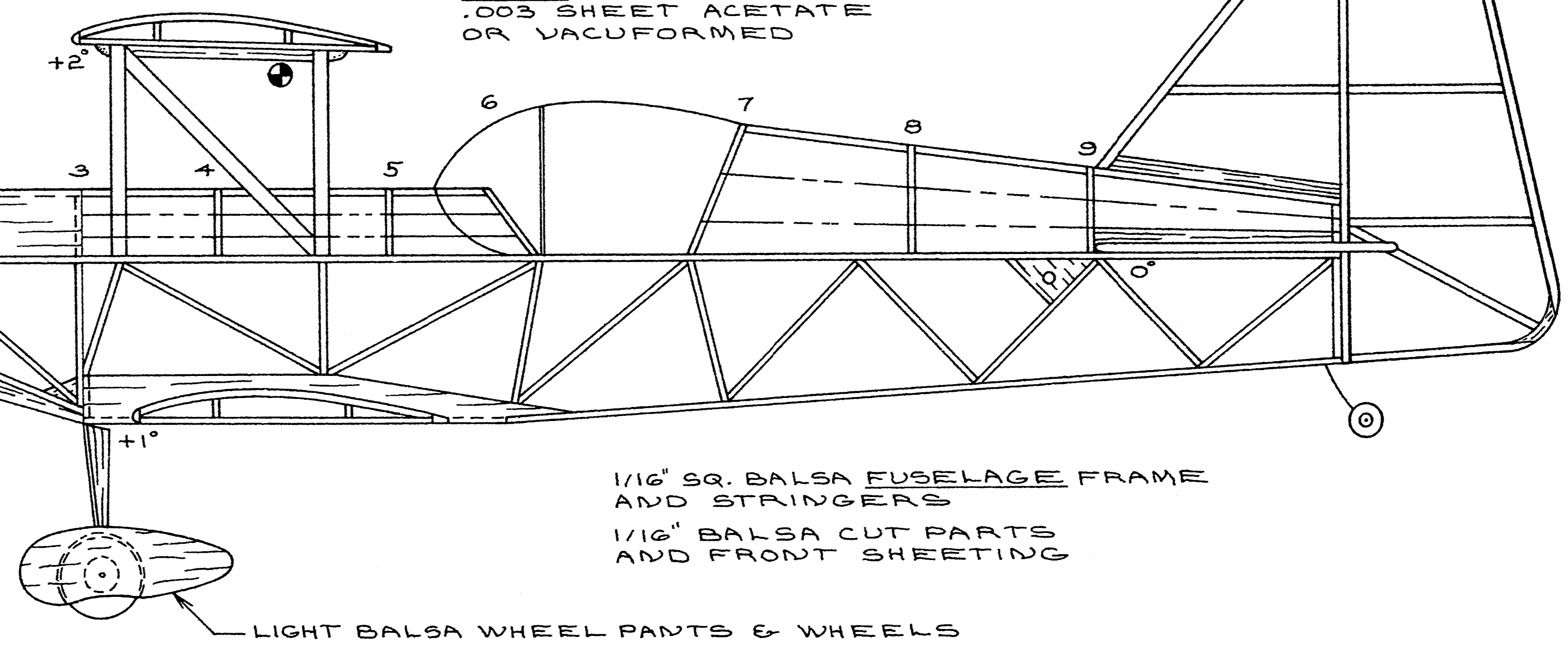


PROP PLUG DETAIL
POWER: 9" PLASTIC PROP - 26"
DOUBLE LOOP 3/16" FLAT & SINGLE
LOOP 1/8" FLAT FAI TAN RUBBER

1/32" MUSIC WIRE LANDING GEAR

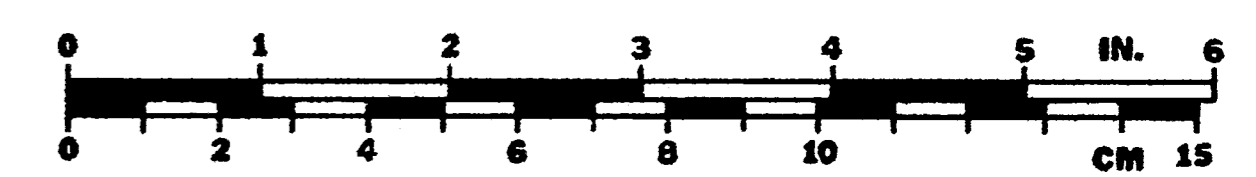


1/16" BALSA L.G. FAIRING



1/16" SQ. BALSA FUSELAGE FRAME
AND STRINGERS
1/16" BALSA CUT PARTS
AND FRONT SHEETING

LIGHT BALSA WHEEL PANTS & WHEELS



MODEL BUILDER
magazine
34249 Camino Capistrano, Capistrano Beach, CA 92624-1166

ULTIMATE BI-PLANE
WINGSPAN ————— 20 IN.
WING AREA ————— 145 SQ. IN.
LENGTH ————— 22-1/4 IN.
FLYING WEIGHT — 65-75 GRAMS
DESIGNED BY P. TRITTE

Plan No: 12942