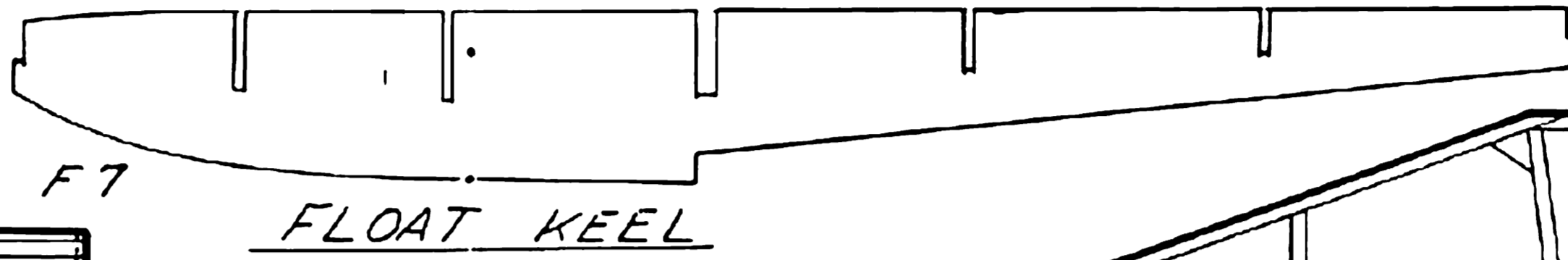
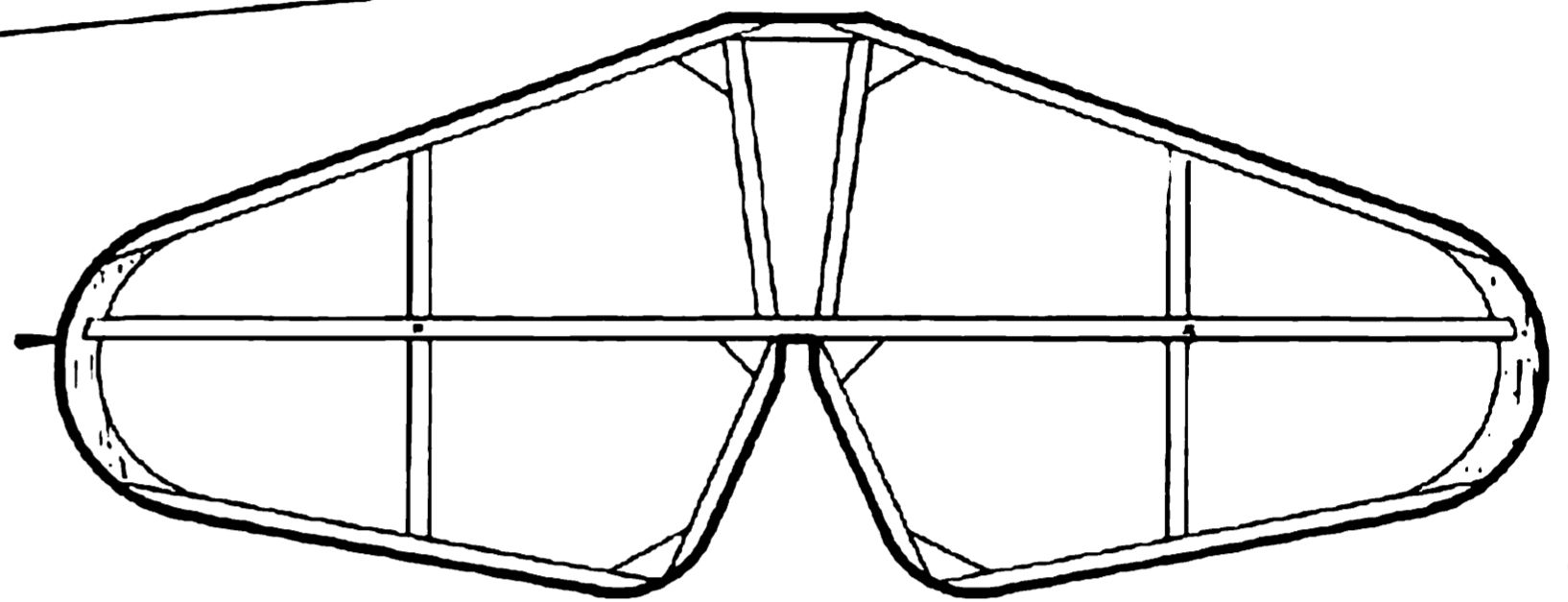


LIGHT WEIGHT TISSUE IS USED FOR COVERING,
DOUBLE COVER FLOAT BOTTOMS



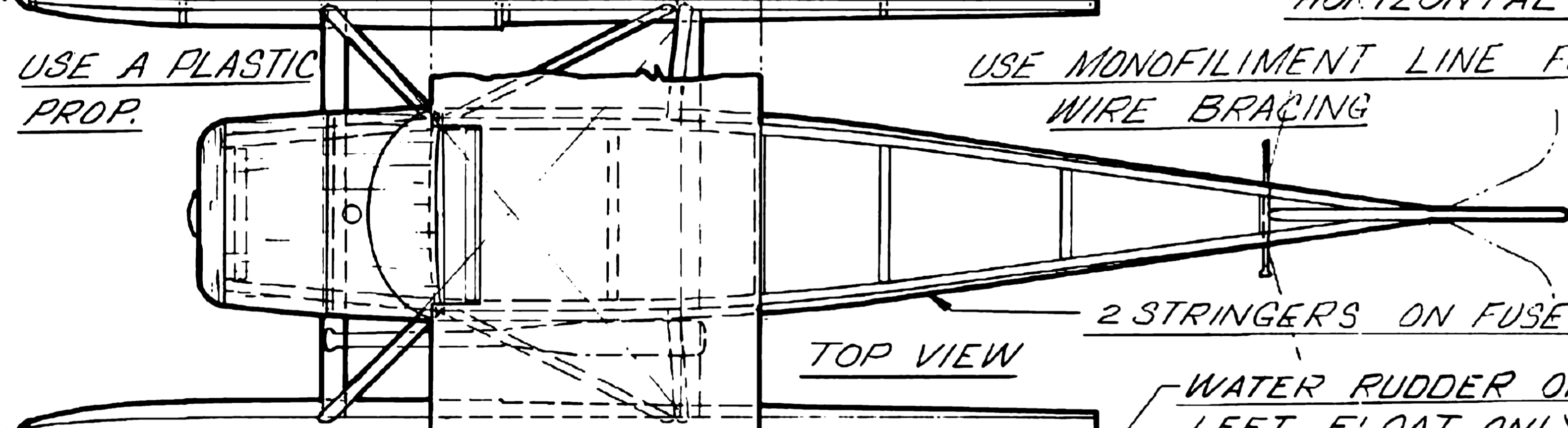
FLOAT KEEL

HORIZONTAL TAIL



USE A PLASTIC PROP.

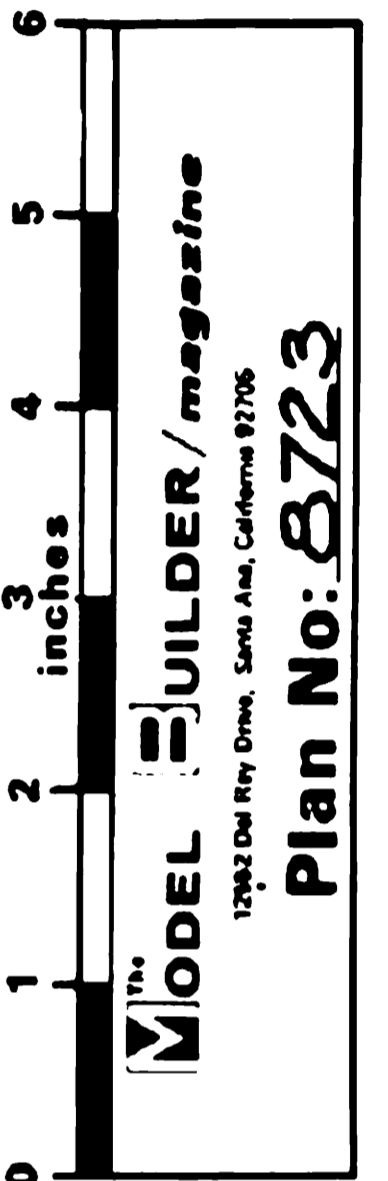
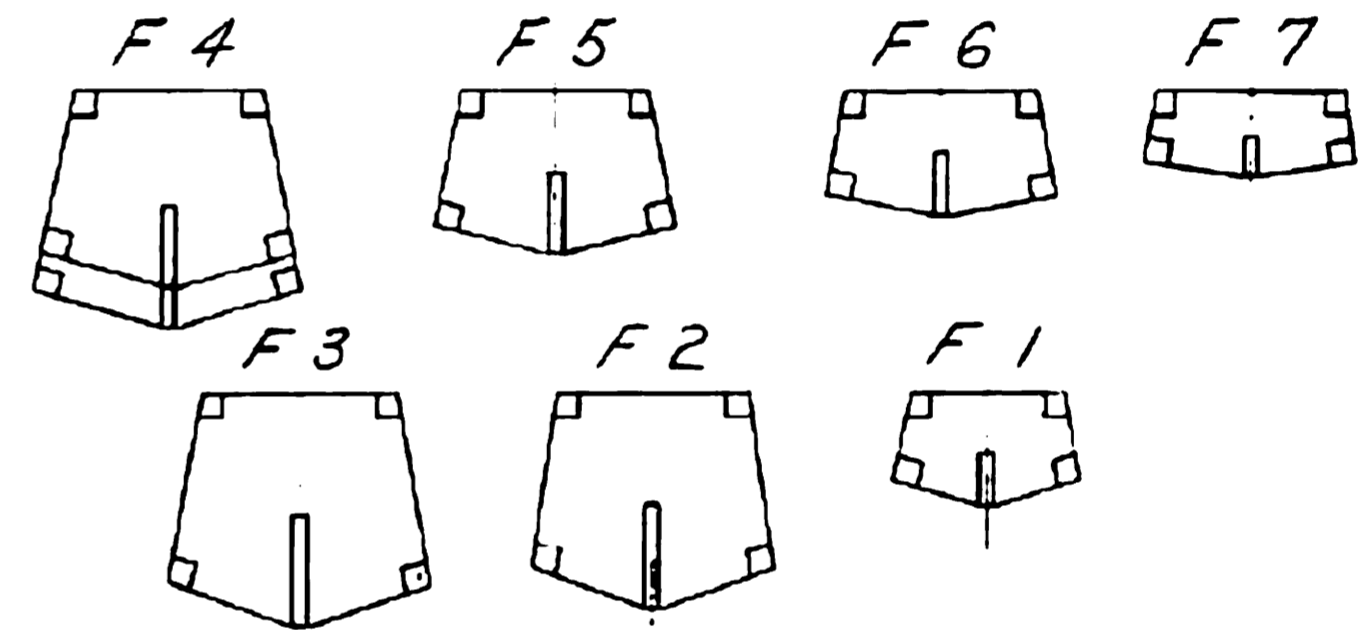
USE MONOFILAMENT LINE FOR WIRE BRACING



TOP VIEW

2 STRINGERS ON FUSELAGE SIDES

WATER RUDDER ON LEFT FLOAT ONLY



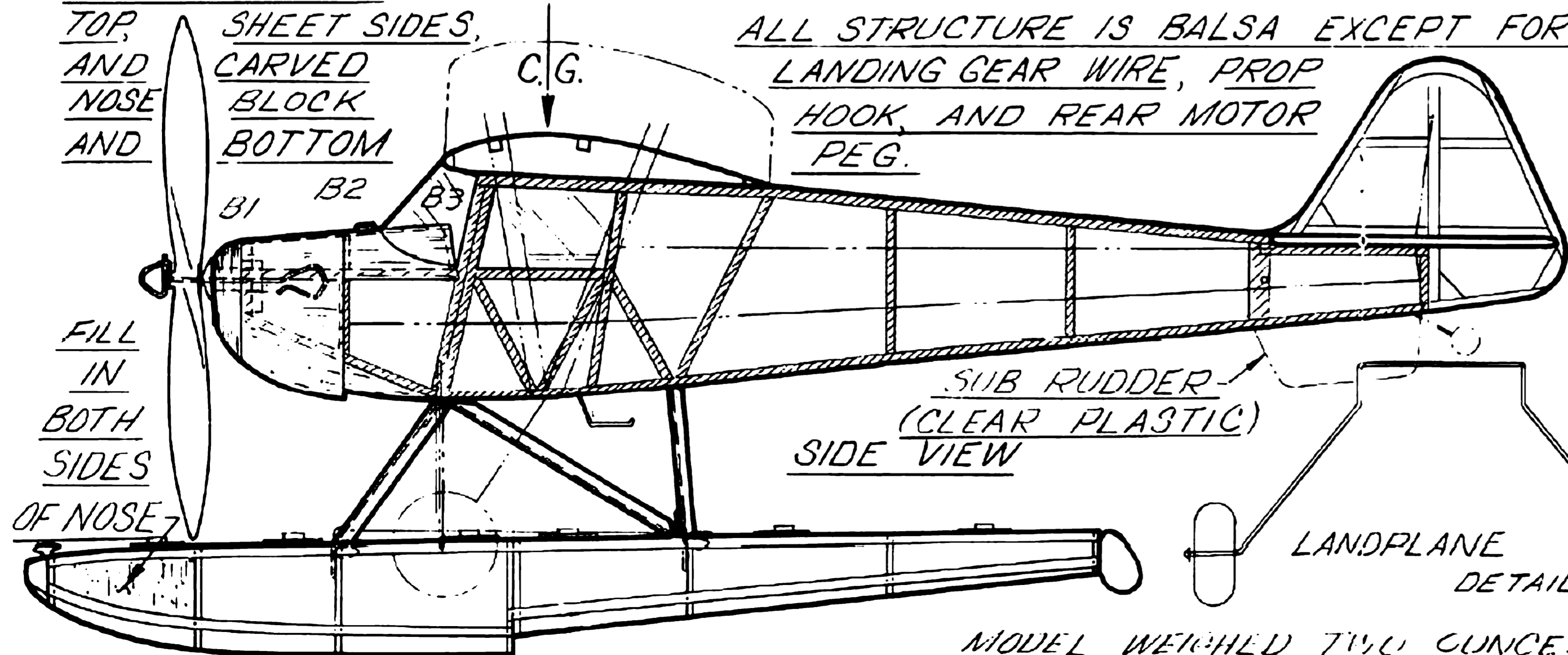
MODEL BUILDER/magazine
12842 Dal Rey Drive, Santa Ana, California 92705

Plan No: 8723

NOSE COWL HAS WRAPPED SHEET

TOP SHEET SIDES, AND CARVED BLOCK NOSE AND BOTTOM

ALL STRUCTURE IS Balsa EXCEPT FOR LANDING GEAR WIRE, PROP HOOK, AND REAR MOTOR PEG.



SUB RUDDER (CLEAR PLASTIC)
SIDE VIEW

FILL IN BOTH SIDES OF NOSE

LANDPLANE DETAILS



B1 LANDING GEAR FAIRING Balsa

USE HARD Balsa OR SPRUCE FOR FLOAT STRUTS

TAYLORCRAFT

Walt Mooney 5-14-72

MODEL WEIGHED TWO OUNCES - BEST TIME SO FAR 30 SECONDS R.O.V.

MODEL BUILDER

AUG 1972 Vol 2 No 10