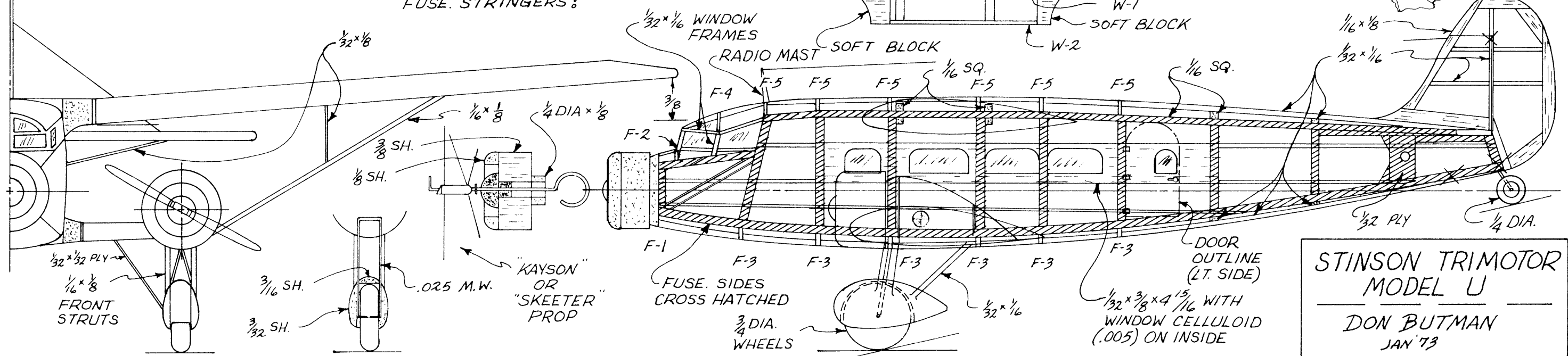
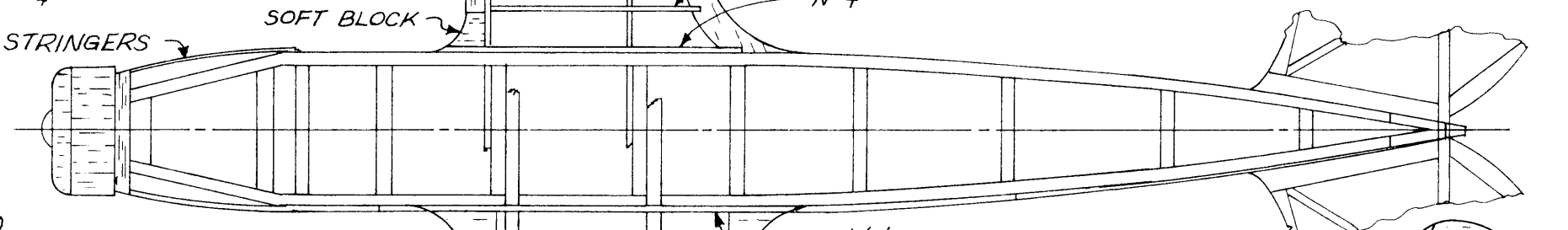


NOTE: BUILD SUB-WING AND NACELLES PRIOR TO INSTALLING FUSE. STRINGERS!



STINSON TRIMOTOR
MODEL U
DON BUTMAN
JAN '73