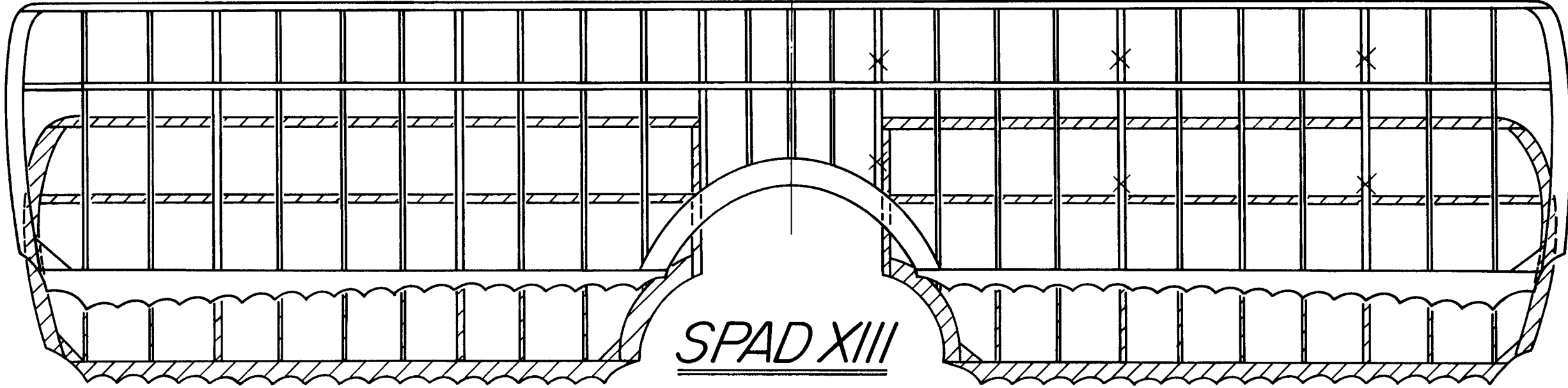
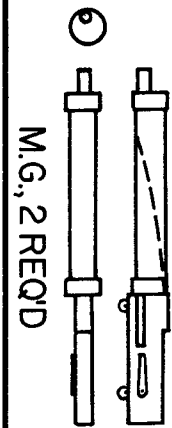
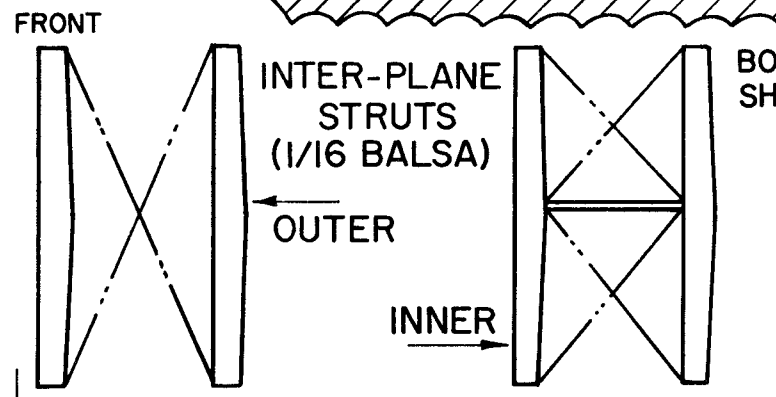
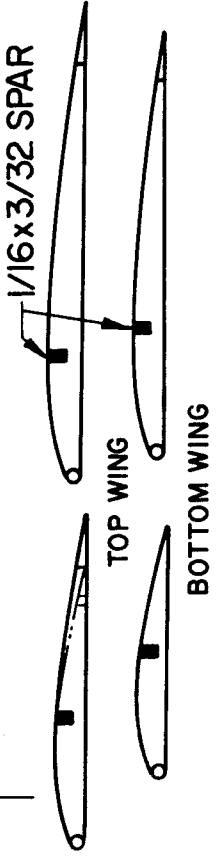


RIBS 1/32 THICK EXCEPT WHERE STRUTS ARE ATTACHED. THESE ARE 1/16 THICK

1/16 DIA. DOWEL LEADING EDGES



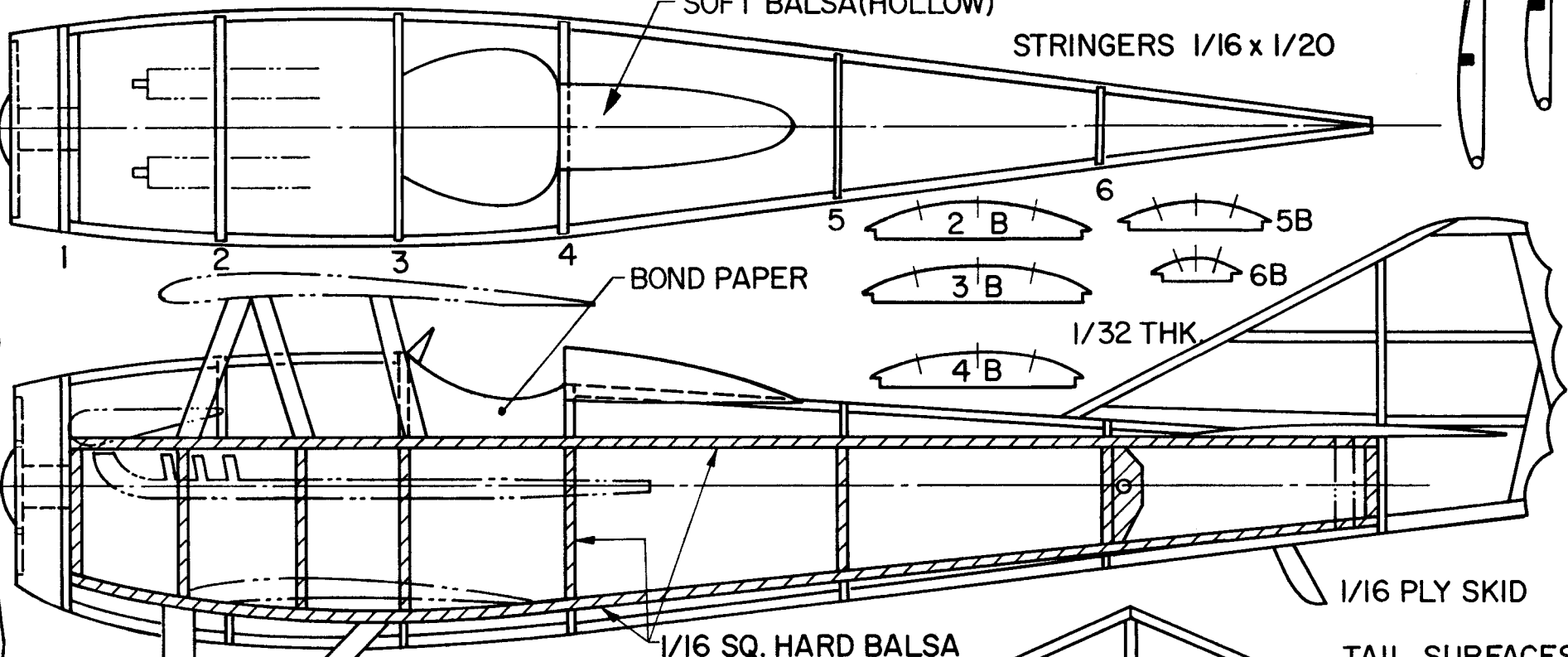
SPAD XIII



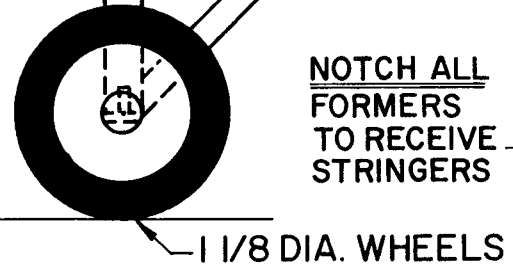
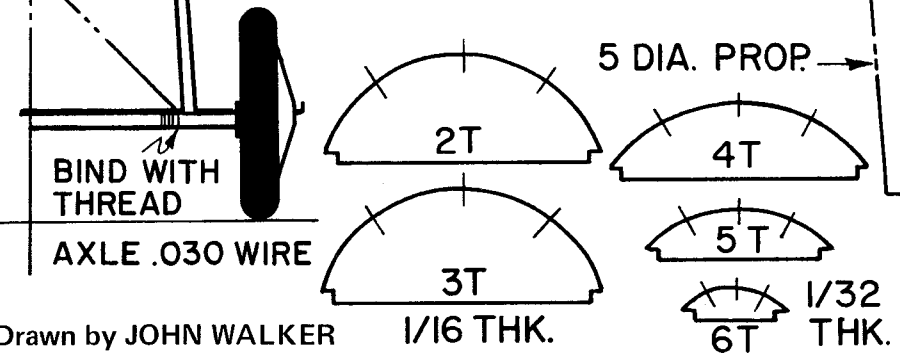
BOTTOM WING SHOWN SHADED

SOFT Balsa (HOLLOW)

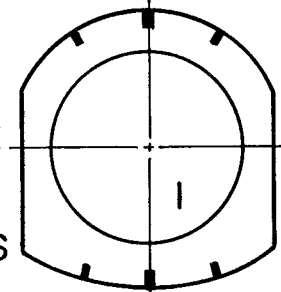
T.E. & TIPS 1/16 Balsa
STRINGERS 1/16 x 1/20



NO DIHEDRAL ON REAL SPAD,
3/8 DIHEDRAL UNDER EACH
WING ON MODEL.



NOTCH ALL FORMERS TO RECEIVE STRINGERS



1/16 THK.

MAKE EXHAUST OF 1/8 DOWEL (2 REQ'D)

ELEV. BRACE, 2 REQ'D

Drawn by JOHN WALKER