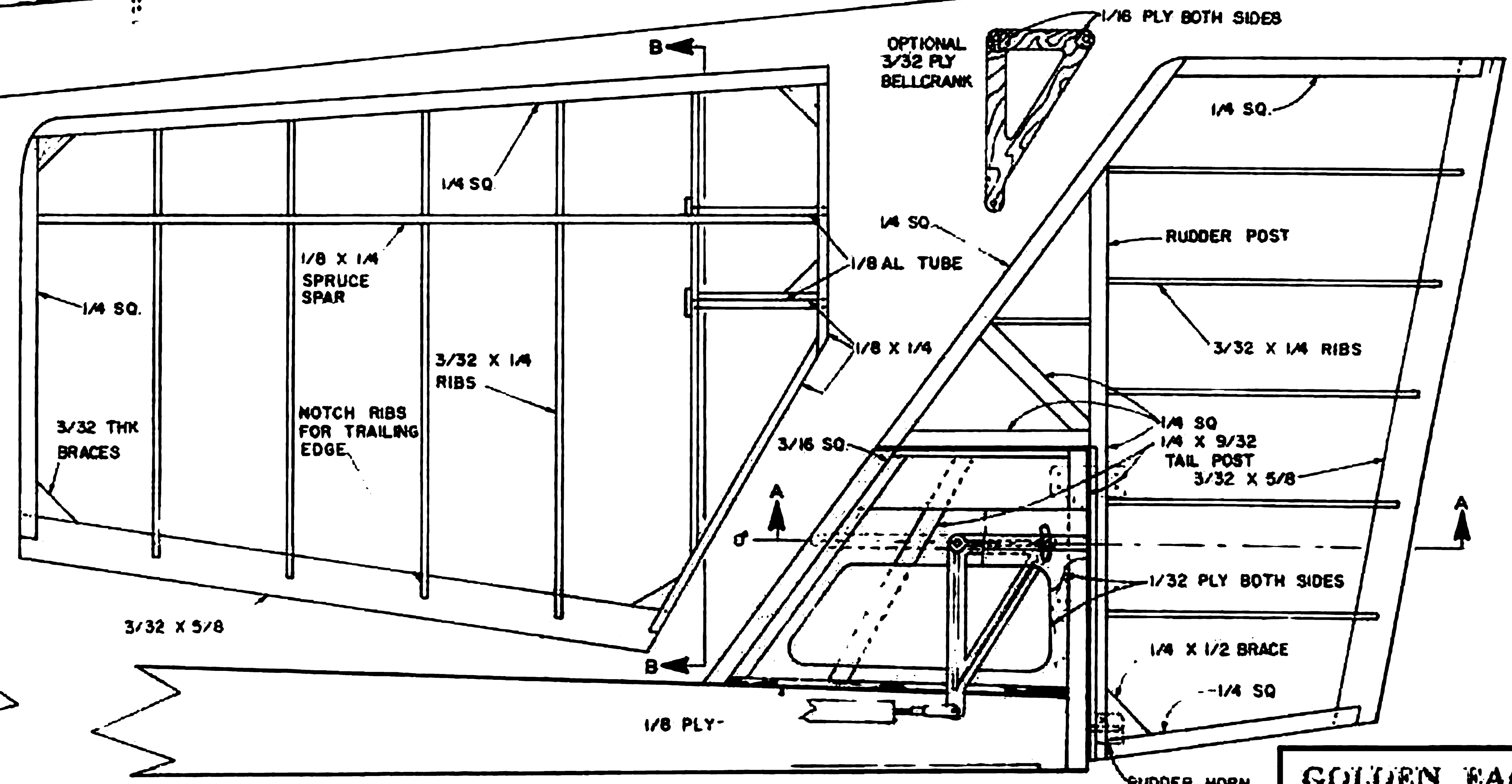
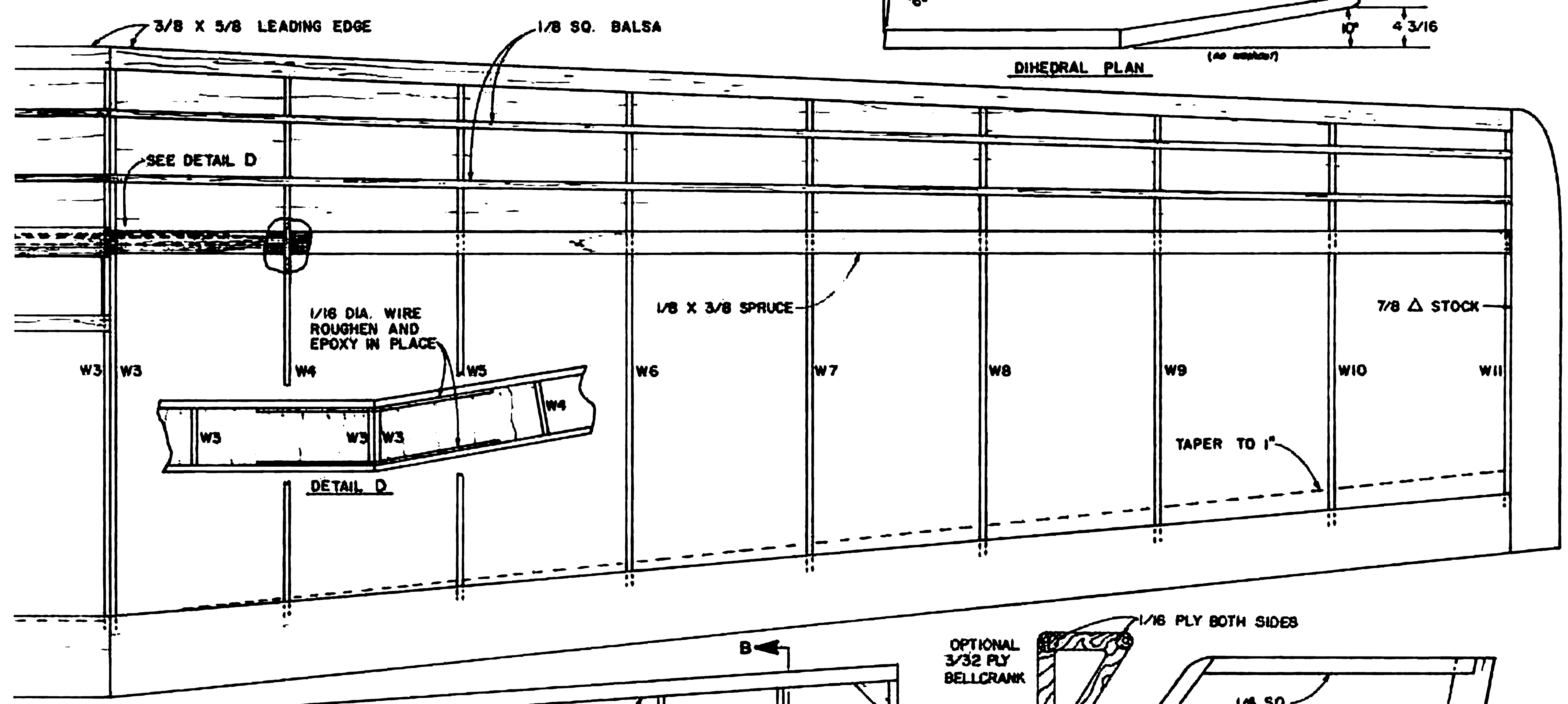
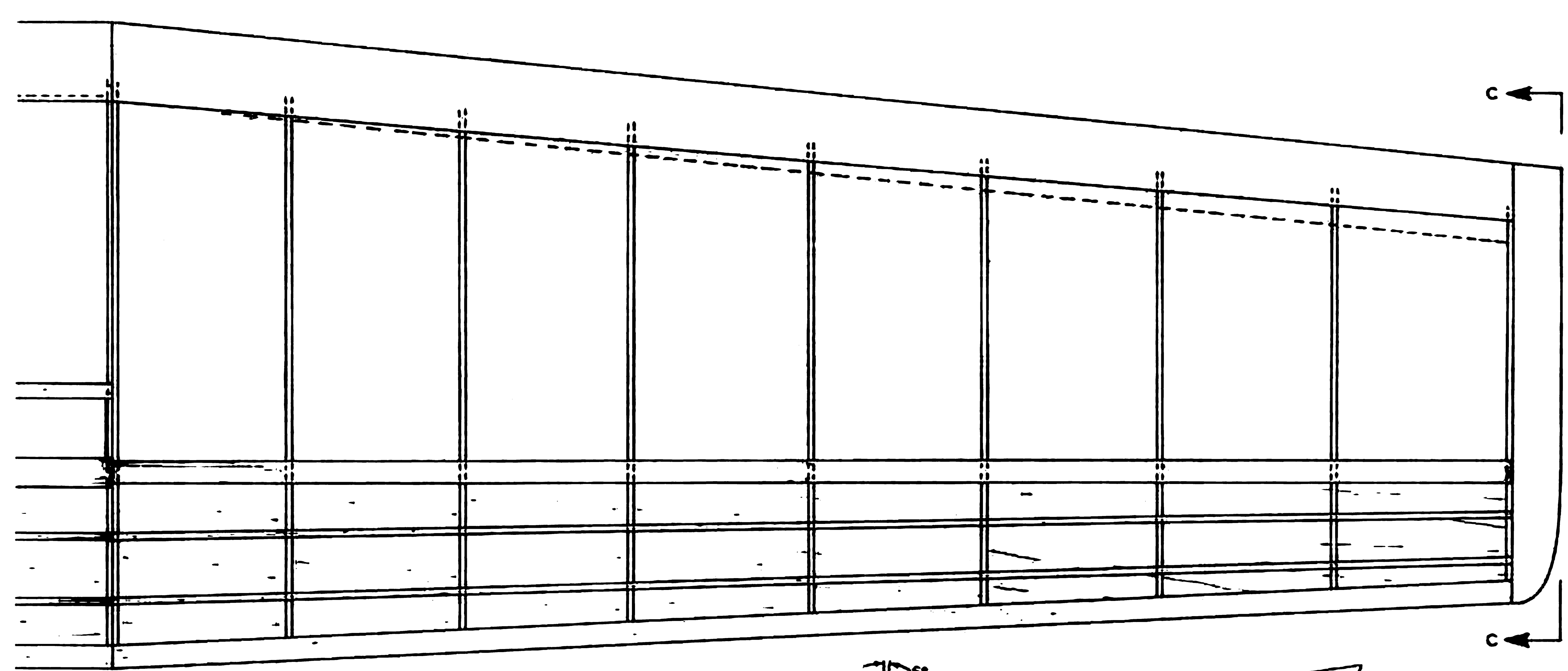
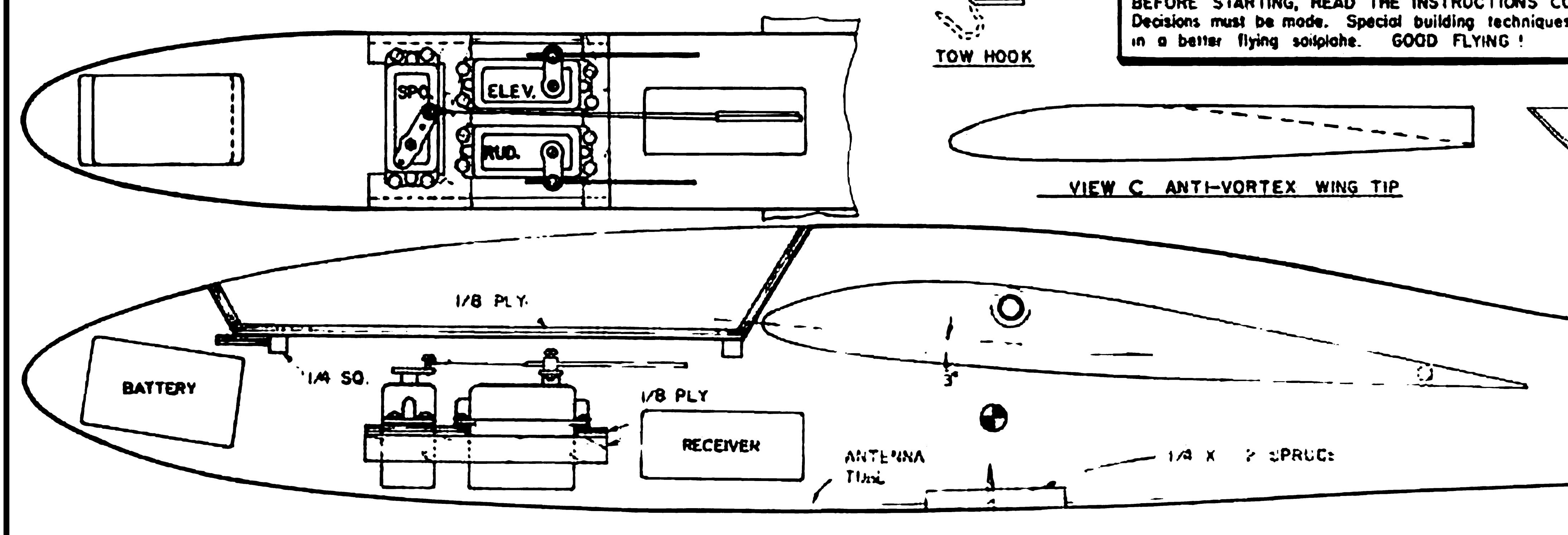
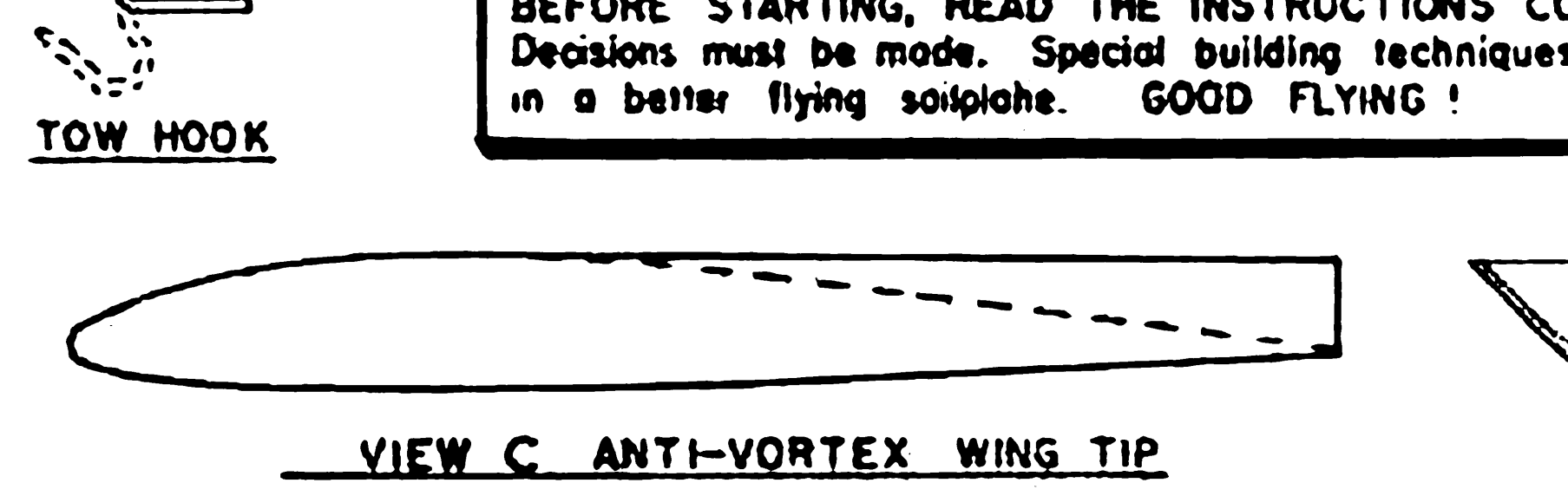
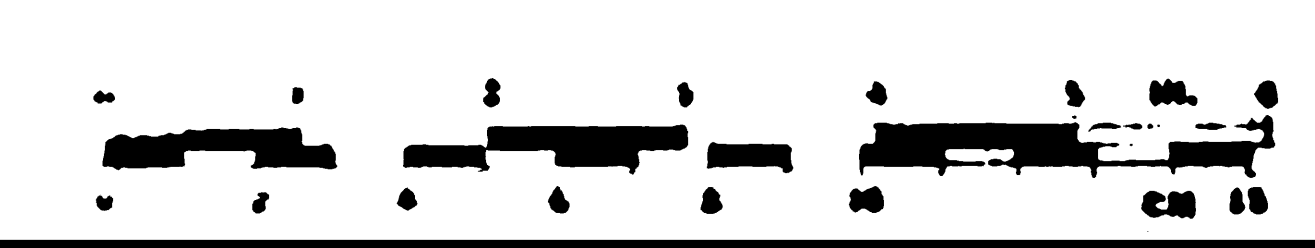


BEFORE STARTING, READ THE INSTRUCTIONS CC
Decisions must be made. Special building techniques
in a better flying sculpture. GOOD FLYING!



TELY.
result



22 -46" TO NOSE
MODEL BUILDER
magazine

GOLDEN EAGLE
DESIGNED BY TOM WILLIAMS 1/4/60
Plan No: 2892

H.E