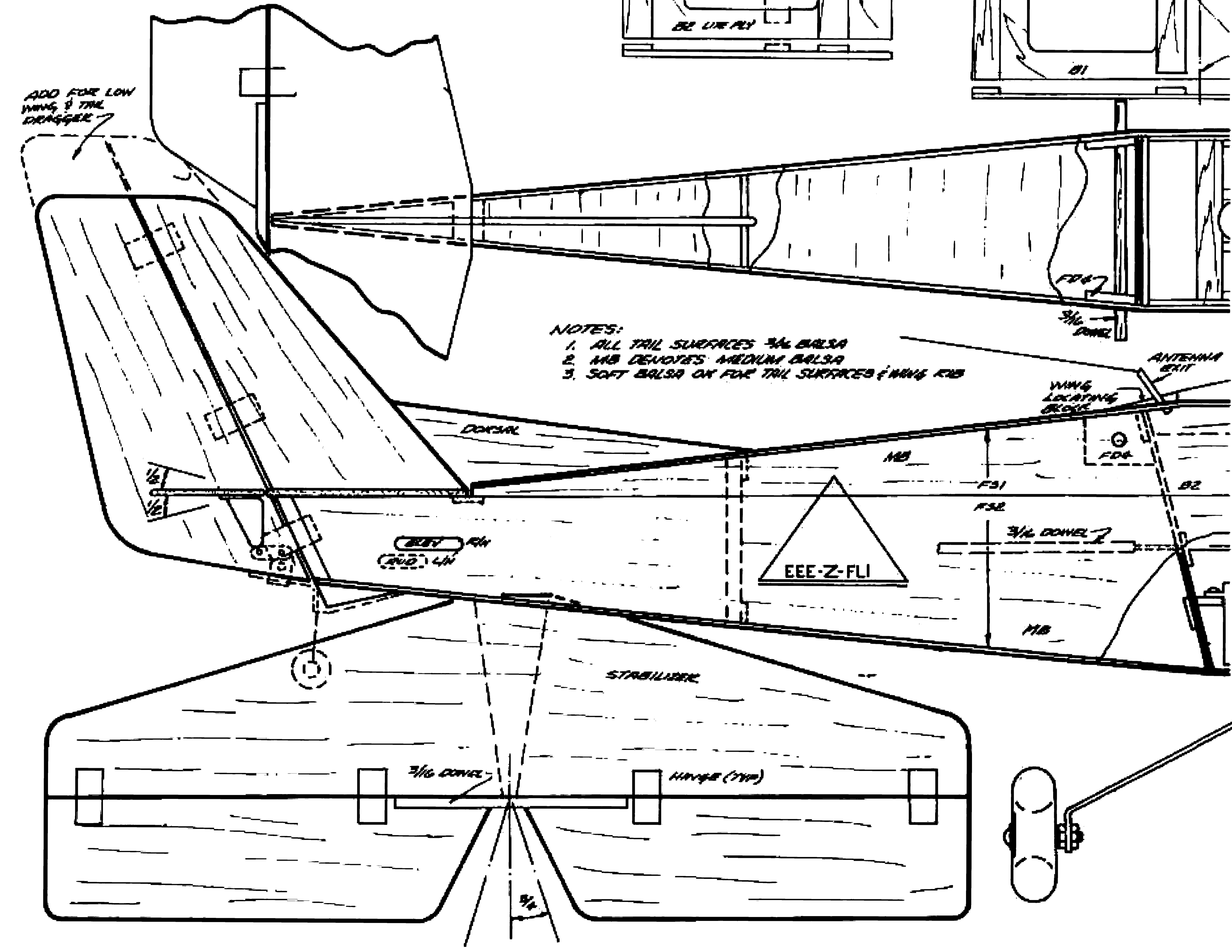
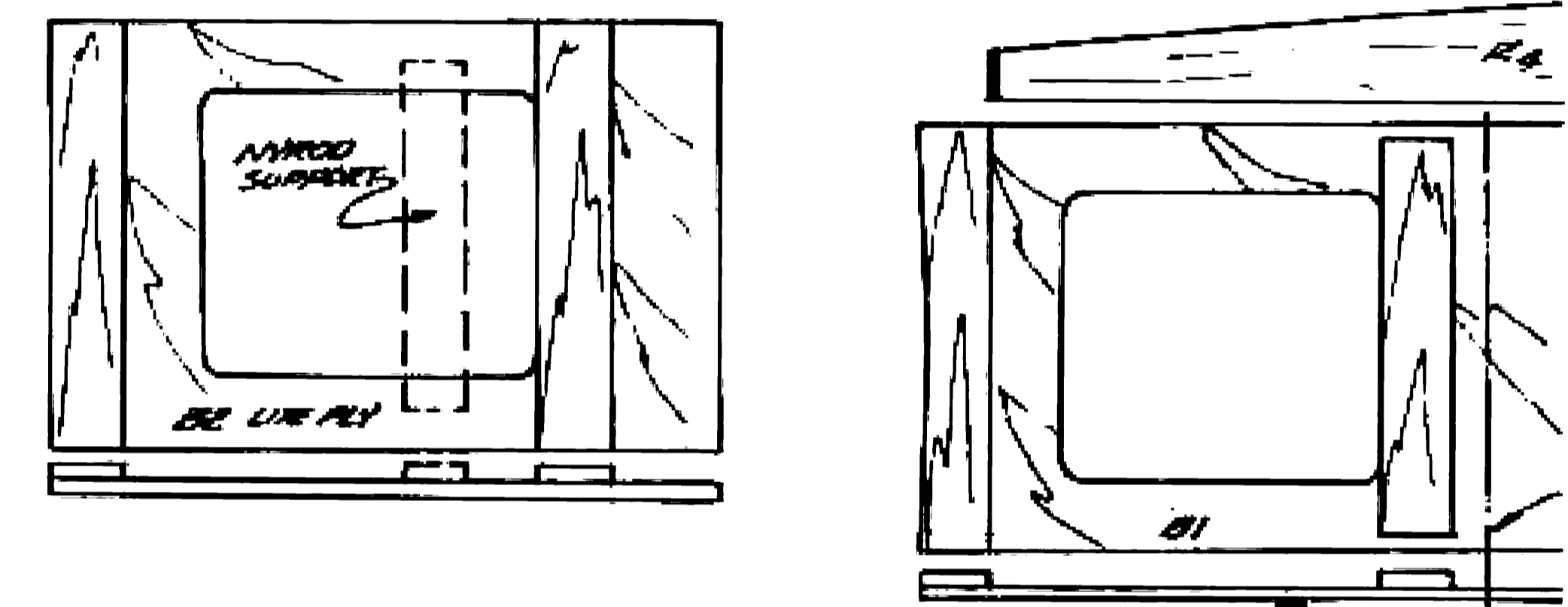
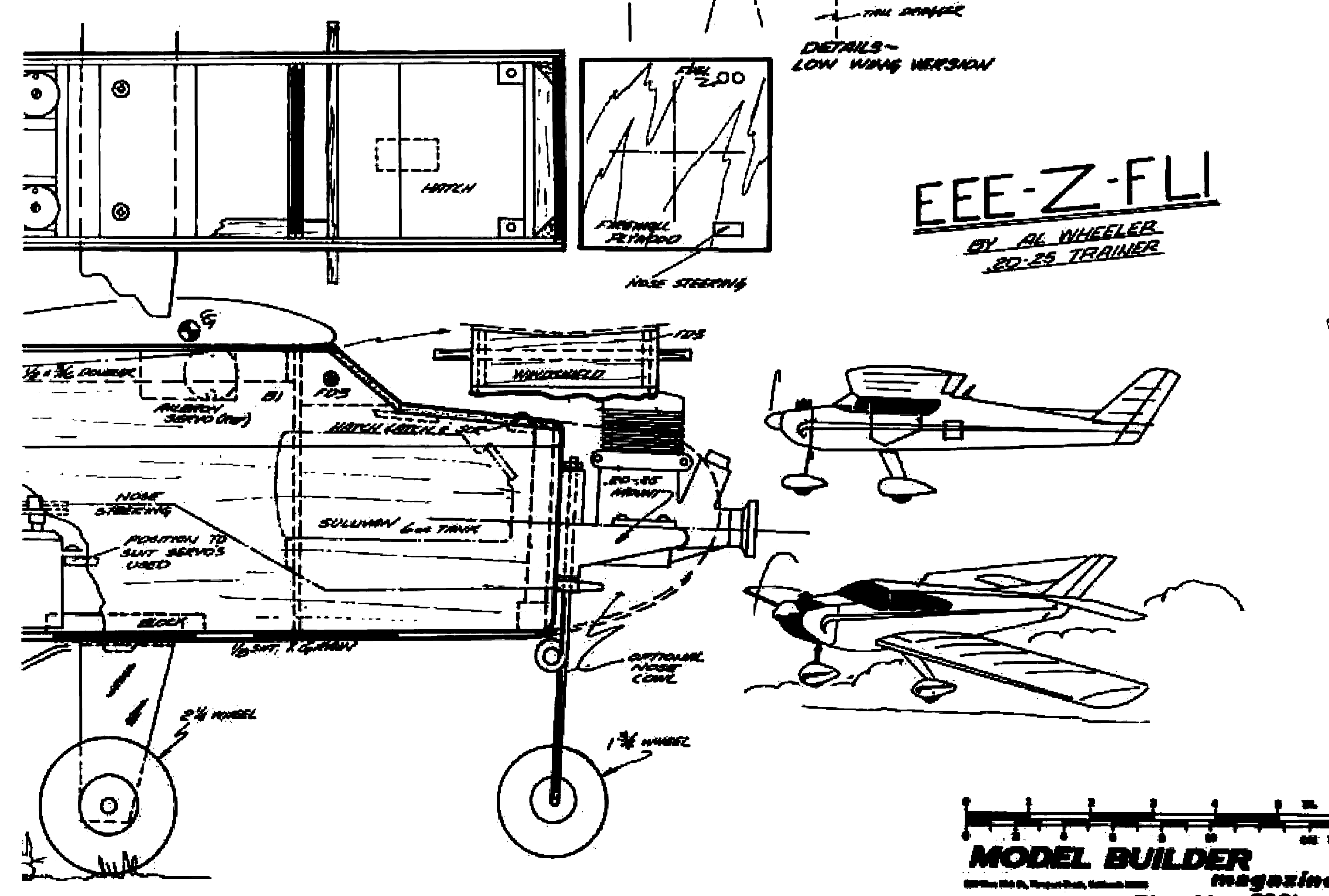
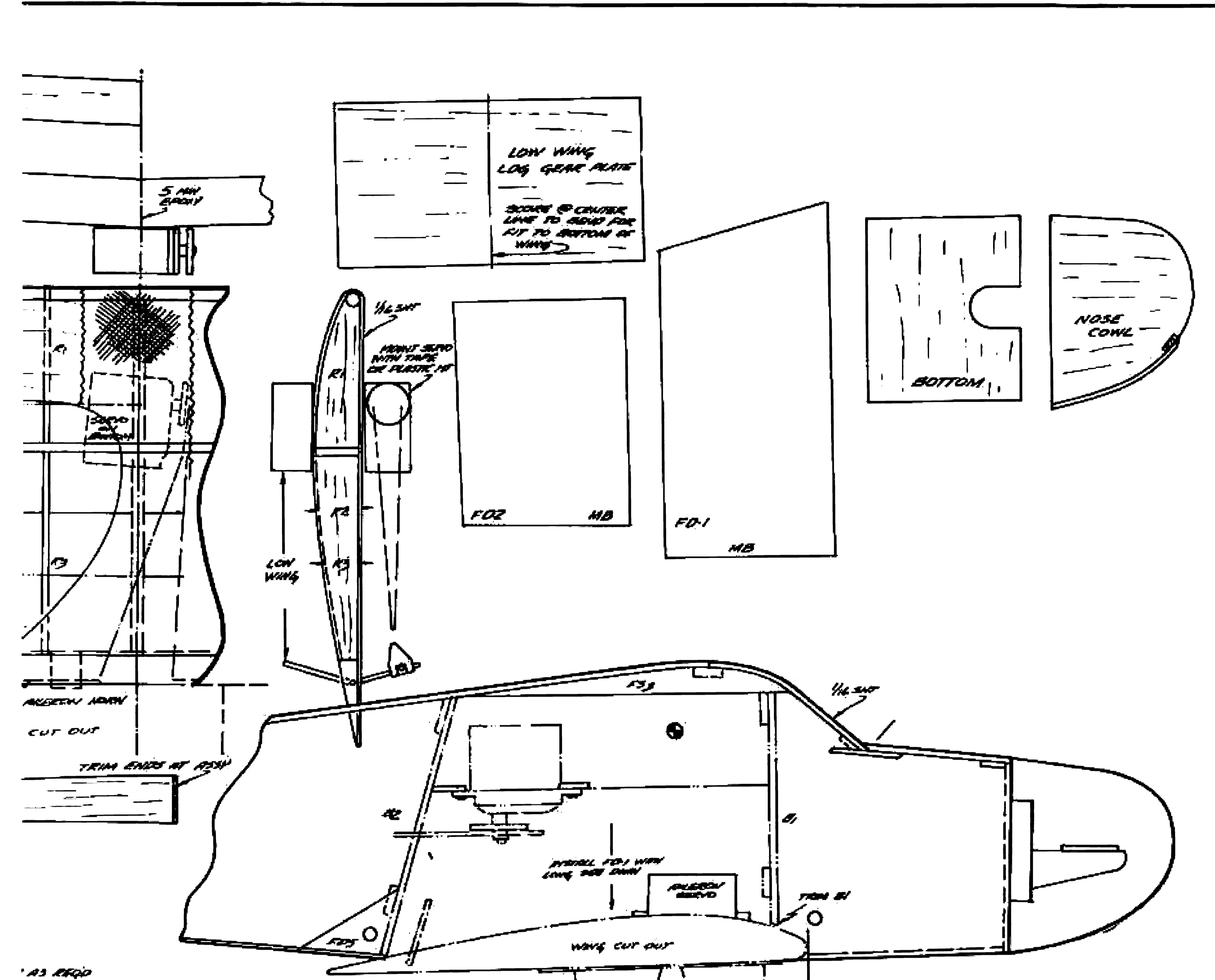


NOTE: BUILD FLAT. THIS TYPE OF WING CONST. RESISTS CORRECTING WARRING



- NOTES:
 1. ALL TAIL SURFACES 3/16 Balsa
 2. NB DENOTES MEDIUM Balsa
 3. SOFT Balsa ON FOX TAIL SURFACES & WING FOX



EEE-Z-FLI
 BY AL WHEELER
 ED-25 TRAINER