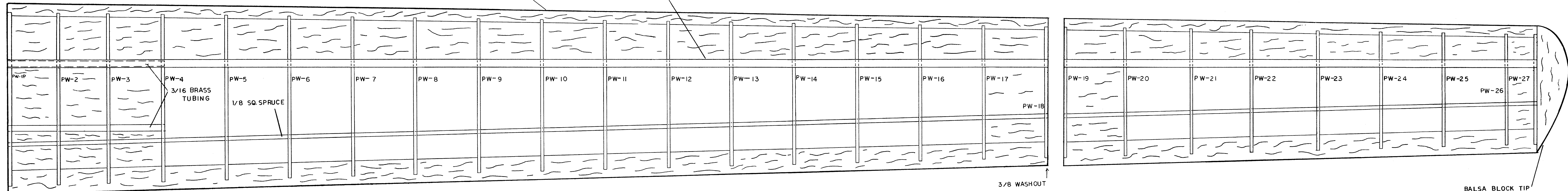
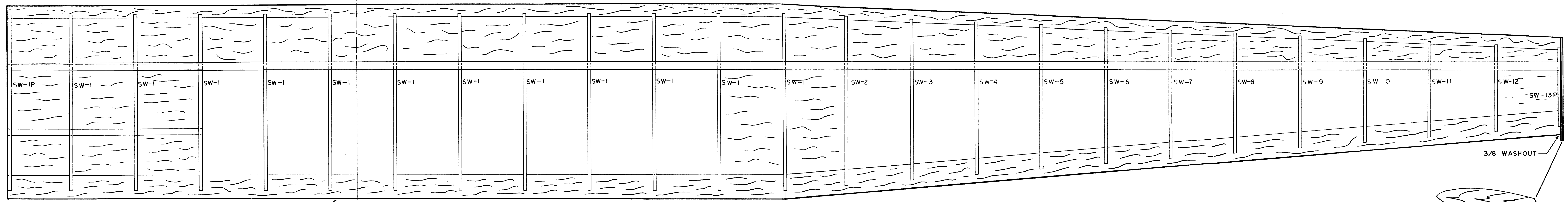
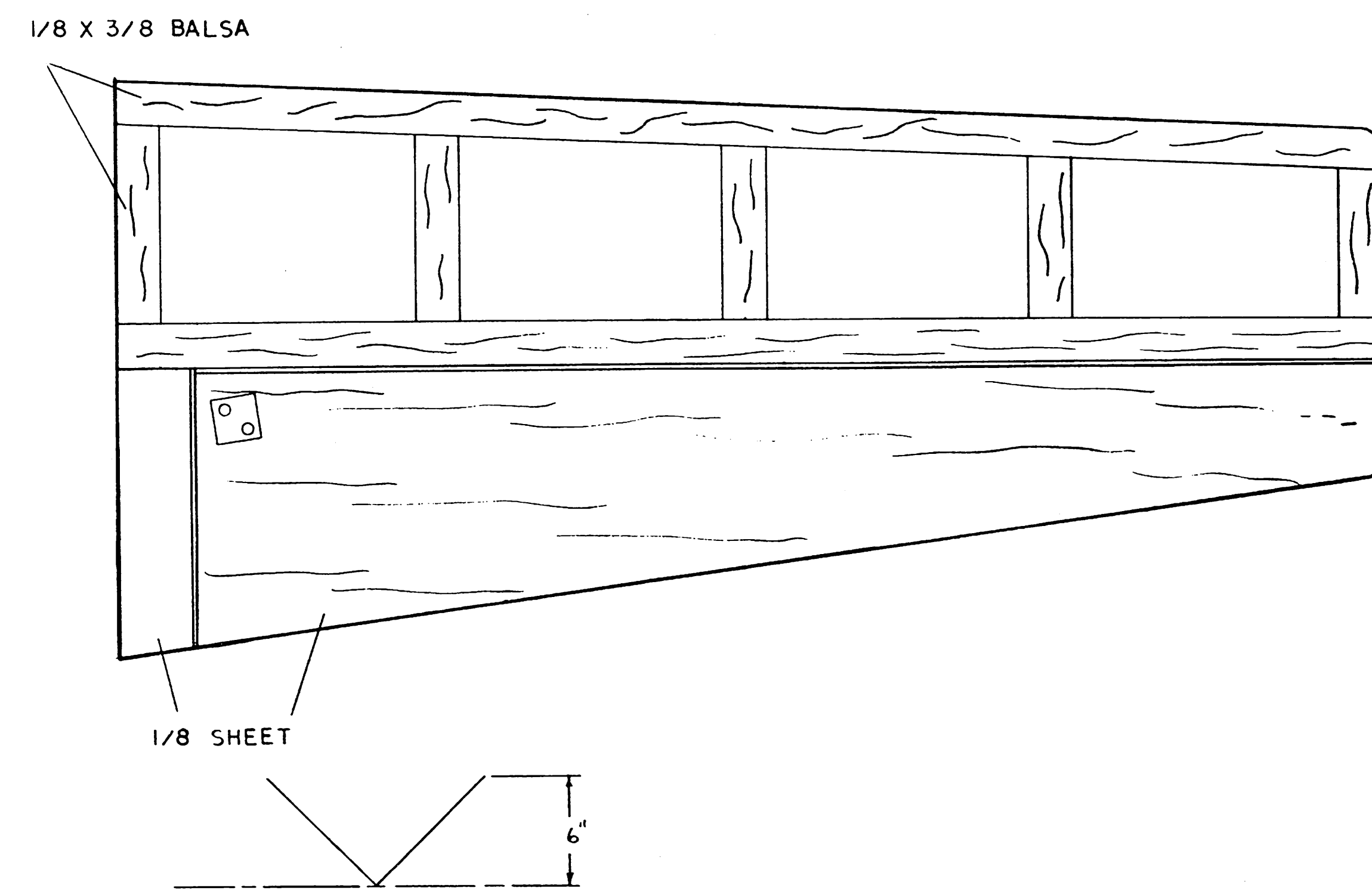
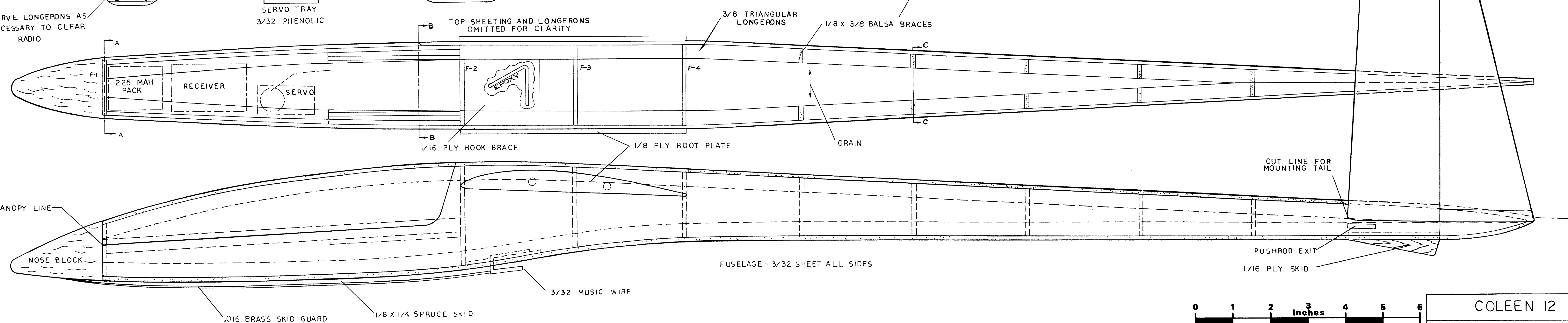
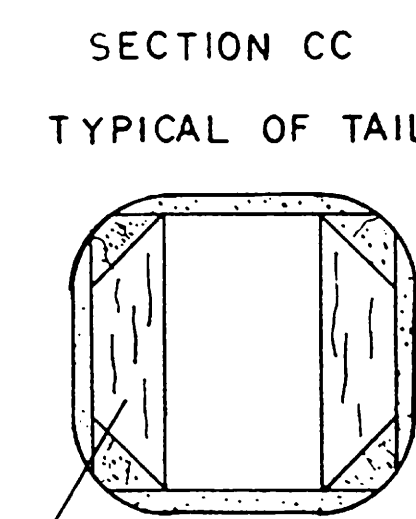
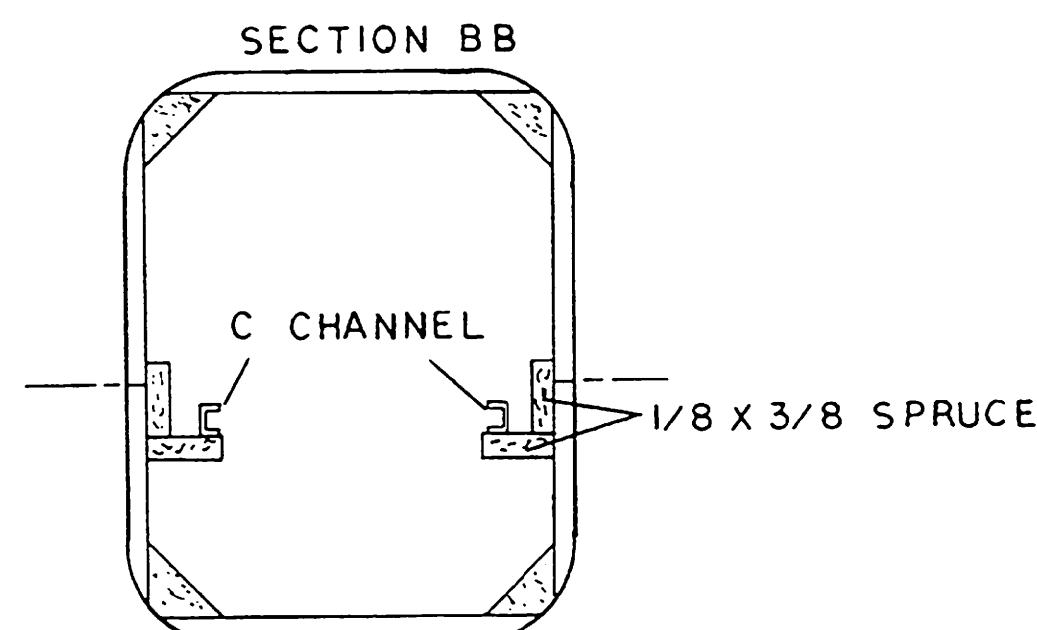
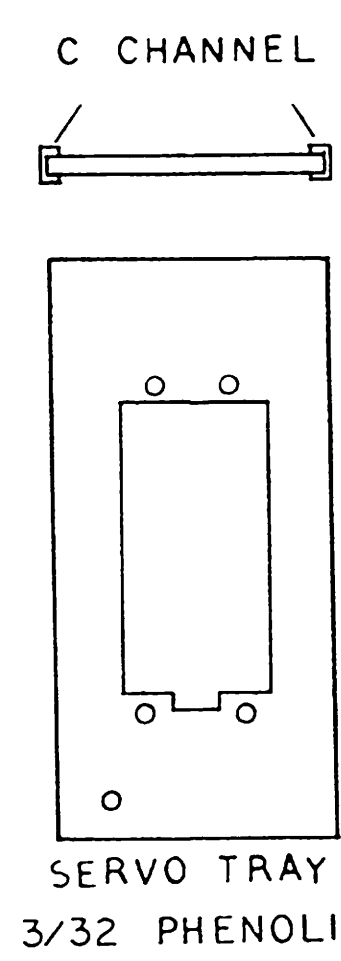
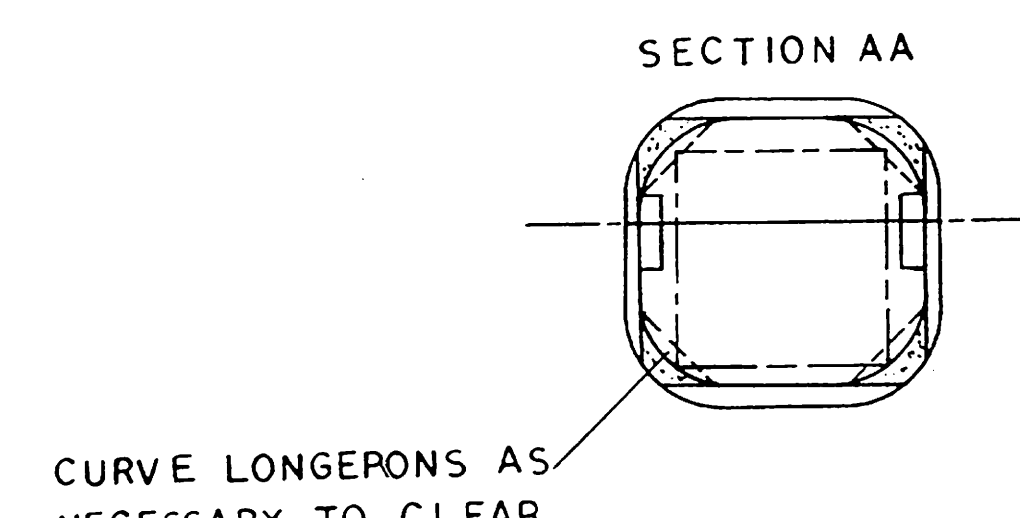
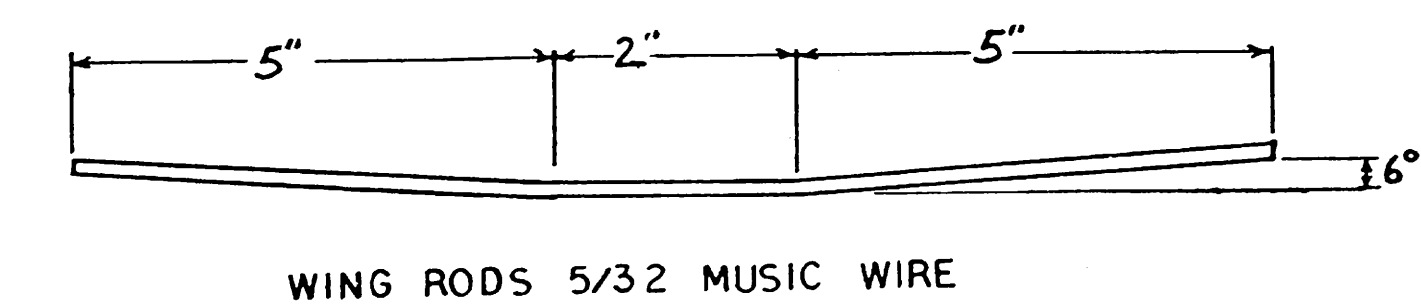
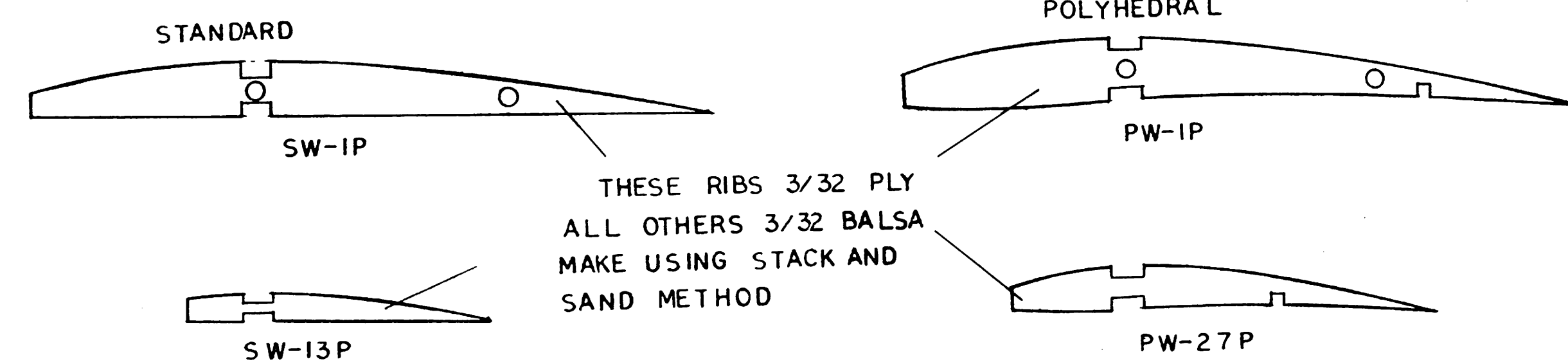
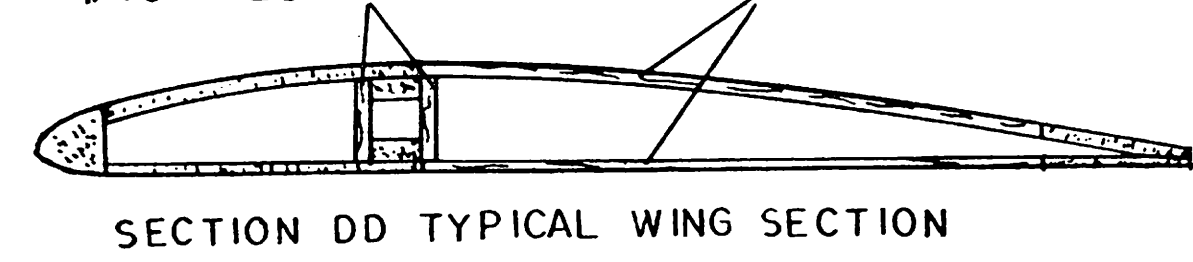


TAPER SPARS TO 1/16 X 3/8 AT TIP



POLYHEDRAL WING 1/16 Balsa SHEAR WEBS ALL CAPSTRIPS 1/16 X 1/4 Balsa



0 1 2 3 4 5 6 inches  
THE MODEL BUILDER magazine  
12532 Del Rey Drive, Santa Ana, California 92705  
Plan No: 9721

COLEEN 12  
DESIGNED & DRAWN BY RANDY WARNER  
WING SPAN: 96 INCHES  
WING AREA: 504.50 INCHES