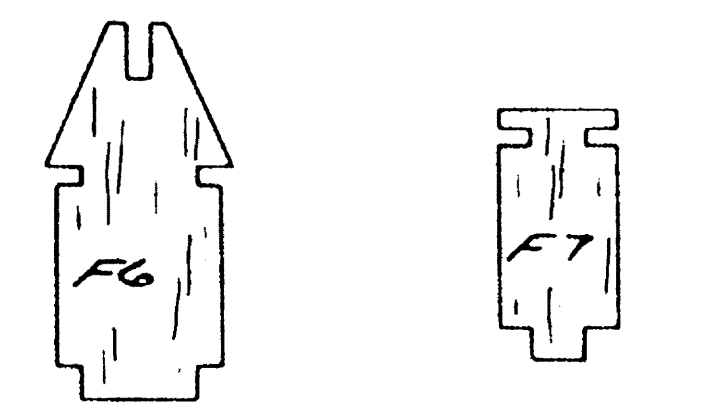
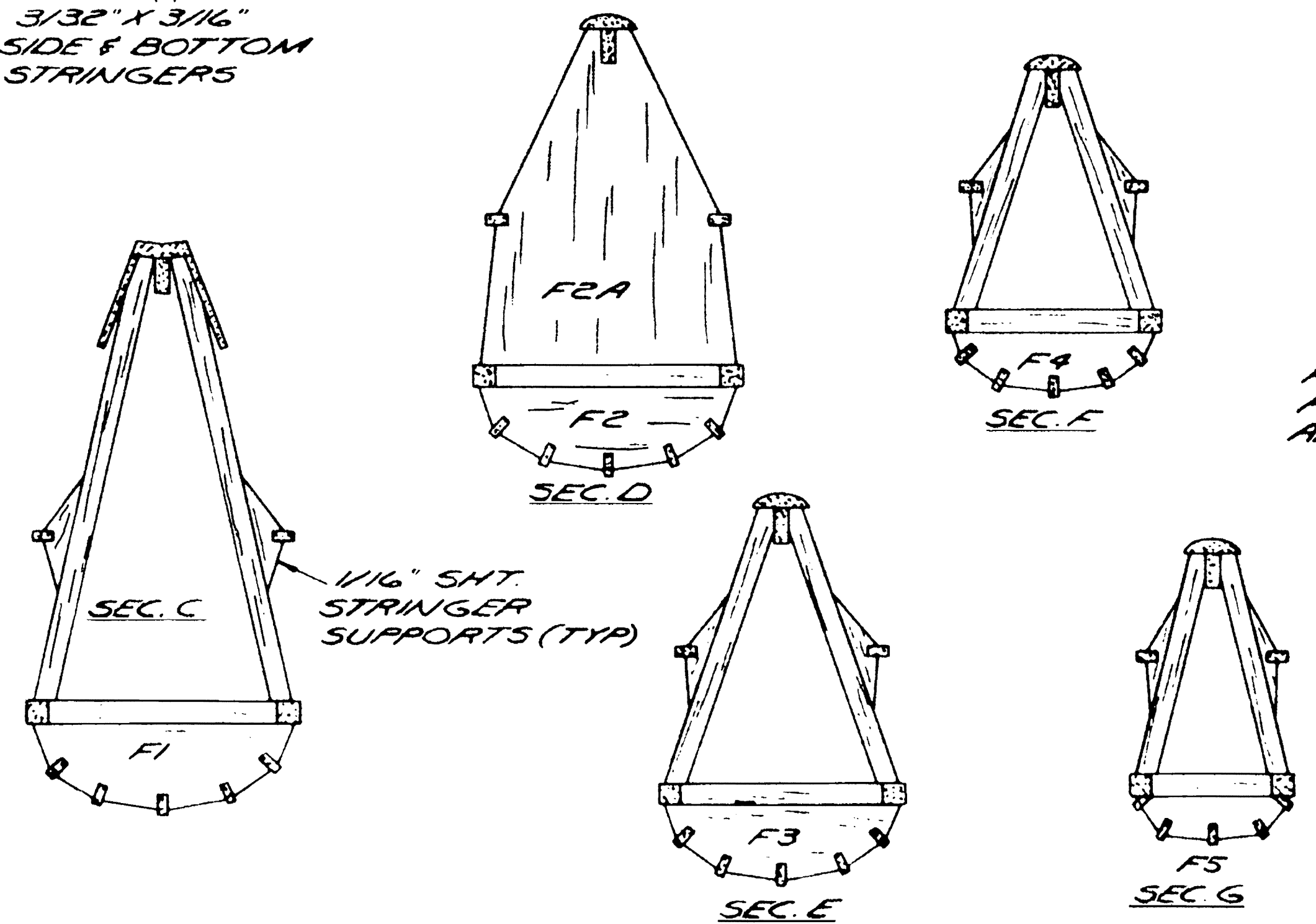
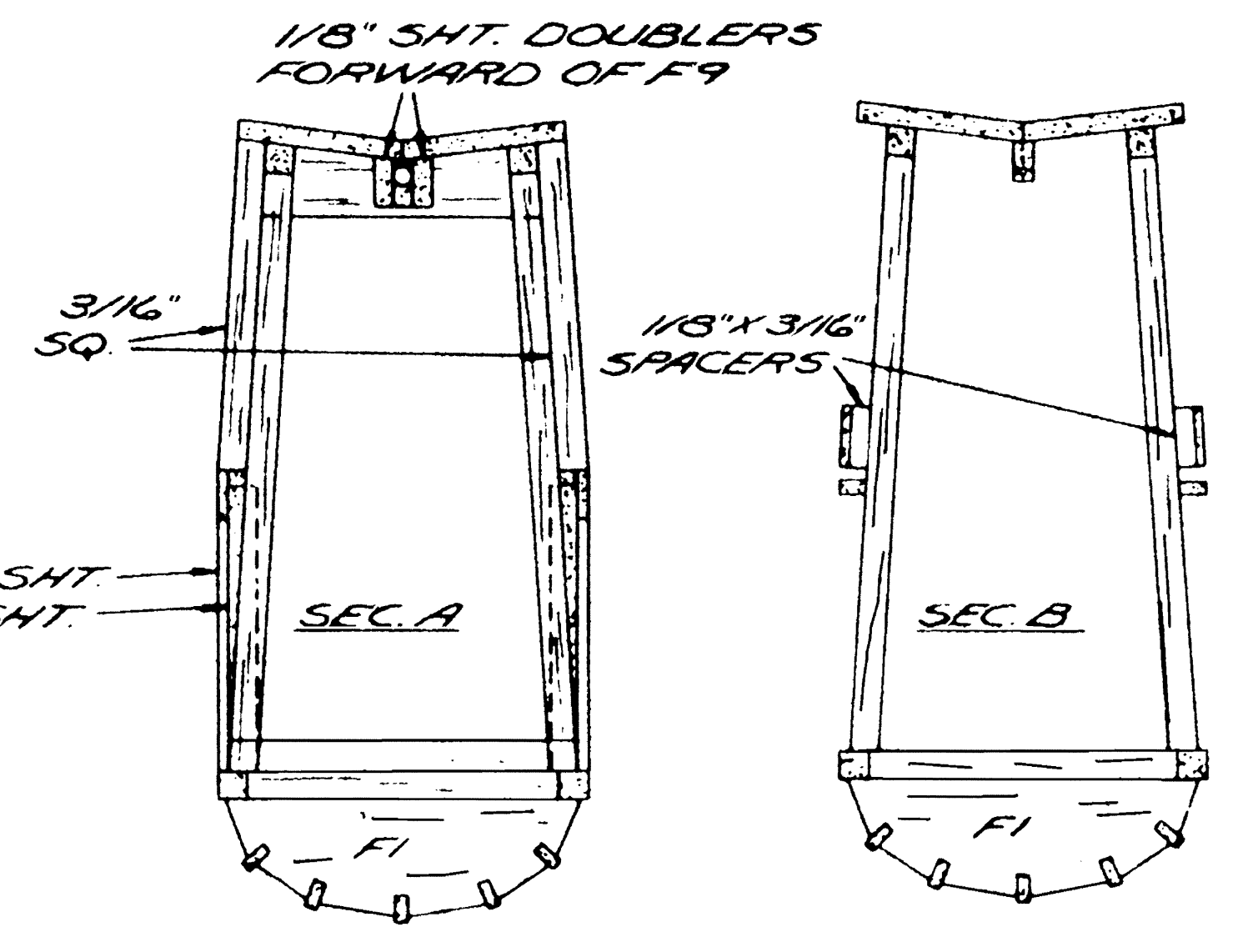
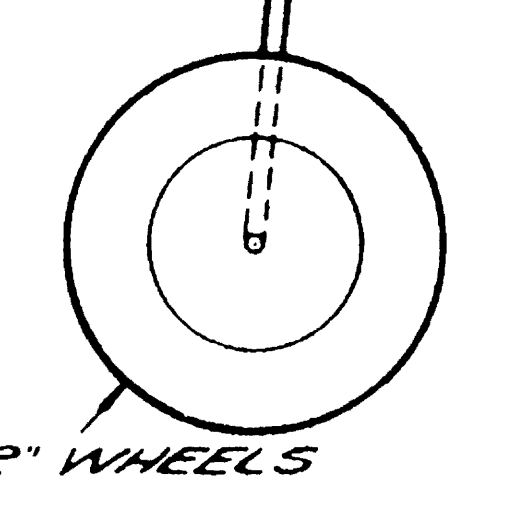
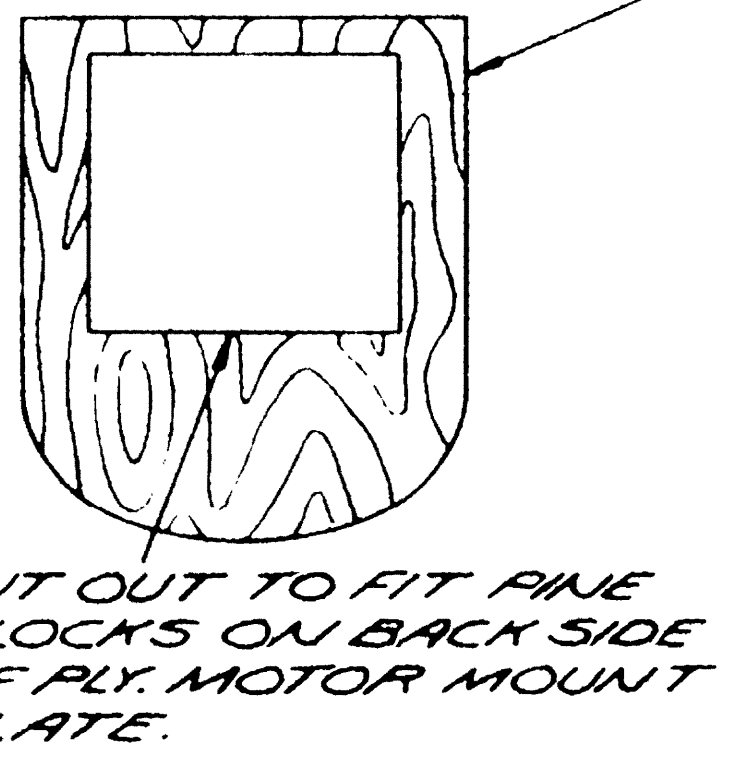
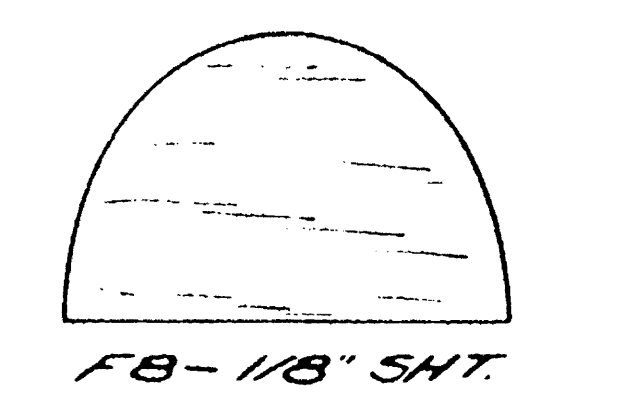
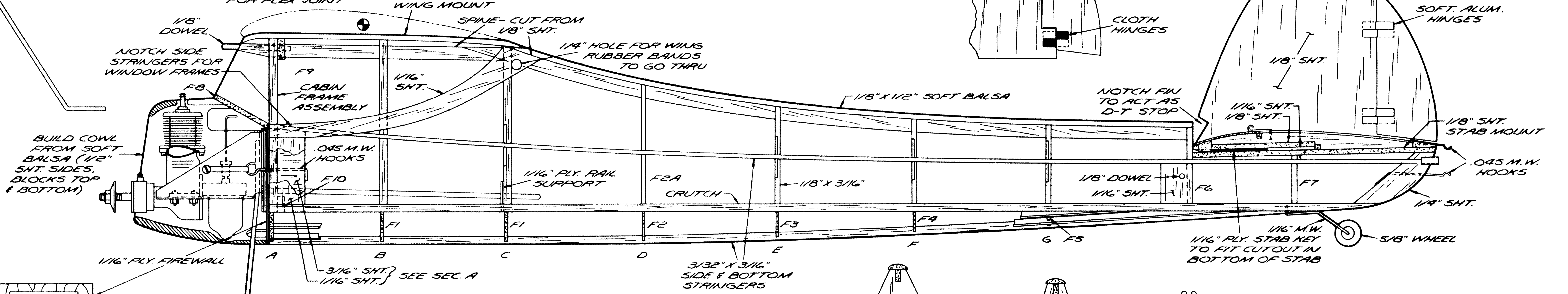
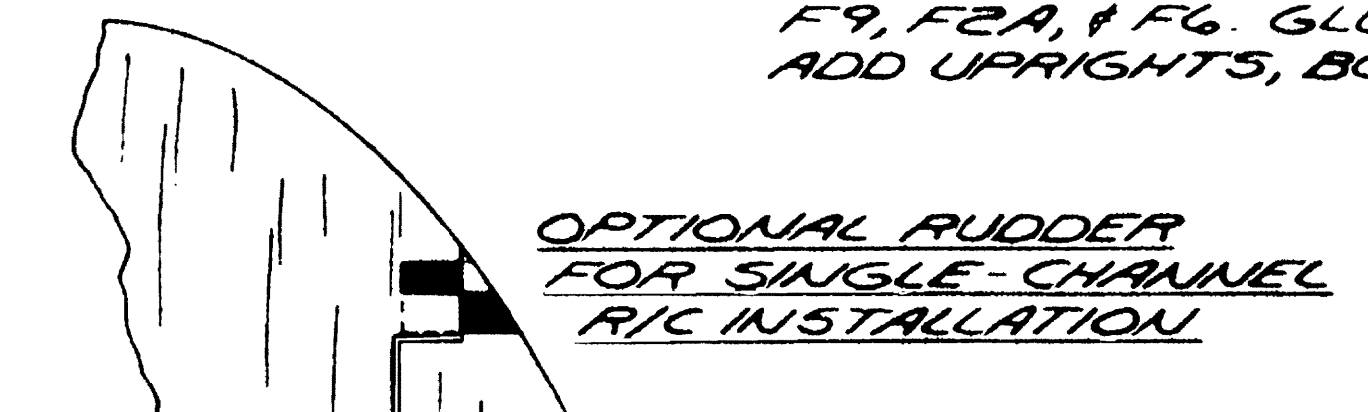
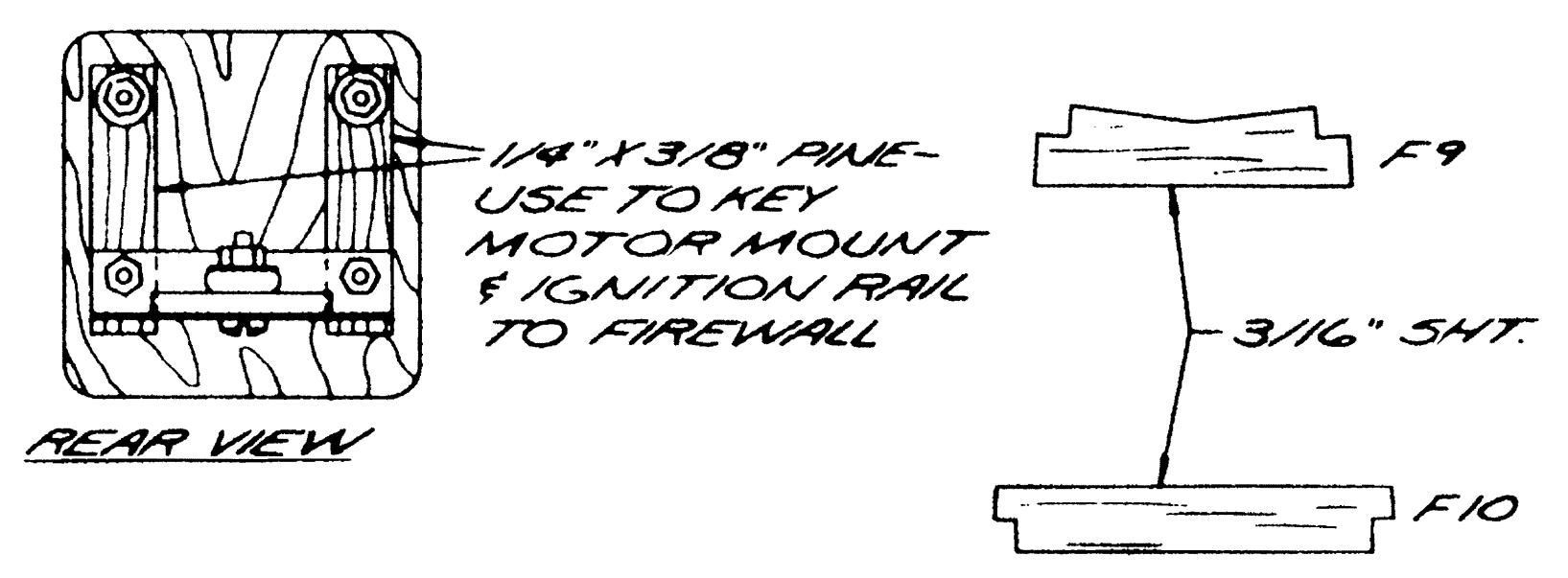
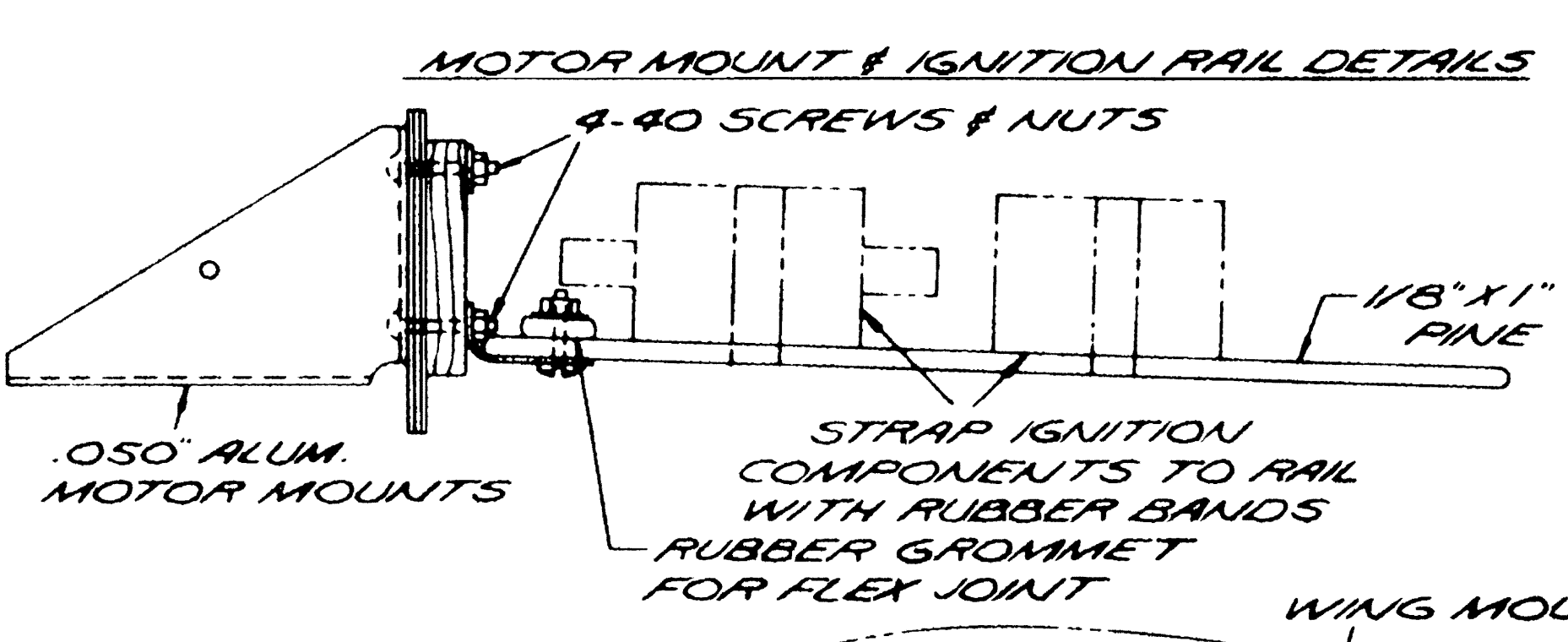
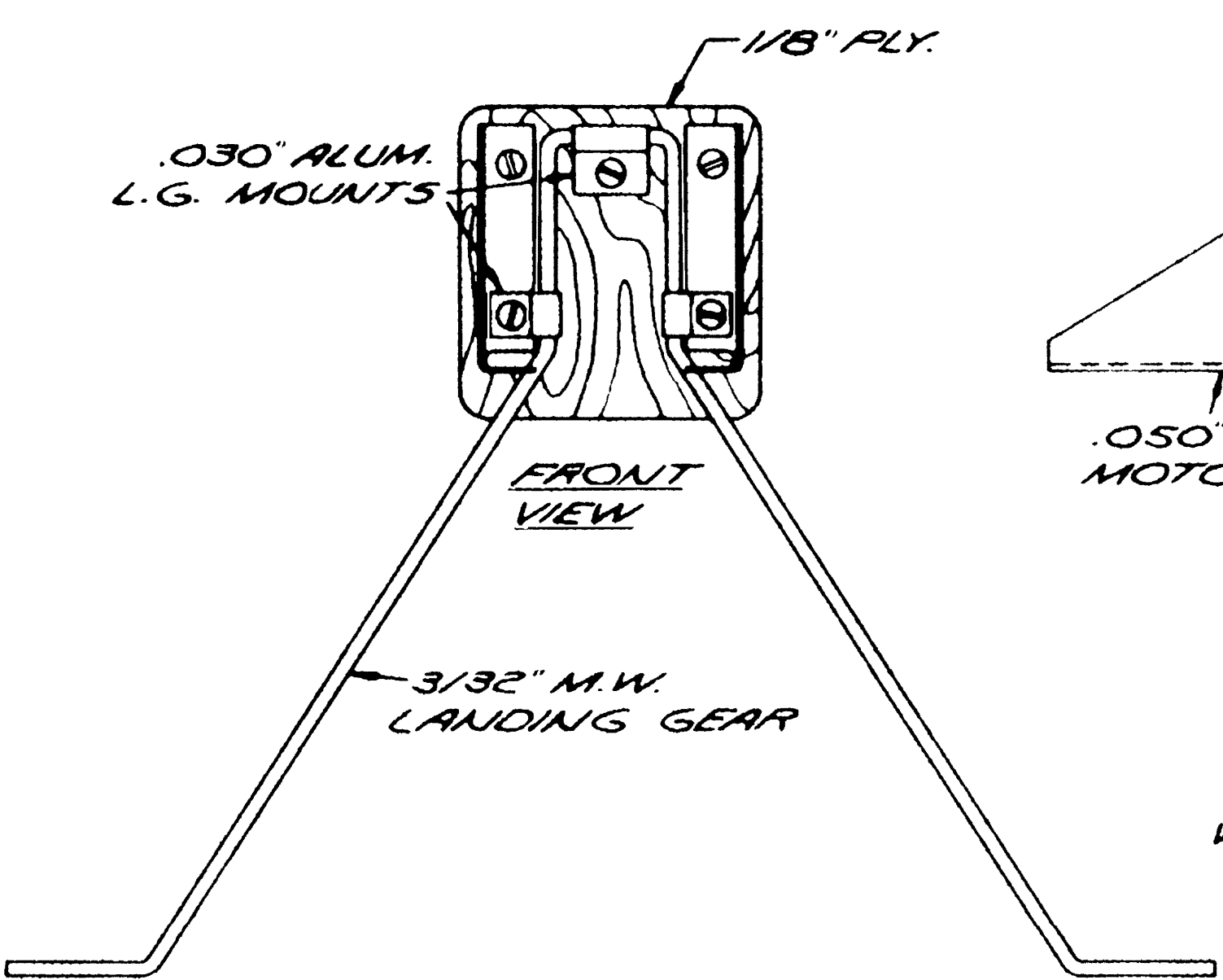


**FUSELAGE CONSTRUCTION NOTES:**  
 GLUE CABIN FRAME ASSEMBLY, F2A, & F6 TO CRUTCH. GLUE SPINE SECTIONS TOGETHER OVER SIDE VIEW, THEN GLUE IN NOTCHES IN F9, F2A, & F6. GLUE WING MOUNT IN PLACE, ADD UPRIGHTS, BOTTOM FORMERS, STRINGERS, ETC.



**CABRULER**  
 DESIGNED & DRAWN BY HENRY STRUCK, TRACED FOR MIB BY PHIL BERNHARDT. CLASS 'A' CABIN BASED ON 'NEW RULER' LAYOUT. TEST FLOWN JUNE 1990. FLOWN IN 'EASTERN NATIONALS' ON SEPT. 22, 1990, AT CREEDMORE, L.I. PHOTO IN JAN. 1991 FLYING ACES, PG. 95. PLAN DRAWN FROM PHOTOS AND REMNANTS OF ORIGINAL MODEL.  
 SPAN - 52" AREA - 310 SQ. IN.  
 WEIGHT - 17.1/2 OZ.

Plan No: 476-O.T.