

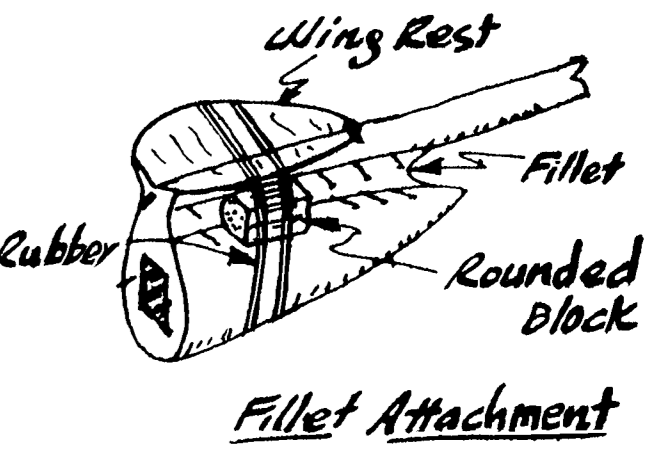
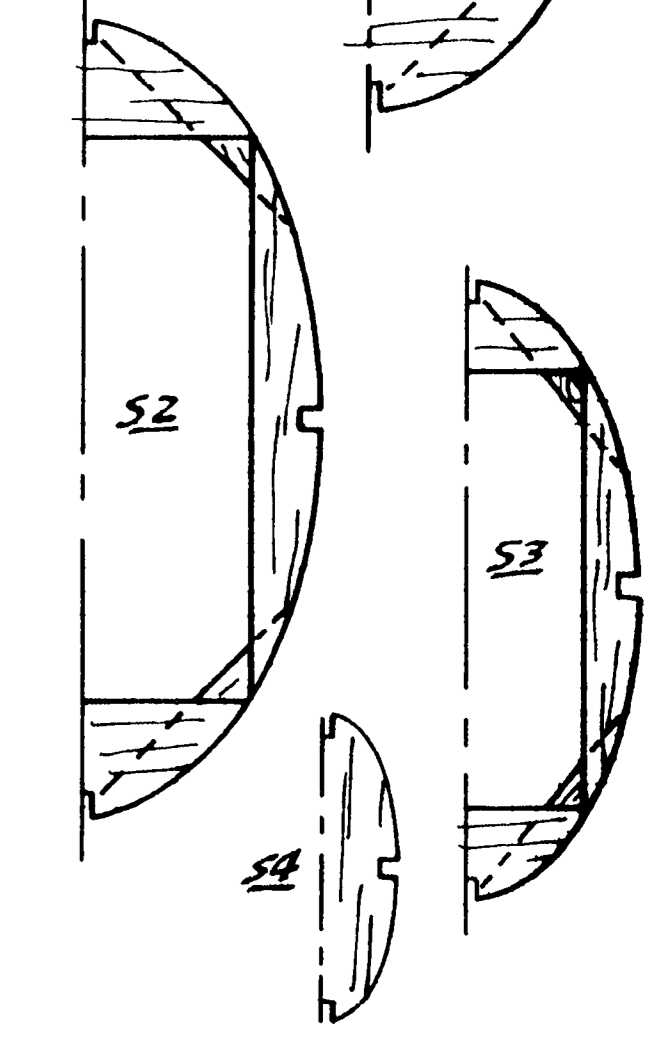
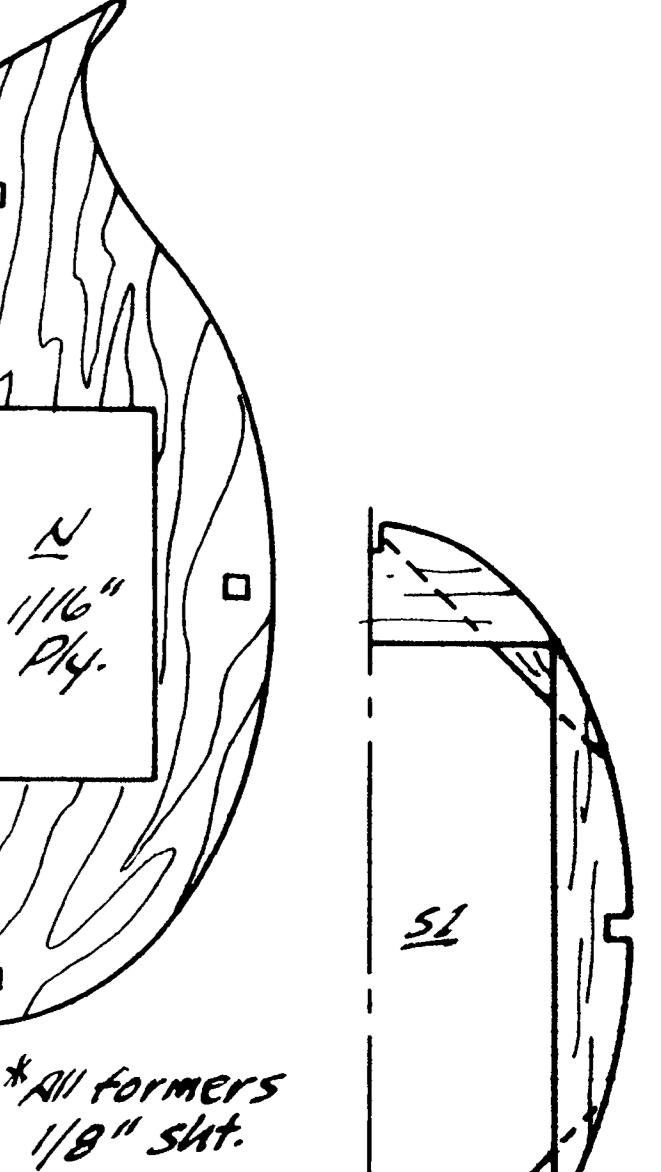
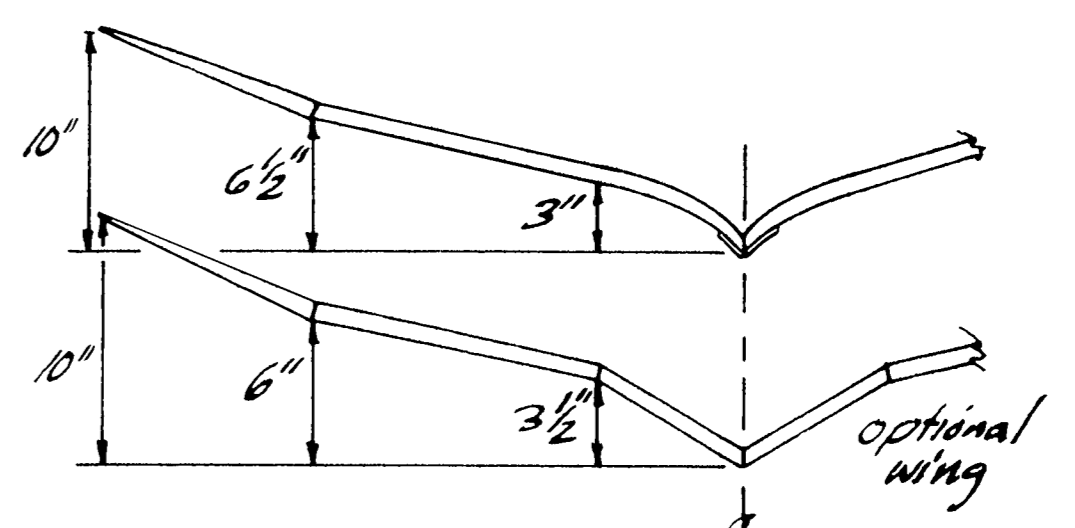
\* moisten spars & edges thoroughly before bending

scar bending 119

Rubber bands

this or this

soldering iron



main fillet F1

F2

F3

F4

\* plot on stiff paper trial fit when right cut all fillets from 1/32\"/>

# BOOMER BUS

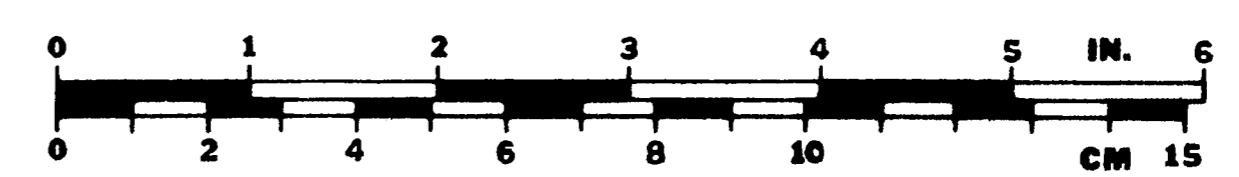
Designed by: Henry Struck  
 published in Feb. 1941 Air Trails  
 drawn in ink by: AL Patterson

\* Note: All parts balsa unless otherwise noted.

specs

Span 54"

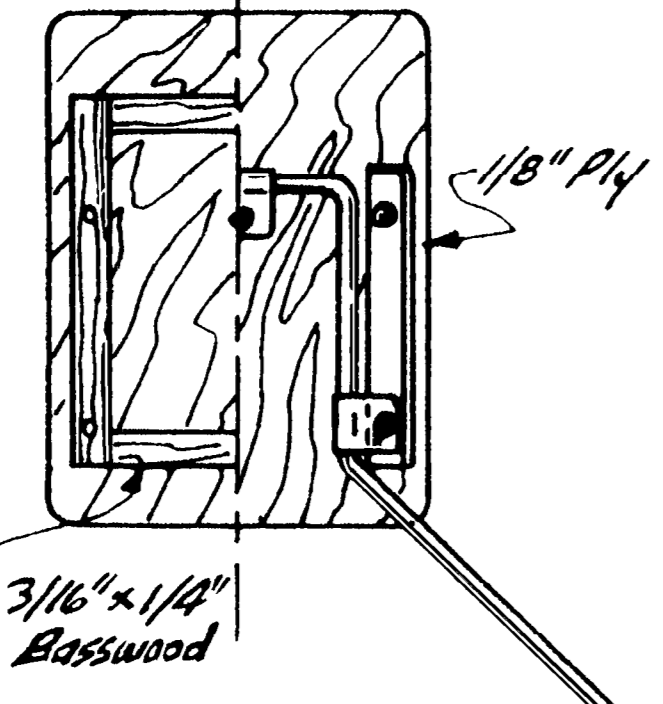
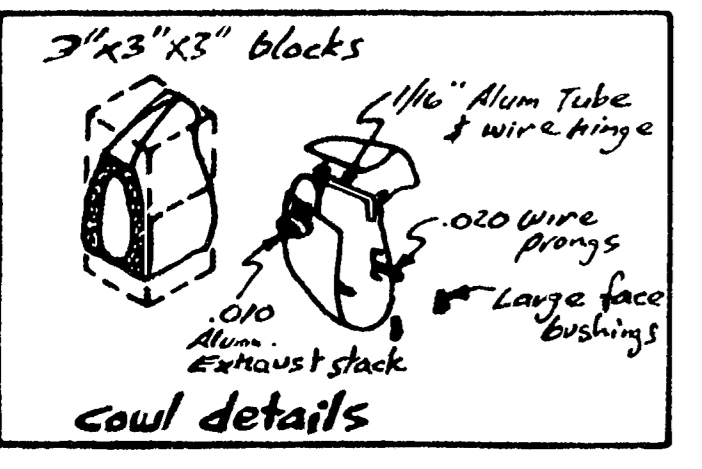
Length 35"



**MODEL BUILDER** magazine  
 Plan No: 981-O.T.  
821 West 19th St., Costa Mesa, CA 92627

\* 1/32 Alum motor mt.

\* Cowl - blocks (hollowed)



Rear outline cowl

Front outline

Wing Rest 1/8\"/>