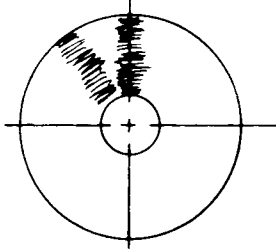
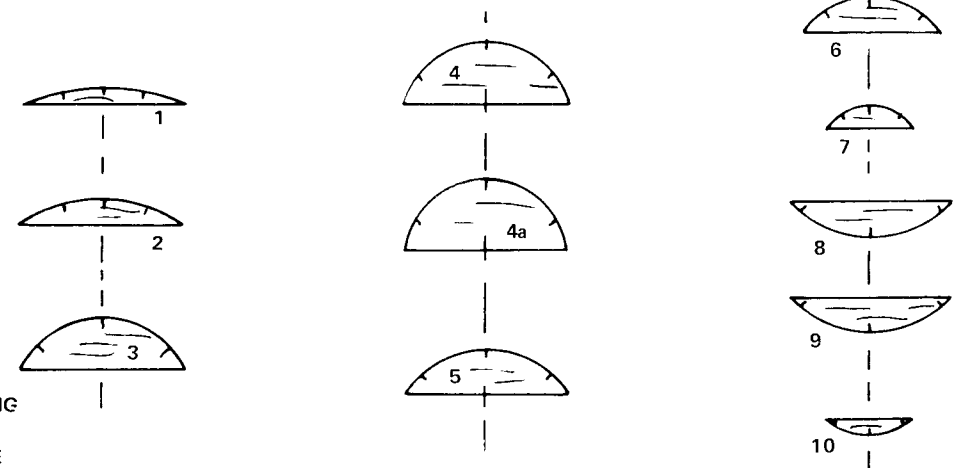
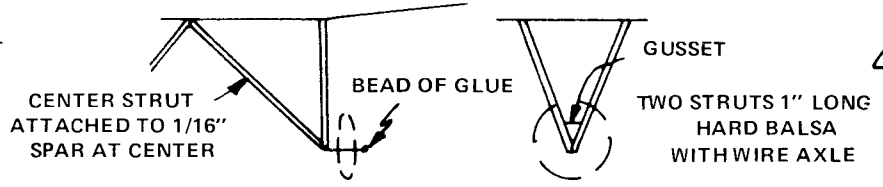


SCRAP BALSA CYLINDERS 1/16" (MAKE 9) SAND GROVES AFTER GLUING TO NOSE BLOCK



GEAR UP POSITION - WHEEL 1/2 RETRACTED "ALA DC 3" IN POSITION SHOWN ON WING
LANDING GEAR DETAIL (NOT TO SCALE)



- WING & STAB TIPS 1/32"
- FUSELAGE FORMERS 1/32"
- FUSELAGE STRINGERS 1/20" sq.
- WING RIBS 1/32" EXCEPT A&B
- WING SPARS, L.E., T.E., 1/16" sq.
- FUSELAGE 1/16" sq.
- ADD BOTTOM STRINGERS AFTER WING IS ATTACHED

BOEING MONOMAIL

DESIGNED BY: KEITH LAZERSON
DRAWN BY: HOWARD LAZERSON

TRACED: AP