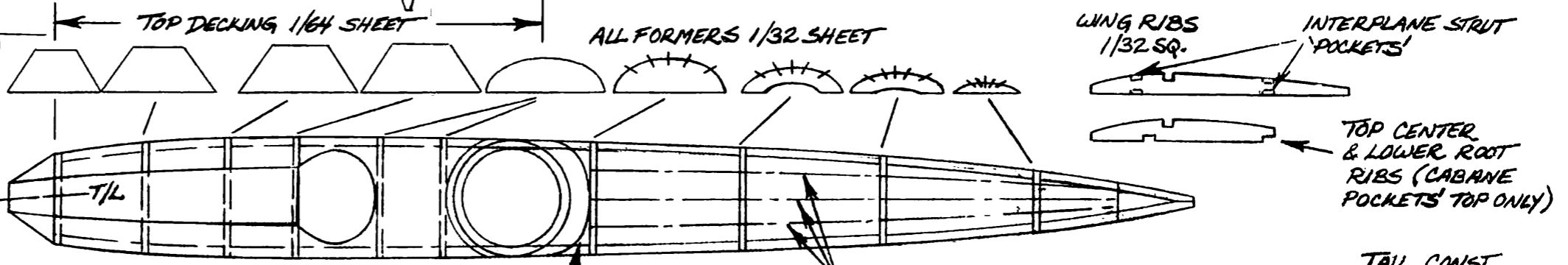
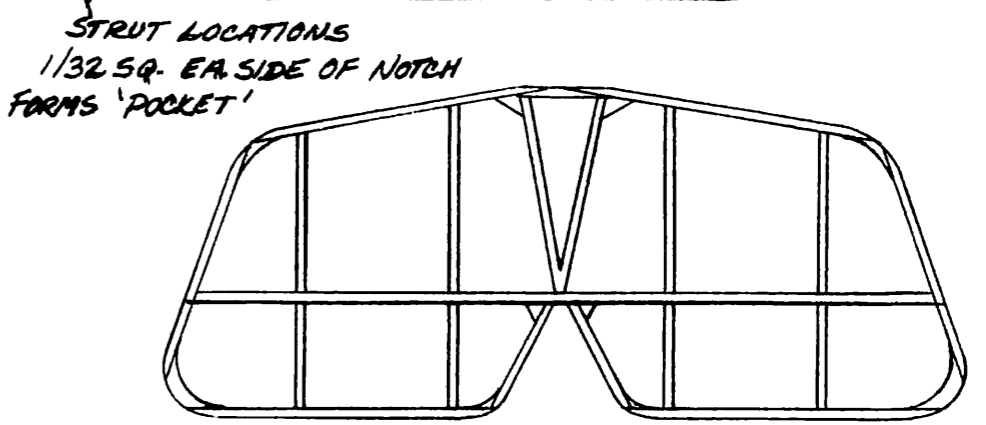
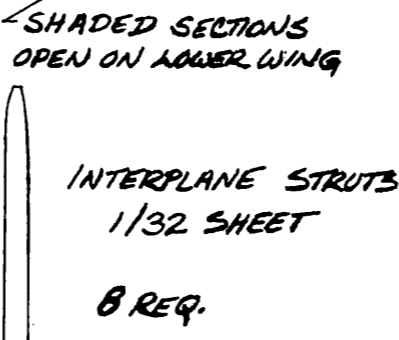
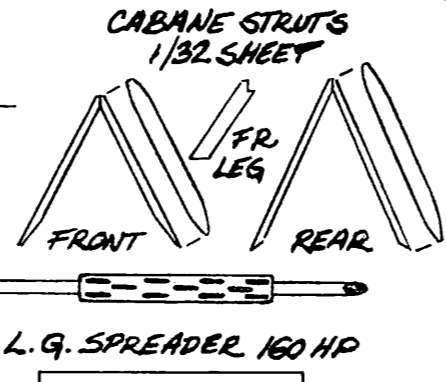
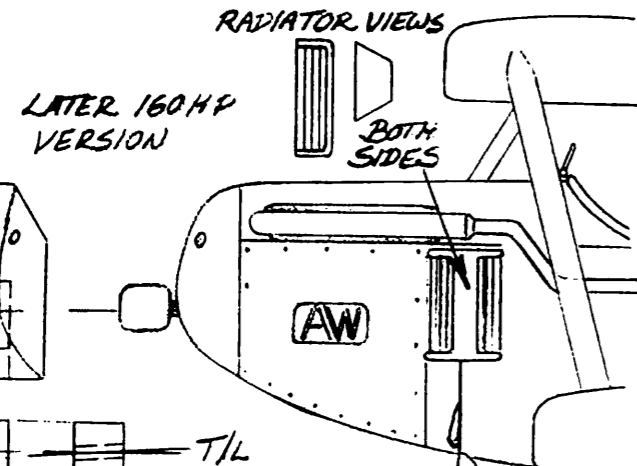
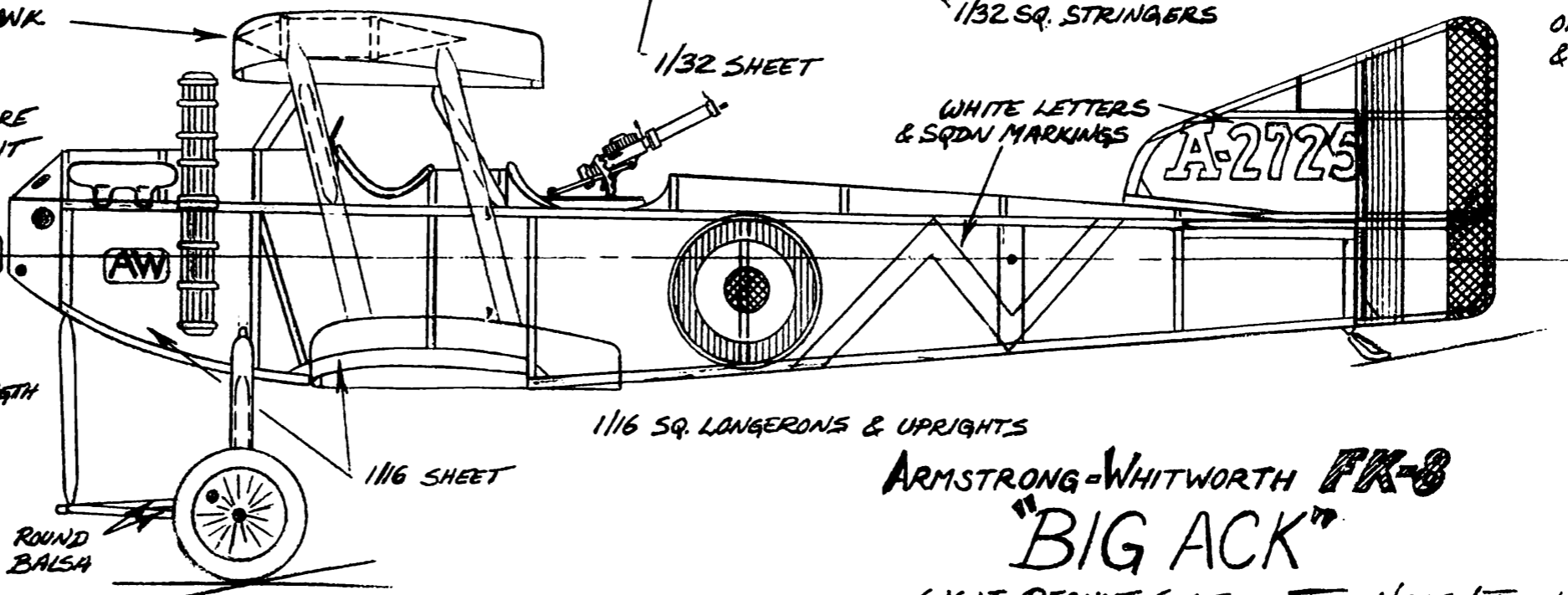
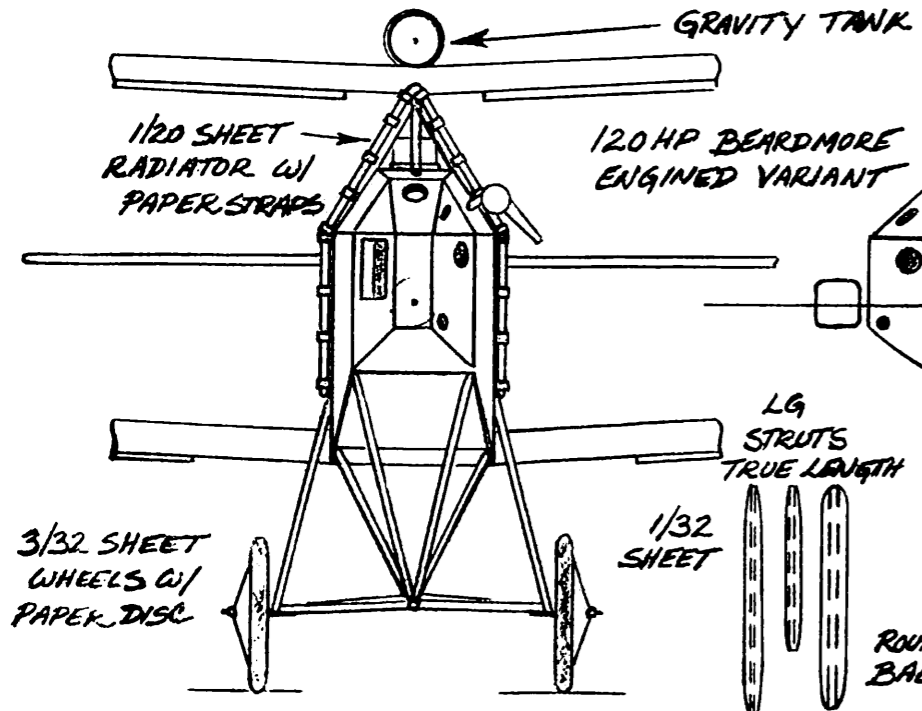


NOSE BLOCK
 Balsa block w/
 1/4 sheet plug
 1/16 O.D. BRASS
 TUBE BUSHING
 NOTE DOWN &
 LEFT THRUST.



REFERENCE: JAN. 1962 M.A.N. P31

COLOR SCHEME
 FUSE & ALL UPPER SURFACES: KHAKI-GREEN
 UNDERSIDES OF ALL SURFACES: WHITE
 COOL & TOP DECKING TO REAR 'PIT': BLACK
 ALL STRUTS: FRENCH GREY



ARMSTRONG-WHITWORTH FK-8
"BIG ACK"
 WWI PEANUT SCALE TOM NALLEN TR. 1988