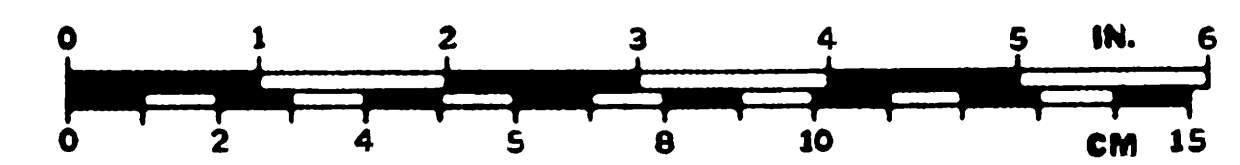


1/2A BRIGIDIER
1940 AIR YOUTH OF AMERICA
GAS MODEL THE

DESIGNED BY BERKELEY MODELS
SCALED FOR 1/2A TEXACO
BY JIM REYNOLDS
SPAN 45 IN. AREA 297 SQ. IN.
WEIGHT 16.5 OZ.

Plan No: 184-O.T.



NOTE-FOR CONTROL SURFACES
USE SHORT CONTROL HORNS
ROCKET CITY SUPER FLEX
NYLON STRIP HINGES CUT
5/16" WIDE. HOT STUFF
HINGES IN PLACE.

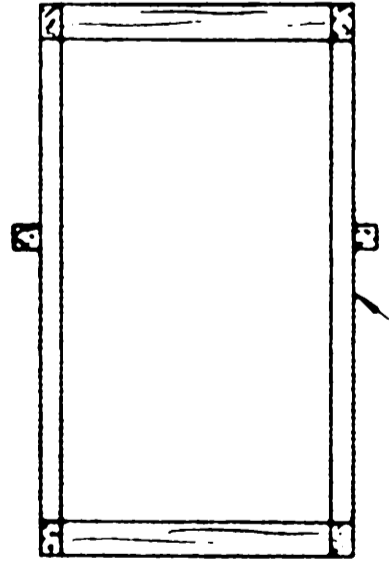
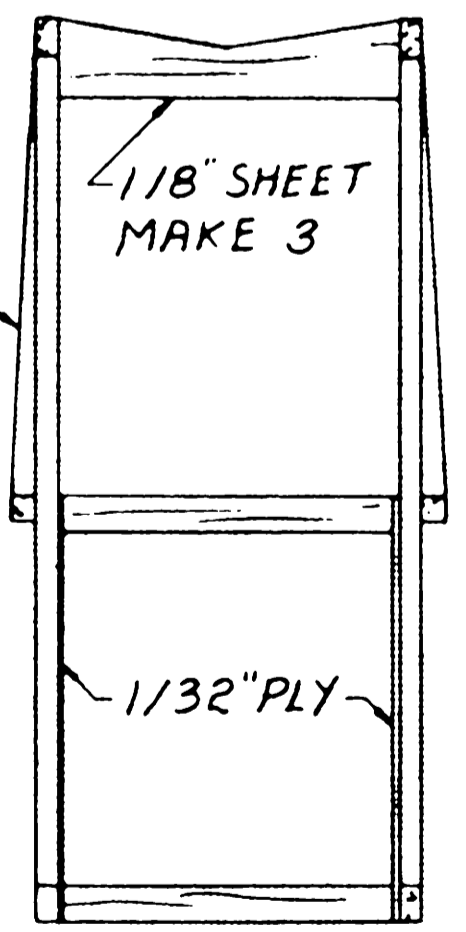
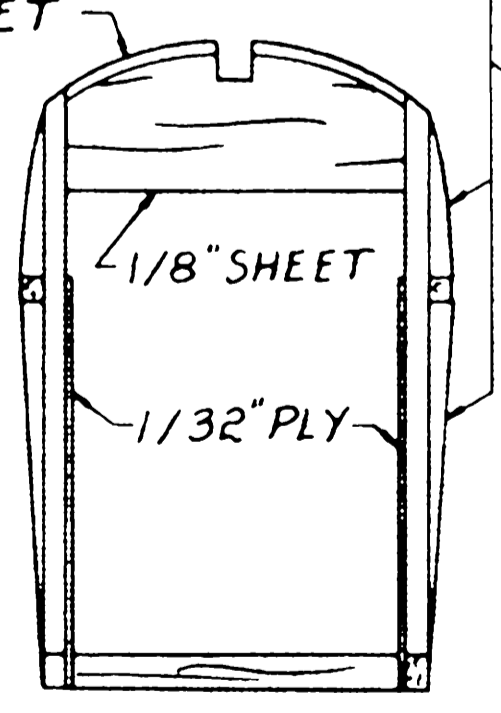
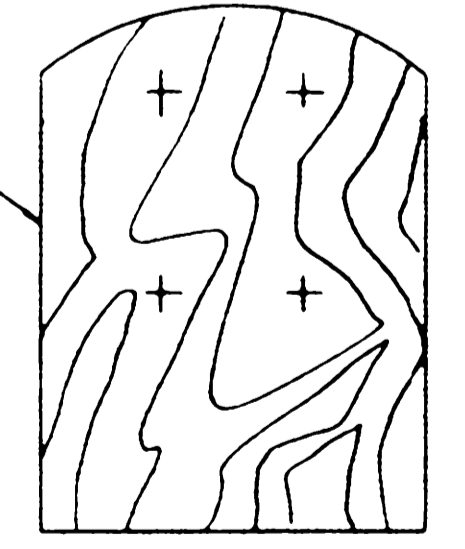
3/32" MUSIC WIRE
LANDING GEAR

TYPICAL SECTION
AFT. OF CABIN AREA

SECTION AFT.
OF FIREWALL

TYPICAL CABIN
AREA SECTION

3/32" PLY
FIREWALL



NYROD EXIT
LEFT SIDE ONLY

1/16" M.W.

1/8" x 3/16" FILL
SAND TO SHAPE

1/16" SHEET

1/8" x 3/16" LONGERONS

1/8" x 3/16" LONGERONS

1/32" PLY FROM FIREWALL
TO AFT OF AND BELOW
WINDSCREEN ON INSIDE
OF FUSELAGE

2" DIA.
WHEELS

FIREWALL SHOWN
WITH 2° DOWN
THRUST

1/8" SHEET GLUED TOGETHER

1/2 OF WINDSCREEN PATTERN
CUT OVERSIZE AND TRIM
TO FIT.

1/8" SHEET

1/8" SHEET

1/8" SHEET

1/8" x 3/16"

NYROD EXIT
TOP ONLY

STAB. RIBS
MAKE 2 OF EACH.
1/8" SHEET CENTER
RIB, OTHERS 1/16"
SHEET.

1/16" M.W. RUBBER
BAND PROTECTOR.

3/16" x 3/4" T.E. STOCK TRIMMED 1/16"

3-3/4" DIHEDRAL
EACH WING TIP

1/8" SHEET
WING TIPS

3/16" SQ LEADING EDGE SAND TO SHAPE

3/16" SQ
SPARS

TILT RIB
10° USE
TILT GAGE

1/16" SHEET CENTER SECTION

1/16" SHEET MAIN RIB MAKE 18

1/16" SHEET TIP RIB MAKE 2

1/16" PLY WING JOINER

1/8" SHEET

1/32" PLY

1/8" x 3/16"
CROSS PIECES

1/8" SQ. STRINGER

1/8" DOWEL

1/8" SHEET

1/8" SHEET

1/16" SHEET NOT
SHOWN FOR CLARITY

1/16" M.W.

3/16" SQ.

1/16" SHEET

REC.

1/8" x 3/16"

1/8" SQ.

1/8" x 3/16" LONGERONS

1/8" SQ.

SERVOS

BAT.

1/8" SHEET

1/8" x 3/16"

NYROD EXIT
LEFT SIDE ONLY

1/16" M.W.

1/8" x 3/16" FILL
SAND TO SHAPE

1/16" SHEET

1/8" x 3/16" LONGERONS

1/8" x 3/16" LONGERONS

1/32" PLY FROM FIREWALL
TO AFT OF AND BELOW
WINDSCREEN ON INSIDE
OF FUSELAGE

2" DIA.
WHEELS

FIREWALL SHOWN
WITH 2° DOWN
THRUST

1/8" SHEET GLUED TOGETHER

1/2 OF WINDSCREEN PATTERN
CUT OVERSIZE AND TRIM
TO FIT.

1/8" SHEET

1/8" SHEET

1/8" SHEET

1/8" x 3/16"

NYROD EXIT
TOP ONLY

STAB. RIBS
MAKE 2 OF EACH.
1/8" SHEET CENTER
RIB, OTHERS 1/16"
SHEET.

1/16" M.W. RUBBER
BAND PROTECTOR.

3/16" x 3/4" T.E. STOCK TRIMMED 1/16"

3-3/4" DIHEDRAL
EACH WING TIP

1/8" SHEET
WING TIPS

3/16" SQ LEADING EDGE SAND TO SHAPE

3/16" SQ
SPARS

TILT RIB
10° USE
TILT GAGE

1/16" SHEET CENTER SECTION

1/16" SHEET MAIN RIB MAKE 18

1/16" SHEET TIP RIB MAKE 2

1/16" PLY WING JOINER

1/8" SHEET

1/32" PLY

1/8" x 3/16"
CROSS PIECES

1/8" SQ. STRINGER

1/8" DOWEL

1/8" SHEET

1/8" SHEET

1/16" SHEET NOT
SHOWN FOR CLARITY

1/16" M.W.

3/16" SQ.

1/16" SHEET

REC.

1/8" x 3/16"

1/8" SQ.

1/8" x 3/16" LONGERONS

1/8" SQ.

SERVOS

BAT.

1/8" SHEET

1/8" x 3/16"

NYROD EXIT
LEFT SIDE ONLY

1/16" M.W.

1/8" x 3/16" FILL
SAND TO SHAPE

1/16" SHEET

1/8" x 3/16" LONGERONS

1/8" x 3/16" LONGERONS

1/32" PLY FROM FIREWALL
TO AFT OF AND BELOW
WINDSCREEN ON INSIDE
OF FUSELAGE

2" DIA.
WHEELS

FIREWALL SHOWN
WITH 2° DOWN
THRUST

1/8" SHEET GLUED TOGETHER

1/2 OF WINDSCREEN PATTERN
CUT OVERSIZE AND TRIM
TO FIT.

1/8" SHEET

1/8" SHEET

1/8" SHEET

1/8" x 3/16"

NYROD EXIT
TOP ONLY

STAB. RIBS
MAKE 2 OF EACH.
1/8" SHEET CENTER
RIB, OTHERS 1/16"
SHEET.

1/16" M.W. RUBBER
BAND PROTECTOR.

3/16" x 3/4" T.E. STOCK TRIMMED 1/16"

3-3/4" DIHEDRAL
EACH WING TIP

1/8" SHEET
WING TIPS

3/16" SQ LEADING EDGE SAND TO SHAPE

3/16" SQ
SPARS

TILT RIB
10° USE
TILT GAGE

1/16" SHEET CENTER SECTION

1/16" SHEET MAIN RIB MAKE 18

1/16" SHEET TIP RIB MAKE 2

1/16" PLY WING JOINER

1/8" SHEET

1/32" PLY

1/8" x 3/16"
CROSS PIECES

1/8" SQ. STRINGER

1/8" DOWEL

1/8" SHEET

1/8" SHEET

1/16" SHEET NOT
SHOWN FOR CLARITY

1/16" M.W.

3/16" SQ.

1/16" SHEET

REC.

1/8" x 3/16"

1/8" SQ.

1/8" x 3/16" LONGERONS

1/8" SQ.

SERVOS

BAT.

1/8" SHEET

1/8" x 3/16"

NYROD EXIT
LEFT SIDE ONLY

1/16" M.W.

1/8" x 3/16" FILL
SAND TO SHAPE

1/16" SHEET

1/8" x 3/16" LONGERONS

1/8" x 3/16" LONGERONS

1/32" PLY FROM FIREWALL
TO AFT OF AND BELOW
WINDSCREEN ON INSIDE
OF FUSELAGE

2" DIA.
WHEELS

FIREWALL SHOWN
WITH 2° DOWN
THRUST

1/8" SHEET GLUED TOGETHER

1/2 OF WINDSCREEN PATTERN
CUT OVERSIZE AND TRIM
TO FIT.

1/8" SHEET

1/8" SHEET

1/8" SHEET

1/8" x 3/16"

NYROD EXIT
TOP ONLY

STAB. RIBS
MAKE 2 OF EACH.
1/8" SHEET CENTER
RIB, OTHERS 1/16"
SHEET.

1/16" M.W. RUBBER
BAND PROTECTOR.

3/16" x 3/4" T.E. STOCK TRIMMED 1/16"

3-3/4" DIHEDRAL
EACH WING TIP

1/8" SHEET
WING TIPS

3/16" SQ LEADING EDGE SAND TO SHAPE

3/16" SQ
SPARS

TILT RIB
10° USE
TILT GAGE

1/16" SHEET CENTER SECTION

1/16" SHEET MAIN RIB MAKE 18

1/16" SHEET TIP RIB MAKE 2

1/16" PLY WING JOINER

1/8" SHEET

1/32" PLY

1/8" x 3/16"
CROSS PIECES

1/8" SQ. STRINGER

1/8" DOWEL

1/8" SHEET

1/8" SHEET

1/16" SHEET NOT
SHOWN FOR CLARITY

1/16" M.W.

3/16" SQ.

1/16" SHEET

REC.

1/8" x 3/16"

1/8" SQ.

1/8" x 3/16" LONGERONS

1/8" SQ.

SERVOS

BAT.

1/8" SHEET

1/8" x 3/16"

NYROD EXIT
LEFT SIDE ONLY

1/16" M.W.

1/8" x 3/16" FILL
SAND TO SHAPE

1/16" SHEET

1/8" x 3/16" LONGERONS

1/8" x 3/16" LONGERONS

1/32" PLY FROM FIREWALL
TO AFT OF AND BELOW
WINDSCREEN ON INSIDE
OF FUSELAGE

2" DIA.
WHEELS

FIREWALL SHOWN
WITH 2° DOWN
THRUST

1/8" SHEET GLUED TOGETHER

1/2 OF WINDSCREEN PATTERN
CUT OVERSIZE AND TRIM
TO FIT.

1/8" SHEET

1/8" SHEET

1/8" SHEET

1/8" x 3/16"

NYROD EXIT
TOP ONLY

STAB. RIBS
MAKE 2 OF EACH.
1/8" SHEET CENTER
RIB, OTHERS 1/16"
SHEET.

1/16" M.W. RUBBER
BAND PROTECTOR.

3/16" x 3/4" T.E. STOCK TRIMMED 1/16"

3-3/4" DIHEDRAL
EACH WING TIP

1/8" SHEET
WING TIPS

3/16" SQ LEADING EDGE SAND TO SHAPE

3/16" SQ
SPARS

TILT RIB
10° USE
TILT GAGE

1/16" SHEET CENTER SECTION

1/16" SHEET MAIN RIB MAKE 18

1/16" SHEET TIP RIB MAKE 2

1/16" PLY WING JOINER

1/8" SHEET

1/32" PLY

1/8" x 3/16"
CROSS PIECES

1/8" SQ. STRINGER

1/8" DOWEL

1/8" SHEET

1/8" SHEET

1/16" SHEET NOT
SHOWN FOR CLARITY

1/16" M.W.

3/16" SQ.

1/16" SHEET

REC.

1/8" x 3/16"

1/8" SQ.

1/8" x