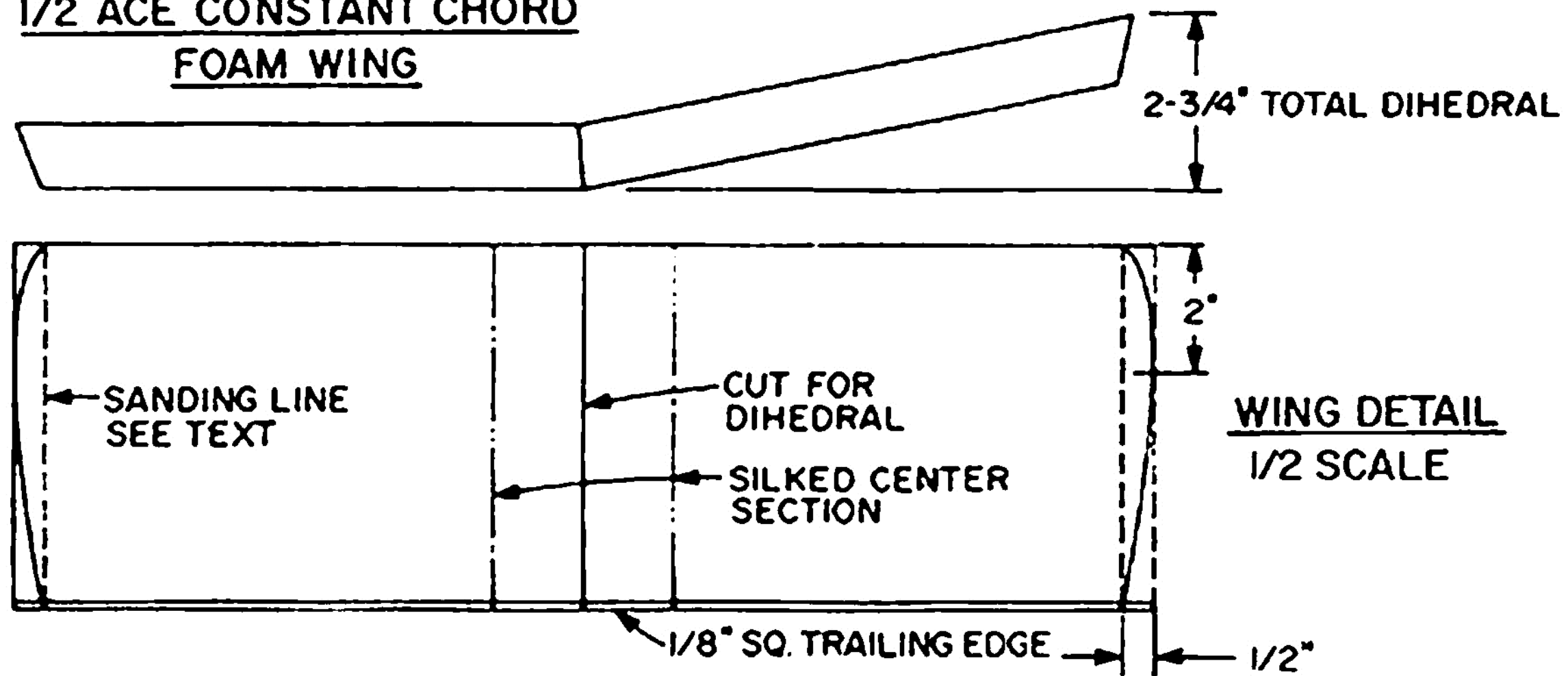
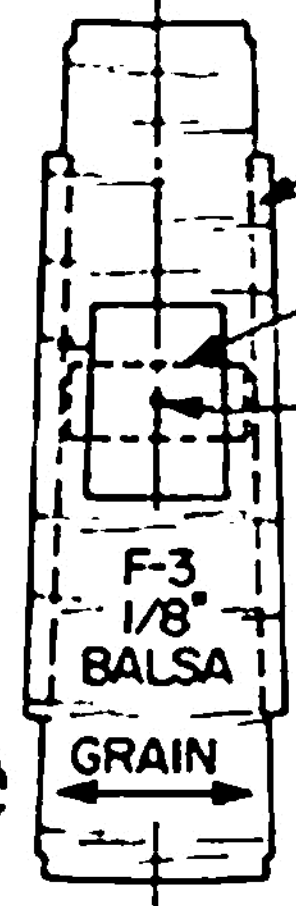
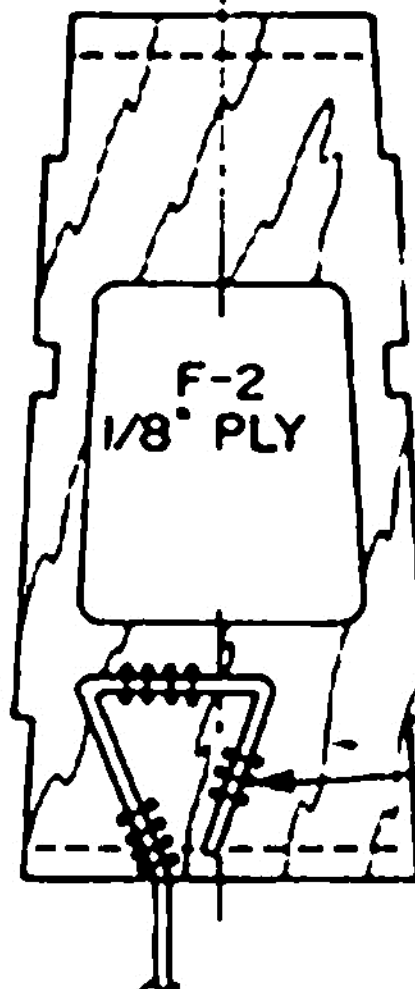
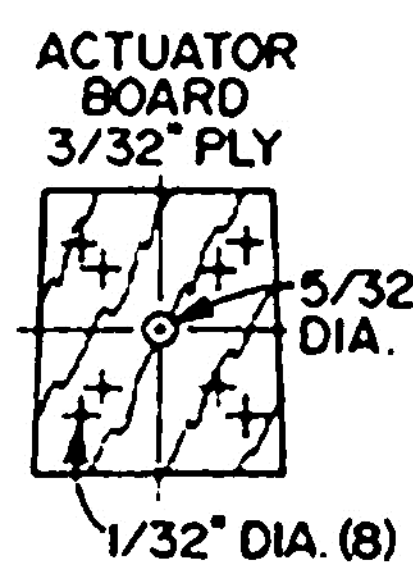
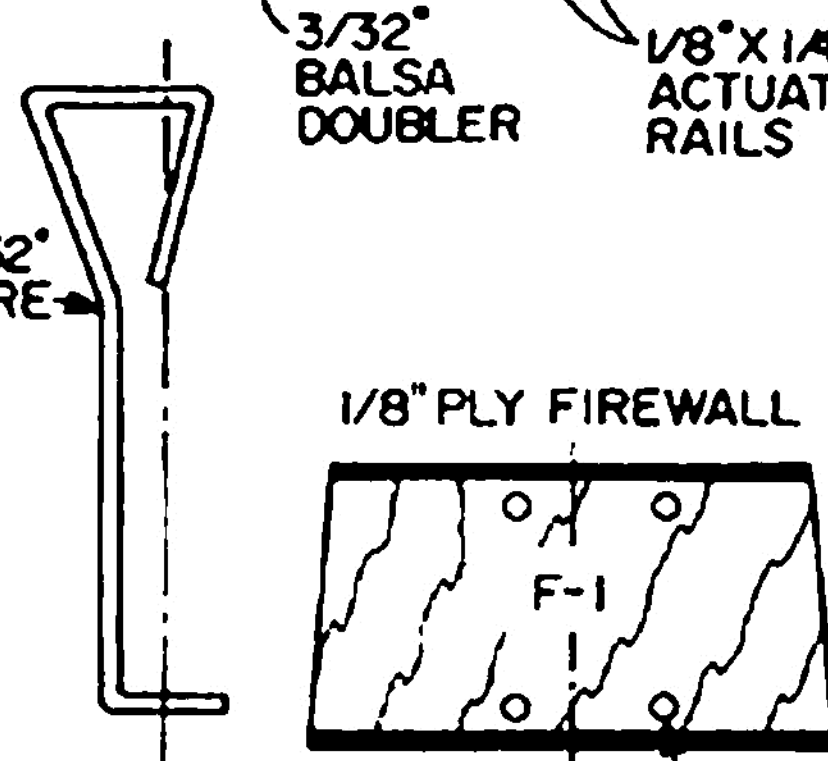
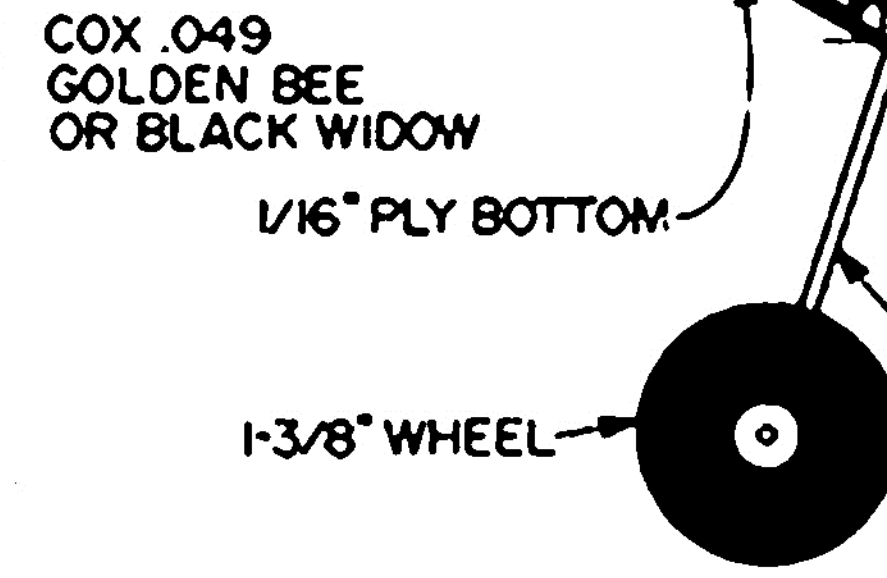
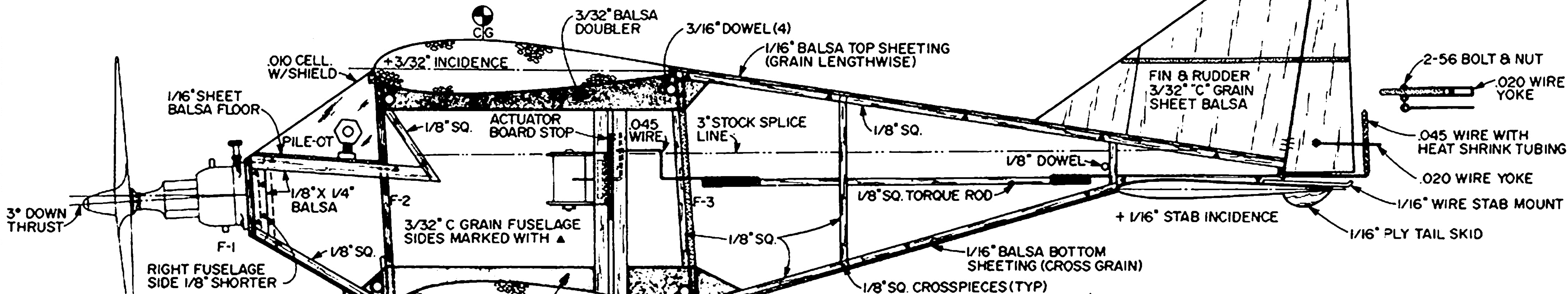
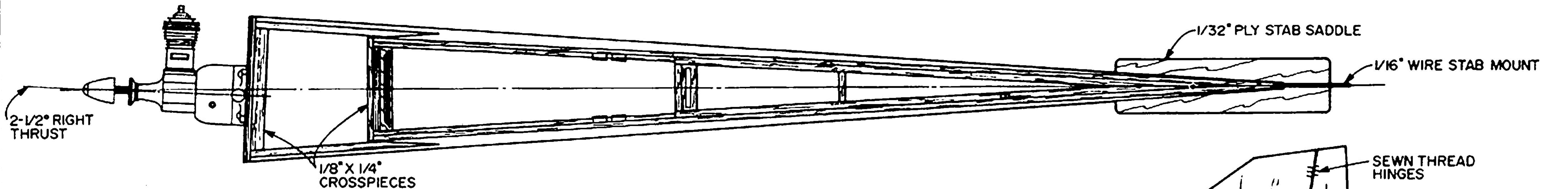
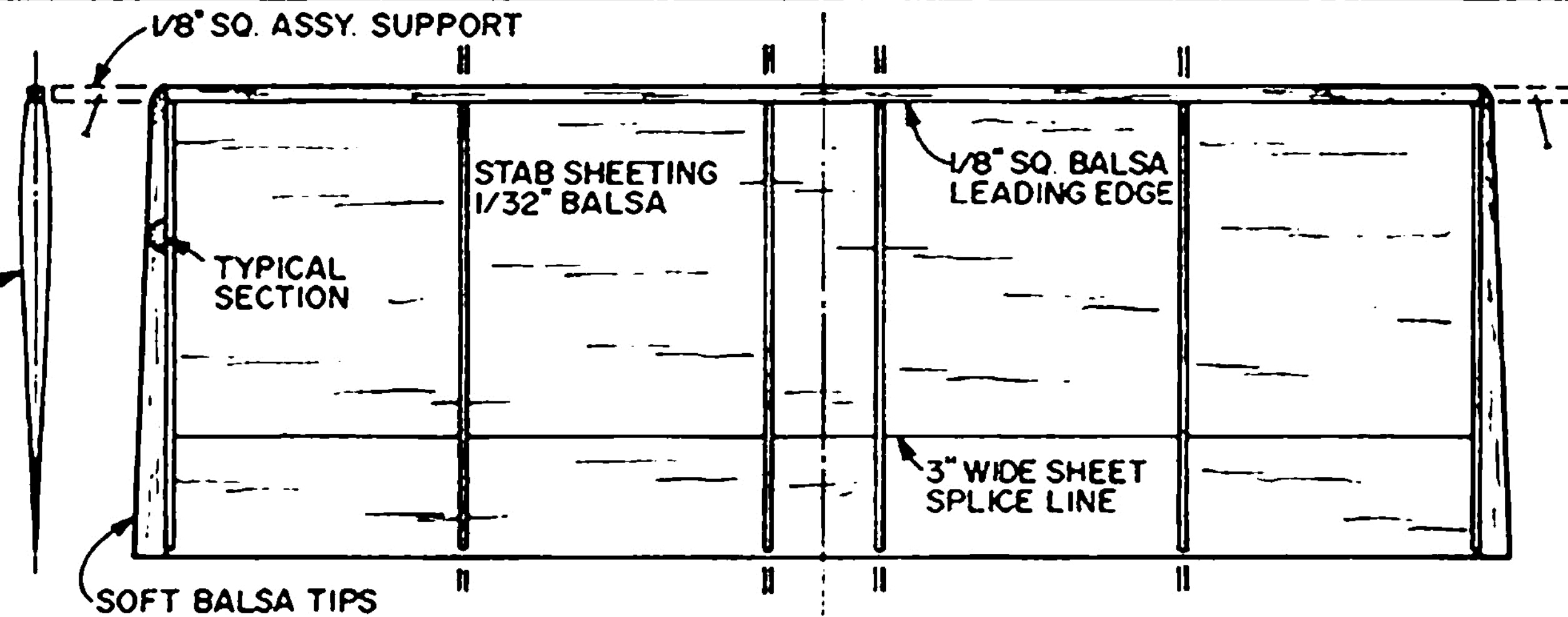


1/2 ACE CONSTANT CHORD
FOAM WING



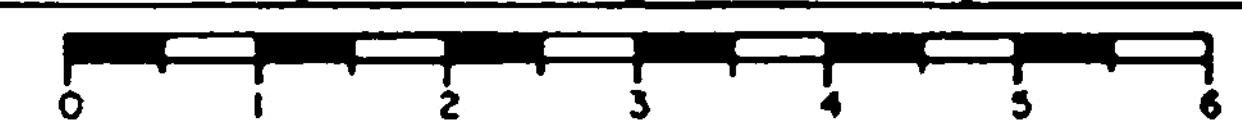
STAB RIBS
1/16" Balsa
(6)



© RCM ALL COMMERCIAL RIGHTS RESERVED

ROLLIN' FOAM

DESIGNED & DRAWN BY DICK ERICSON INKED BY DICK KIDD



PLAN NO. 632