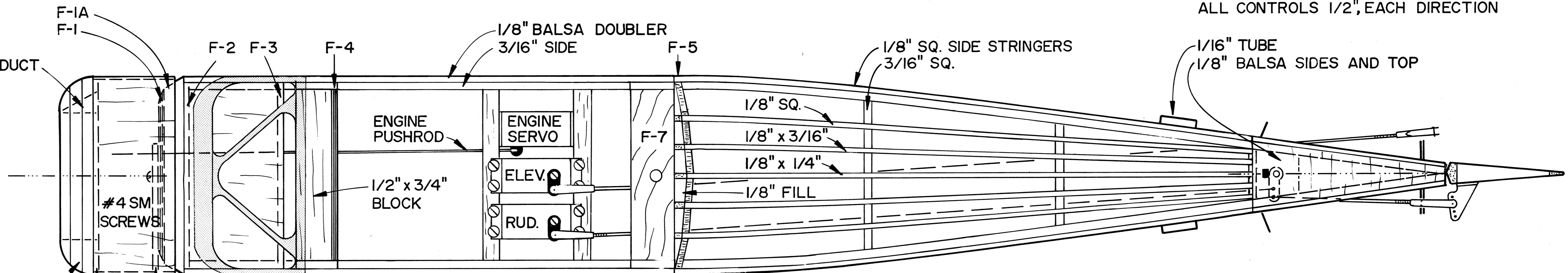
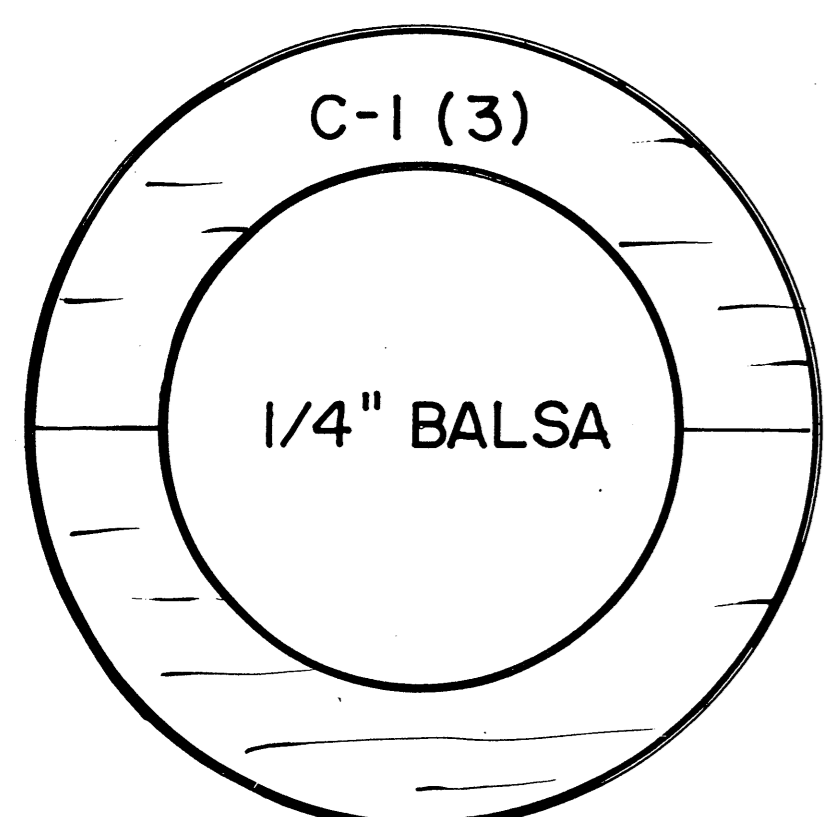
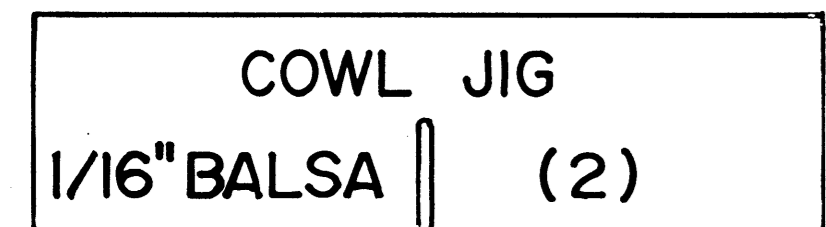
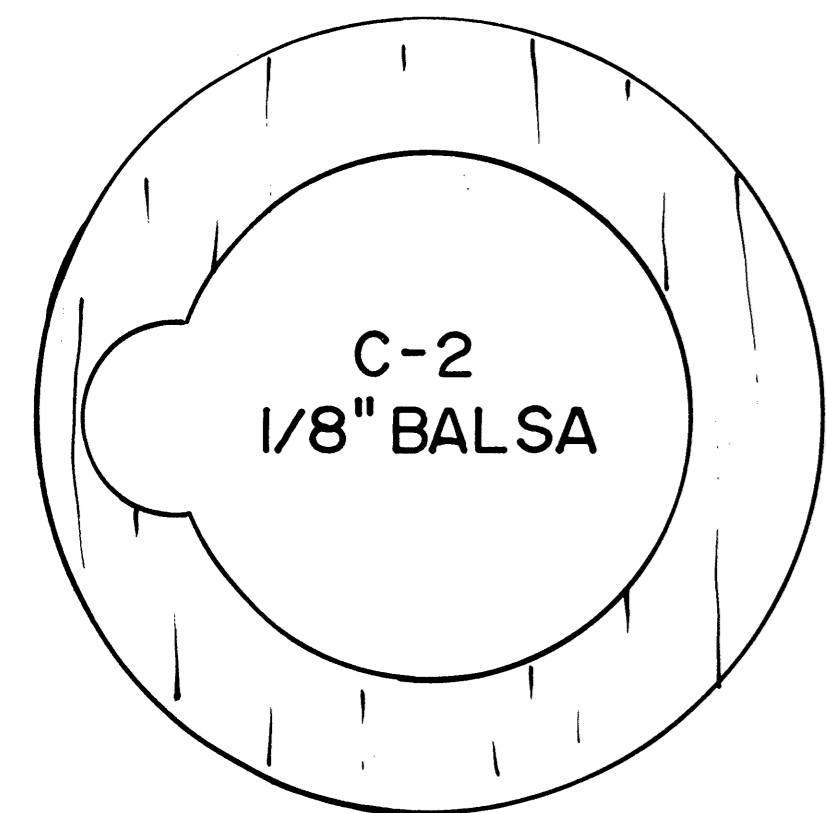
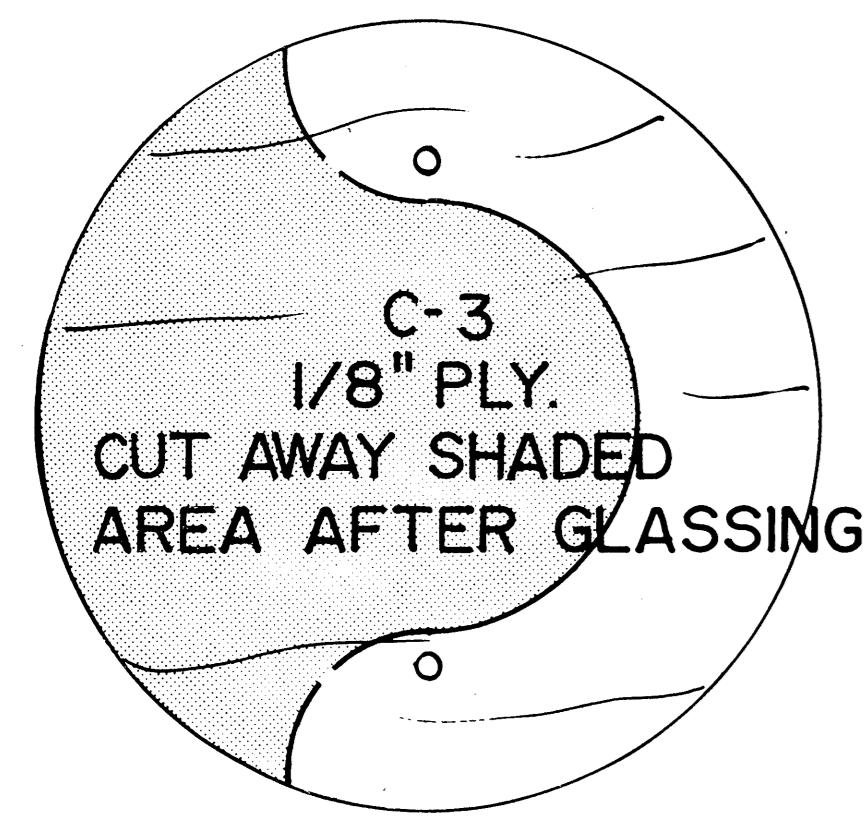


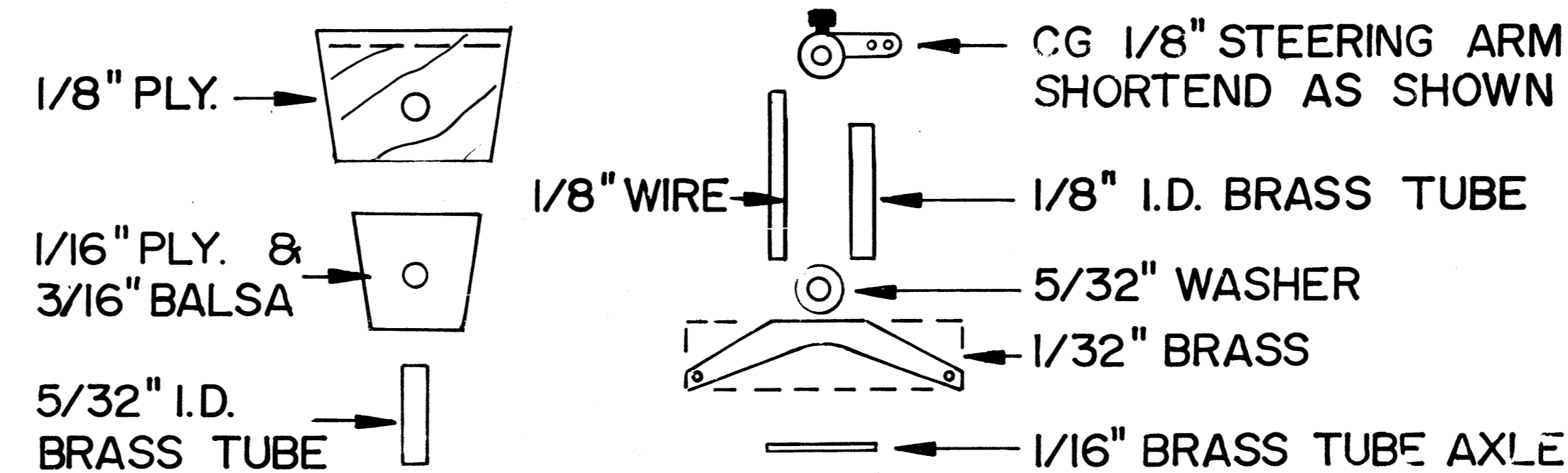
PLAN CUT LINE

ALL CONTROLS 1/2", EACH DIRECTION



C-1 C-2 C-3
COVER COWL WITH 6 OZ.
GLASS CLOTH AND RESIN

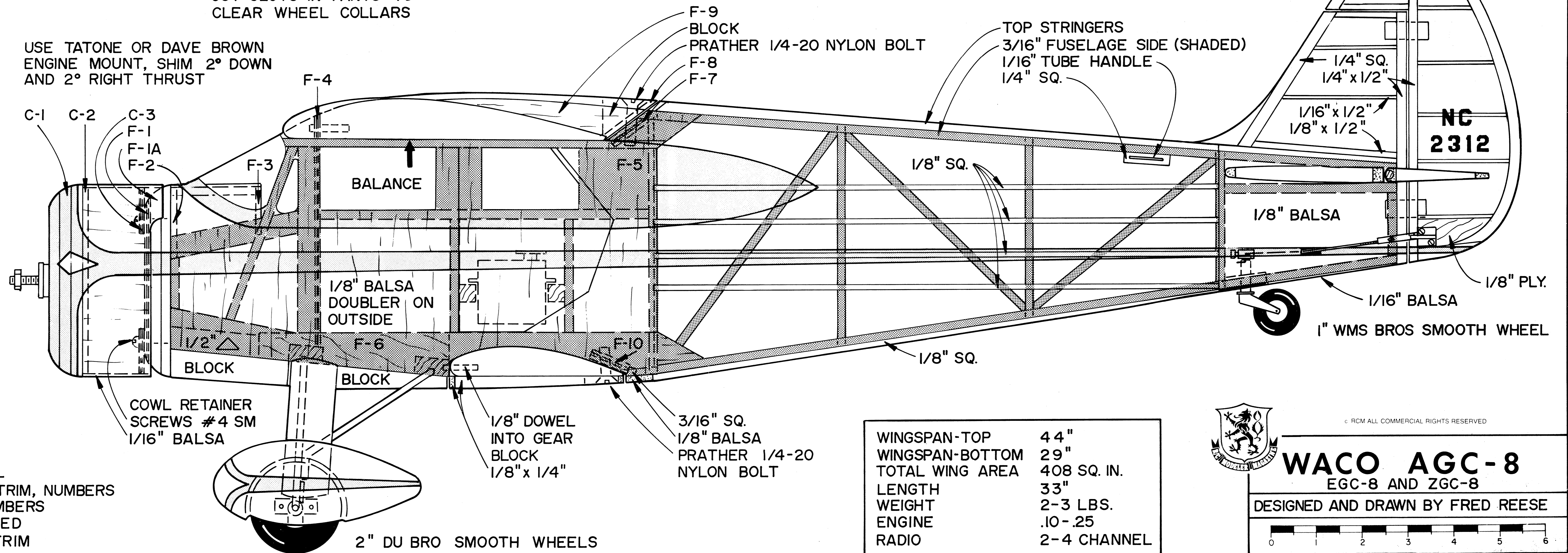
TAILWHEEL PARTS



CUT SLOTS IN PANTS TO
CLEAR WHEEL COLLARS

WACO AGC-8 PAINT COLORS			
AIRCRAFT	COLOR	TRIM	PINSTRIPES
NC2312	GRAY	BLUE	RED
NC2334	RED	IVORY	GOLD (ORIG.)
NC2334	IVORY	RED	GOLD (NOW)
NC2272	GRAY	RED	BLUE
NC20950	GRAY	CREAM	RED (NO PANTS)

USE TATONE OR DAVE BROWN
ENGINE MOUNT, SHIM 2° DOWN
AND 2° RIGHT THRUST

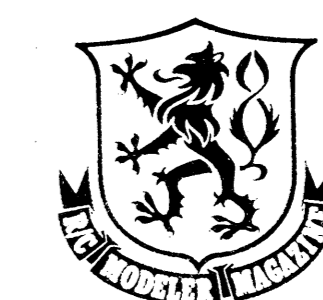


2" DU BRO SMOOTH WHEELS

FINISHING PRODUCTS

BALSARITE
S. MONOKOTE DOVE GRAY OVERALL
MONOKOTE TRIM INS. BLUE SIDE TRIM, NUMBERS
MONOKOTE TRIM RED UNDER NUMBERS
GOLDBERG COLOR STRIPE 1/16" RED
FORM. U SPRAY MID. BLUE WING TRIM

WINGSPAN-TOP	44"
WINGSPAN-BOTTOM	29"
TOTAL WING AREA	408 SQ. IN.
LENGTH	33"
WEIGHT	2-3 LBS.
ENGINE	.10-.25
RADIO	2-4 CHANNEL



WACO AGC-8
EGC-8 AND ZGC-8

DESIGNED AND DRAWN BY FRED REESE

