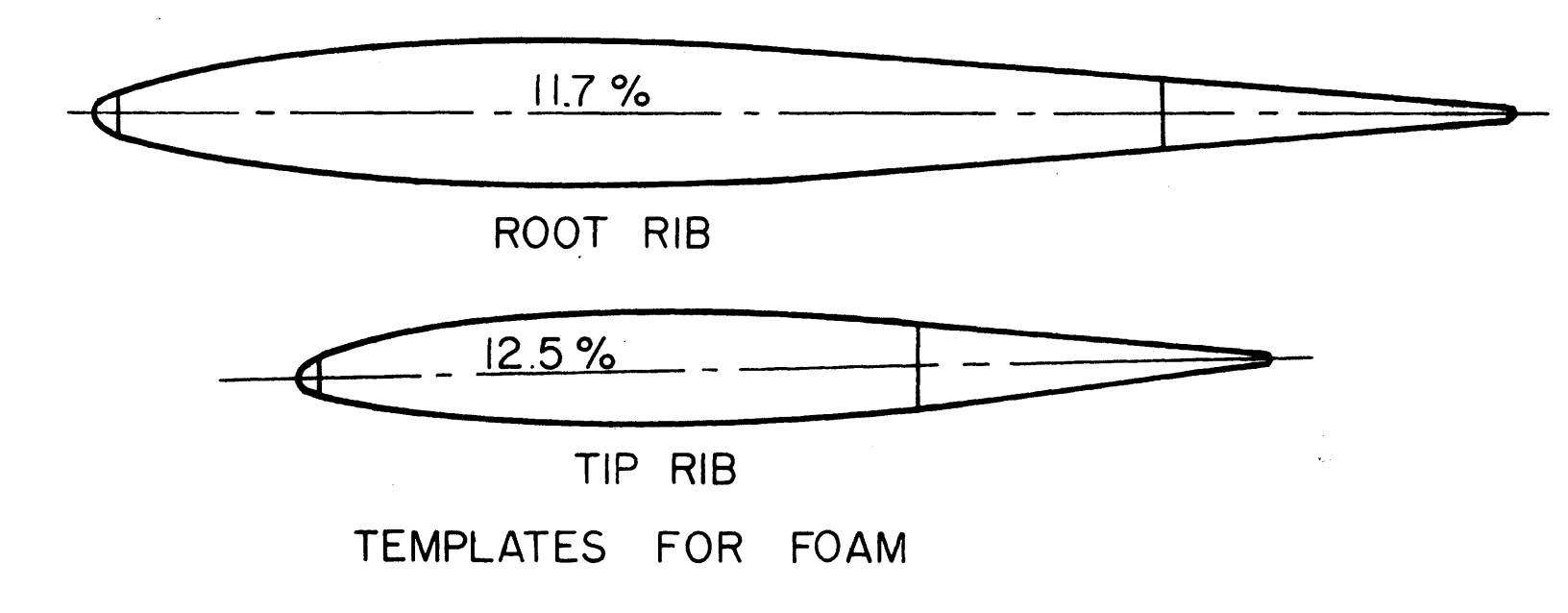
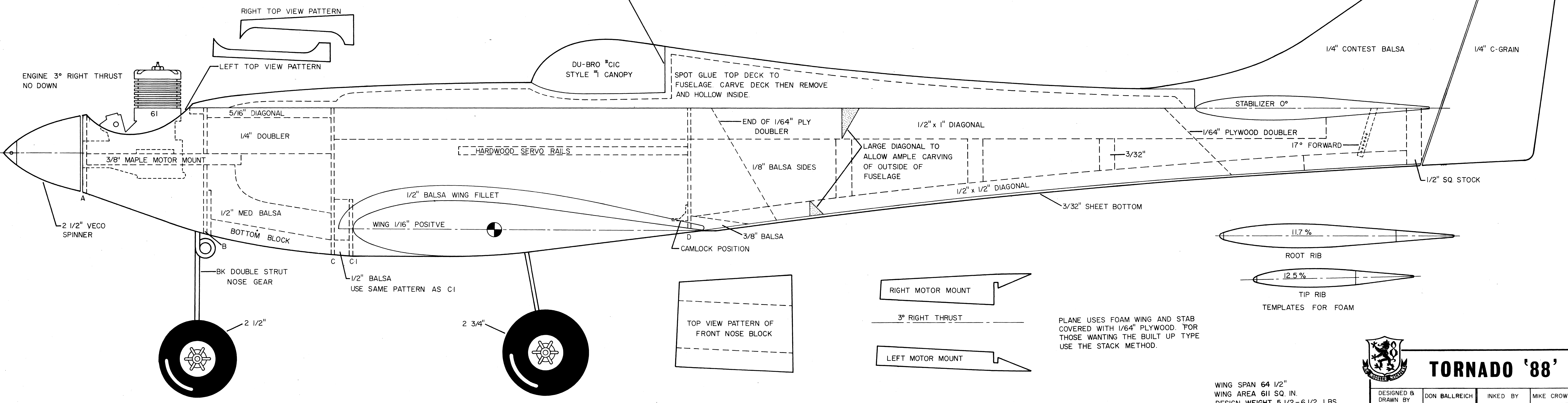
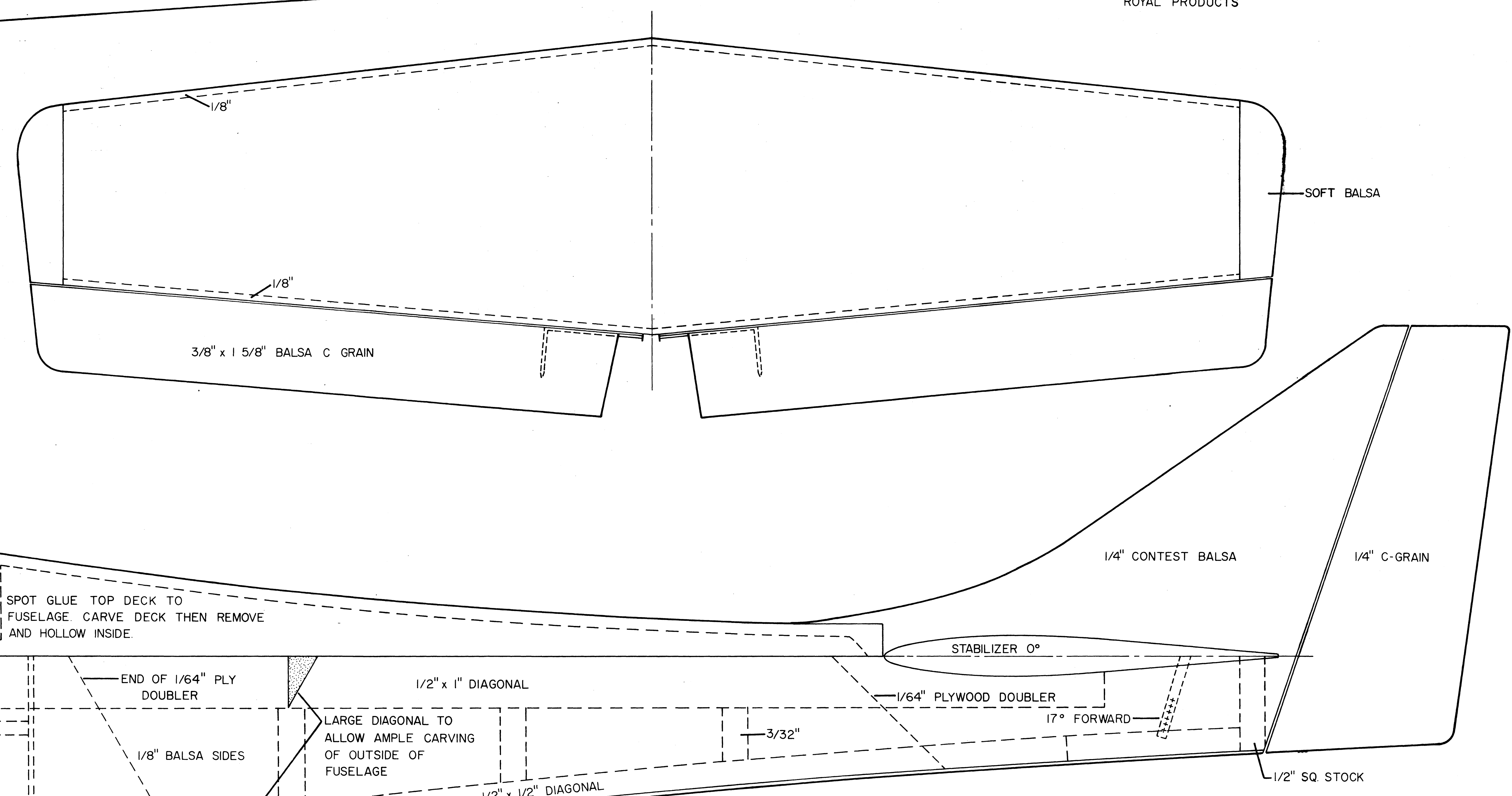
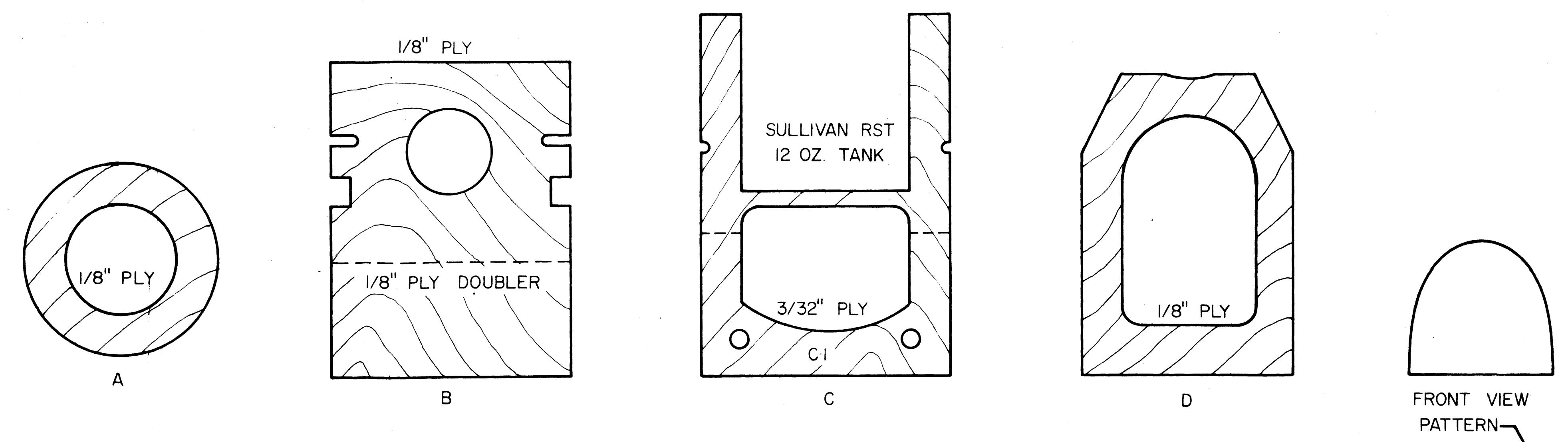
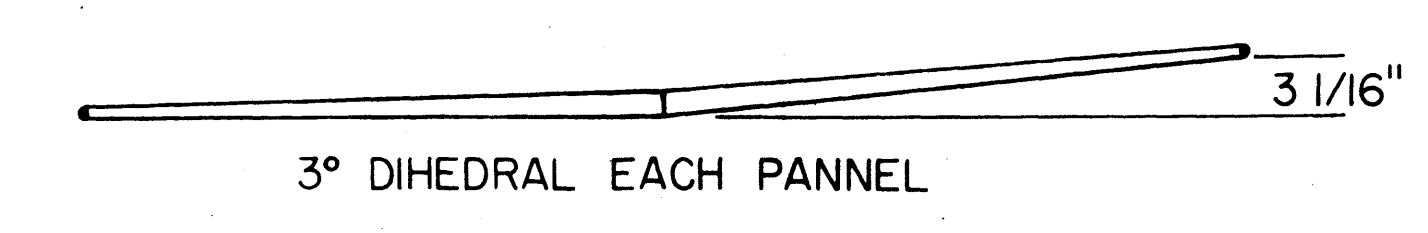


WING AND STAB. CORES
MAY BE PURCHASED FROM
BK PRODUCTS
4765 E. ILIFF
DENVER, COLORADO
OR
ROYAL PRODUCTS



PLANE USES FOAM WING AND STAB COVERED WITH 1/64" PLYWOOD. FOR THOSE WANTING THE BUILT UP TYPE USE THE STACK METHOD.

WING SPAN 64 1/2"
WING AREA 611 SQ. IN.
DESIGN WEIGHT 5 1/2 - 6 1/2 LBS.

TORNADO '88'

DESIGNED & DRAWN BY DON BALLREICH INKED BY MIKE CROWLEY

0 1 2 3 4 5 6