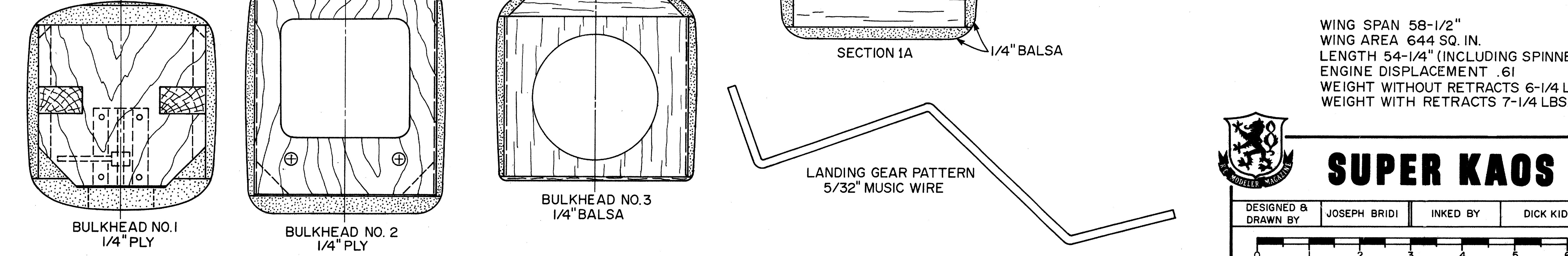
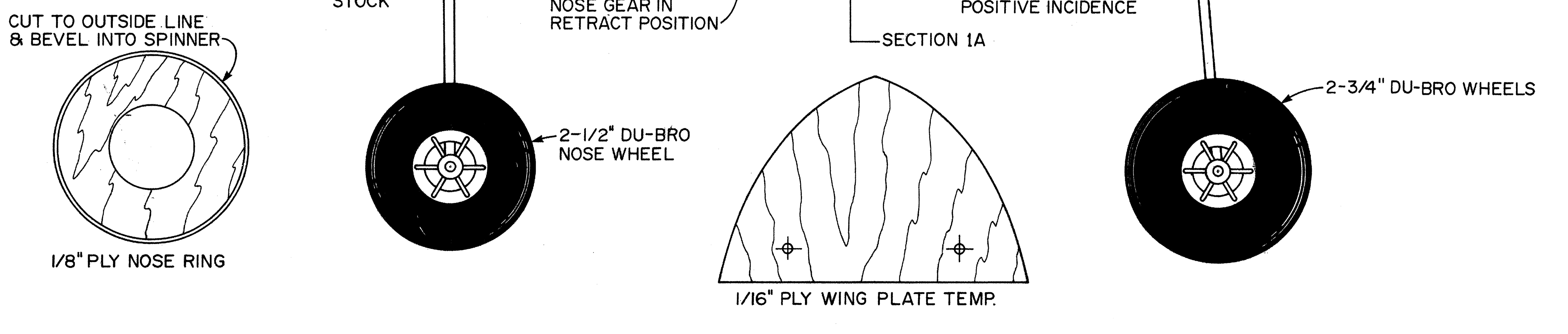
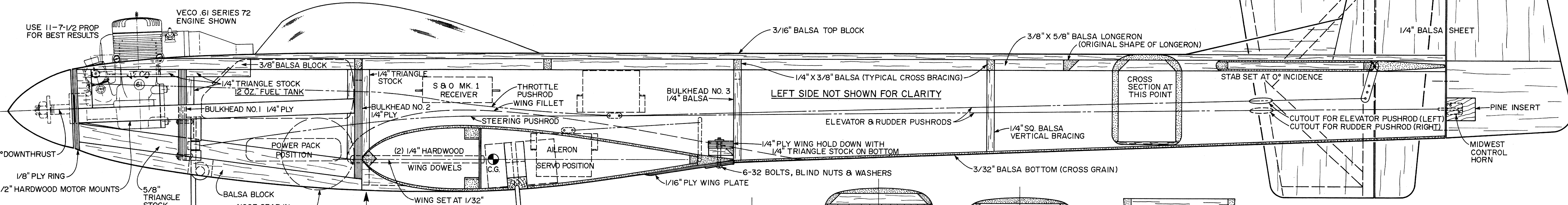
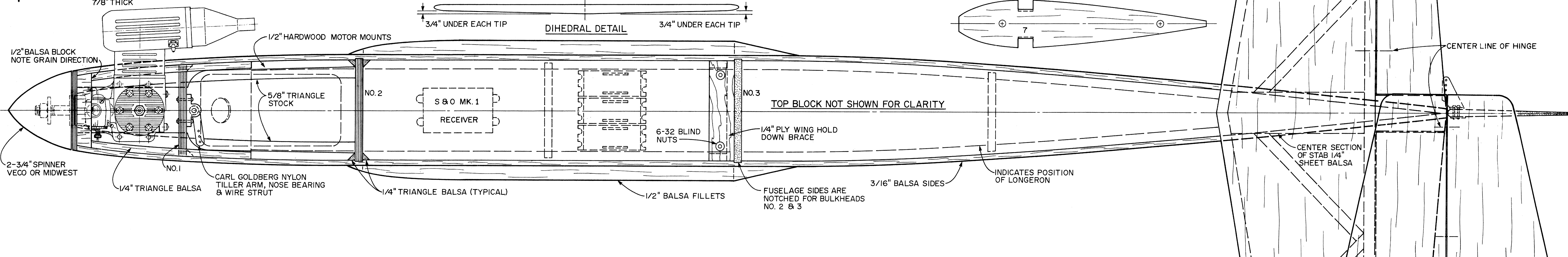
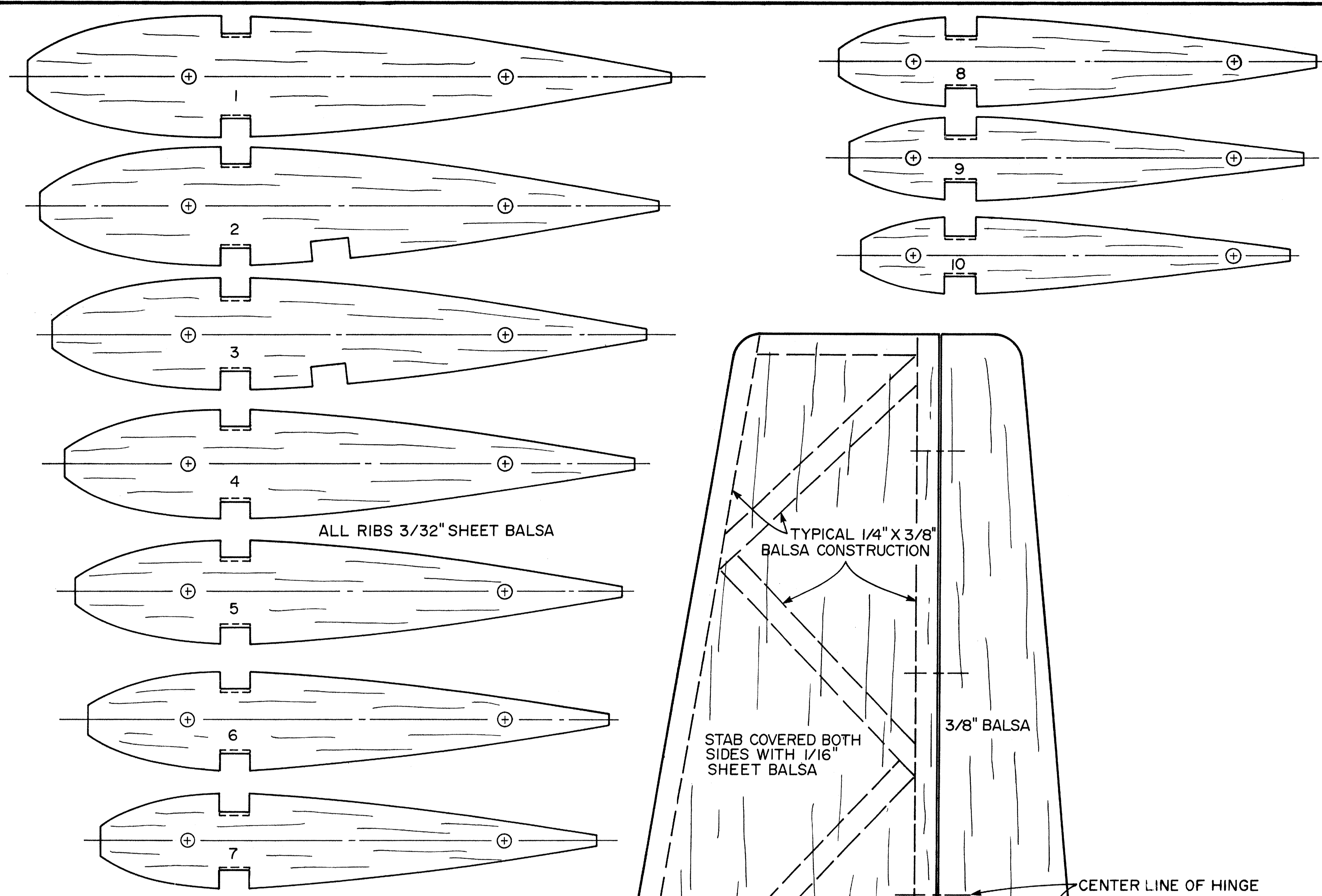
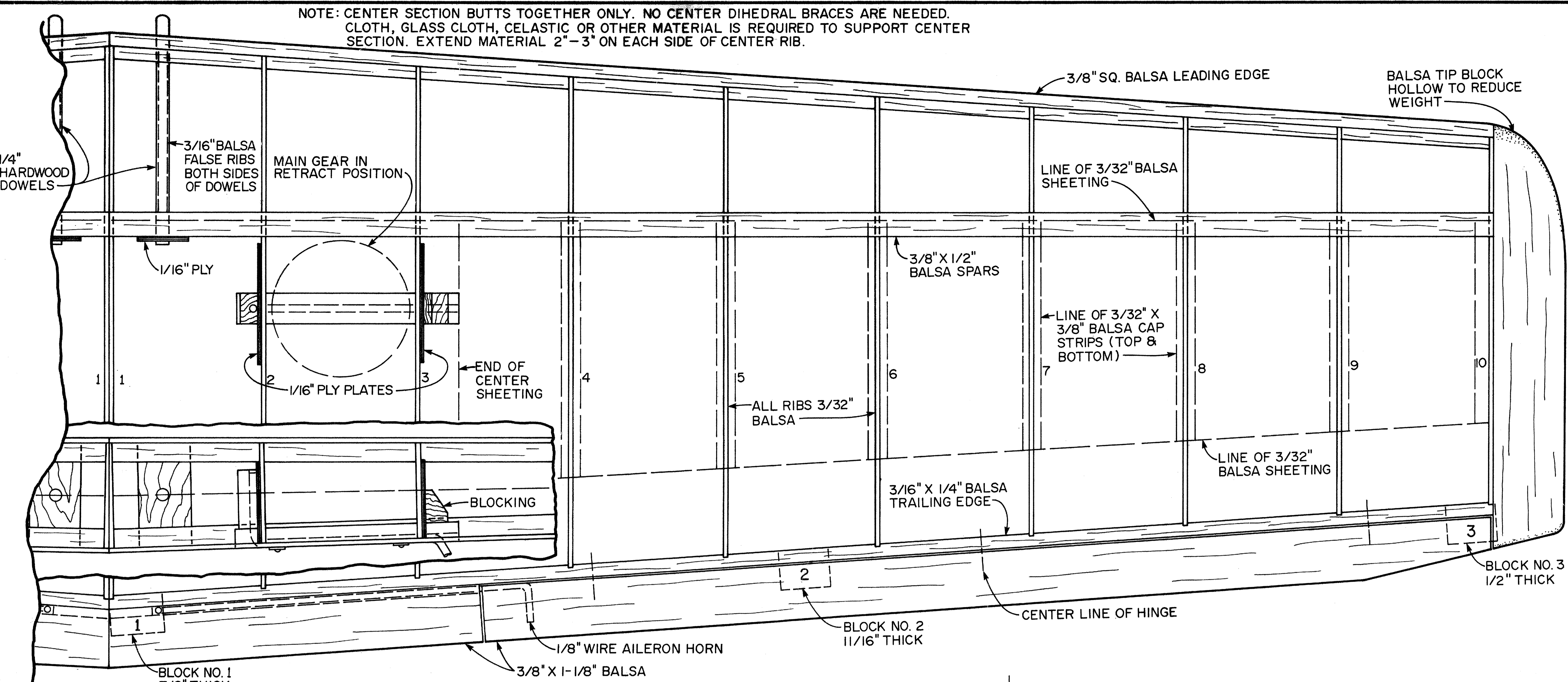


NOTE: CENTER SECTION BUTTS TOGETHER ONLY. NO CENTER DIHEDRAL BRACES ARE NEEDED.
CLOTH, GLASS CLOTH, CELASTIC OR OTHER MATERIAL IS REQUIRED TO SUPPORT CENTER SECTION. EXTEND MATERIAL 2"-3" ON EACH SIDE OF CENTER RIB.



SUPER KAOS

DESIGNED & DRAWN BY JOSEPH BRIDI INKED BY DICK KIDD