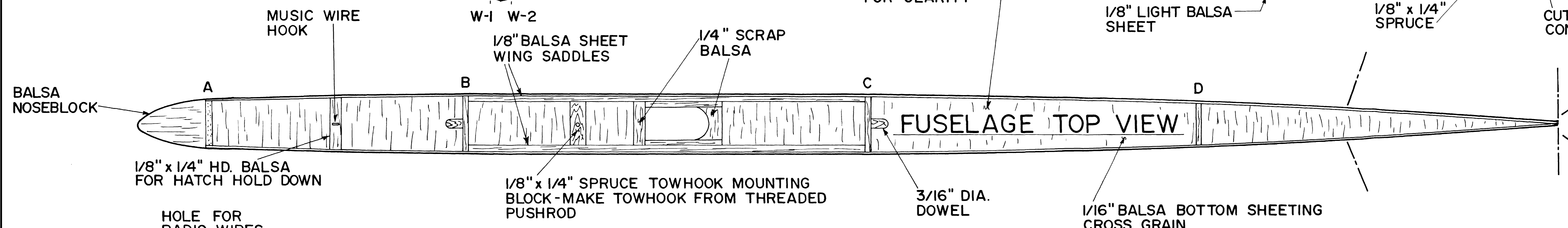
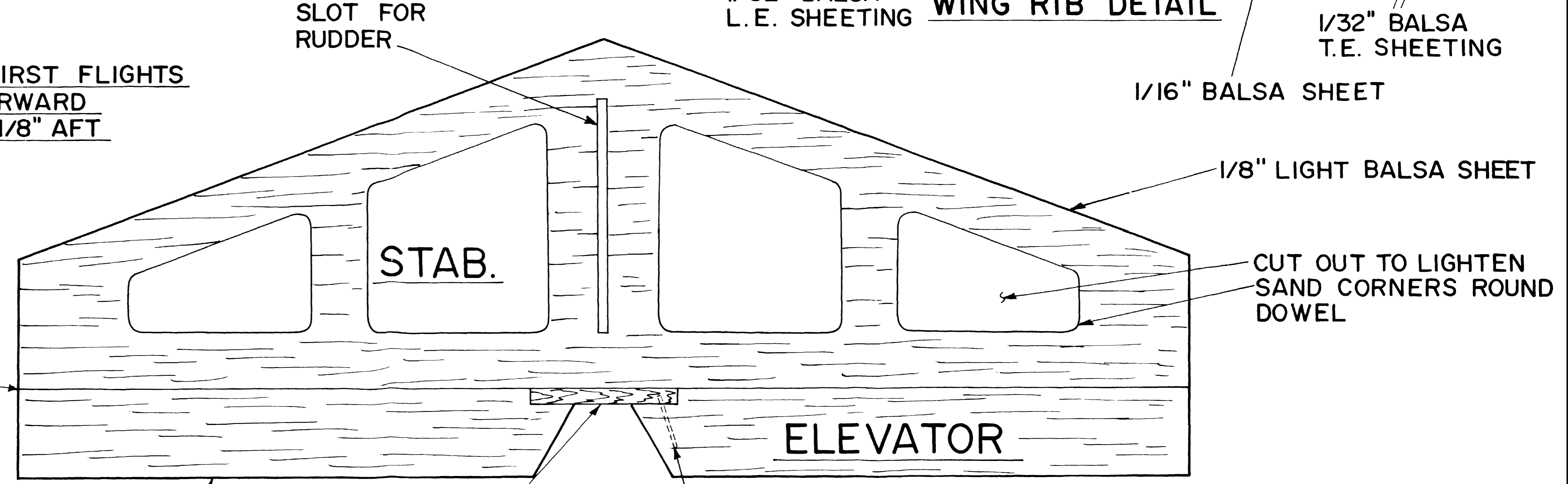
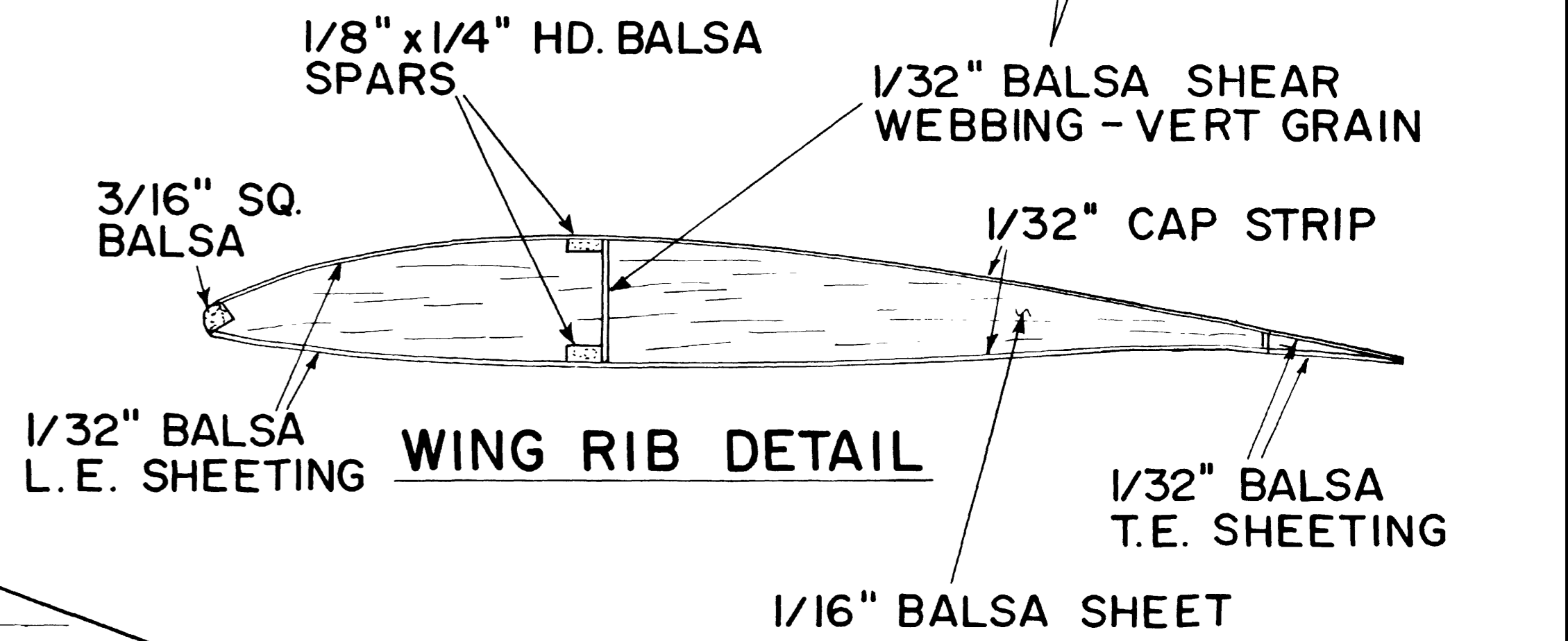


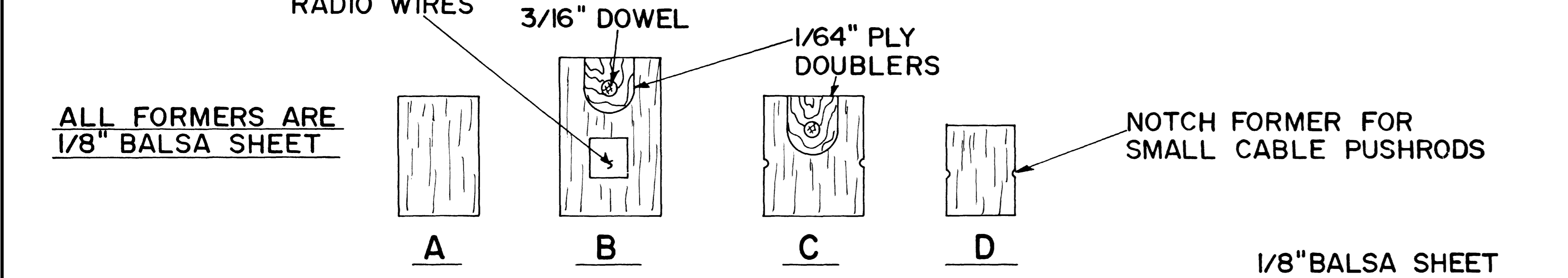
**NOTE:**  
 BUILD WING TIP PANELS AS ONE PIECE. CUT APART. SAND & JOIN TO CENTER PANEL AT W-1 & W-2. INSTALL JOINT RIBS AND CAP STRIPS.

**BALANCE HERE FOR FIRST FLIGHTS**  
 - HIGH WINDS: 1/8" FORWARD  
 - CALM, AEROBATICS: 1/8" AFT



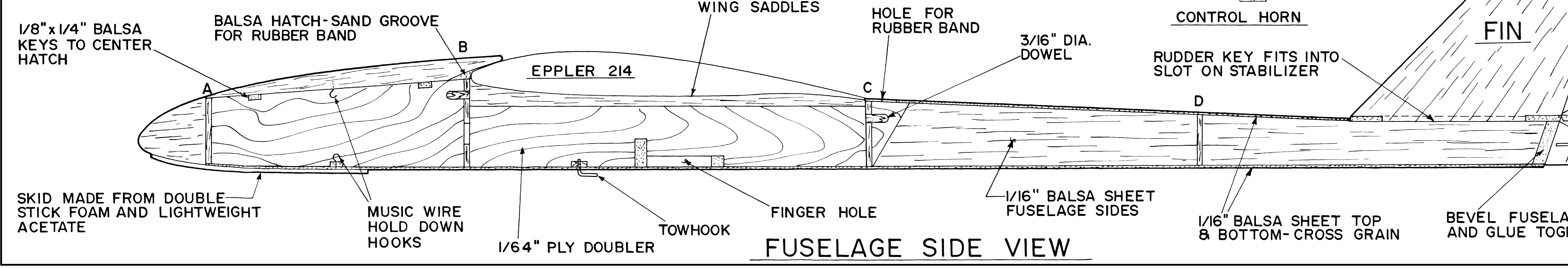
**CONTROL THROWS**  
 RUDDER 1/2" LEFT & RIGHT  
 ELEVATOR 3/8" UP & DOWN

**NOTE: HINGE RUDDER AND ELEVATOR TO SUIT**



**NOTE: USE 2 NO. 64 RUBBER BANDS TO HOLD WING**

**NOTE: FUSELAGE IS SHOWN CUT "DOWN THE MIDDLE" FOR CLARITY**



**SPECIFICATIONS**

ONE METER HAND LAUNCHED GLIDER

|              |                 |
|--------------|-----------------|
| FLYING WT.   | 11 OZ.          |
| WING AREA    | 344 SQ. IN.     |
| ASPECT RATIO | 4.65            |
| WING LOADING | 4.6 OZ./SQ. FT. |

© RCM ALL COMMERCIAL RIGHTS RESERVED

**STYLUS**

DESIGNED & DRAWN BY CARL DOWDY INKED BY JOE DEMARCO