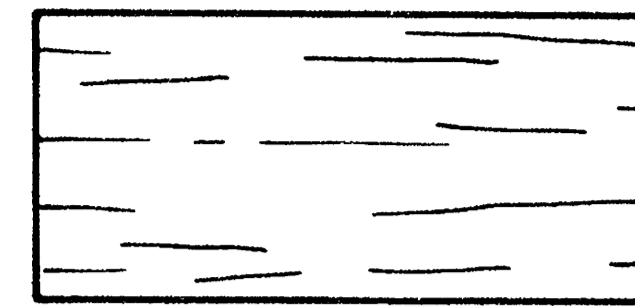
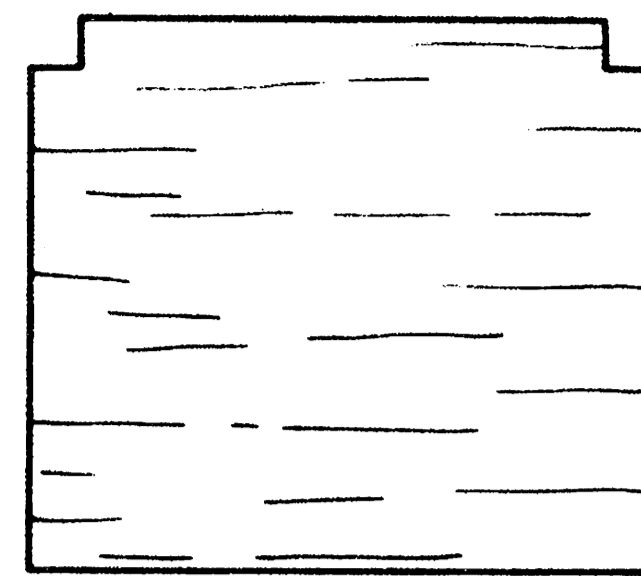


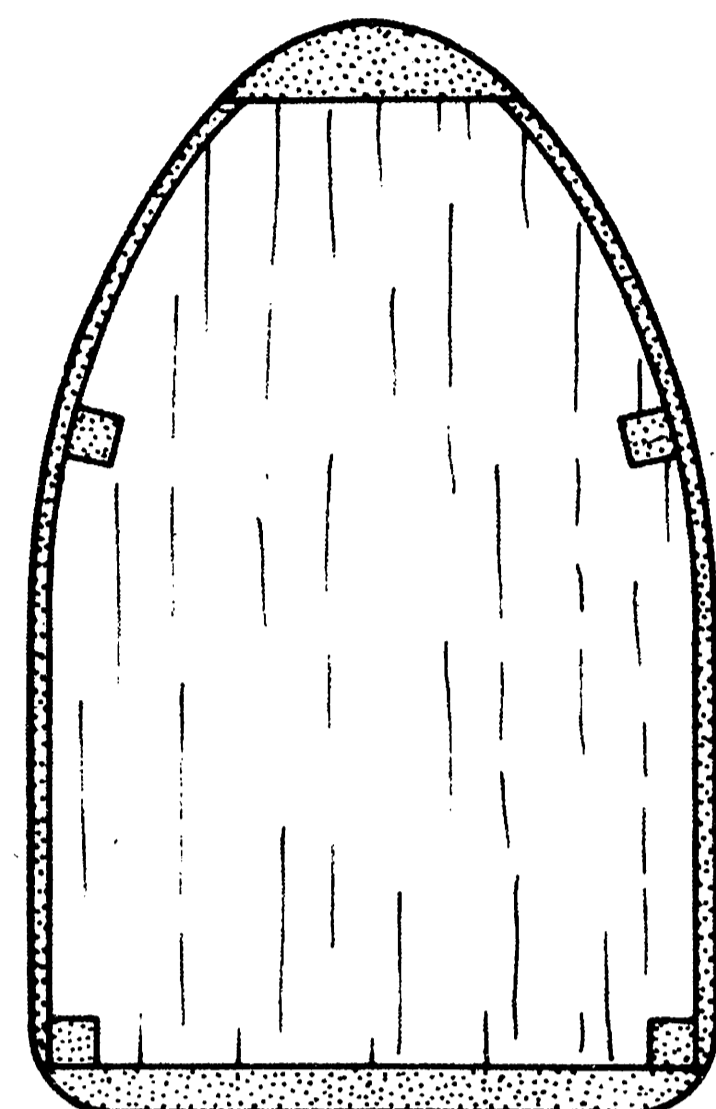
FIREWALL #1
1/4" PLYWOOD



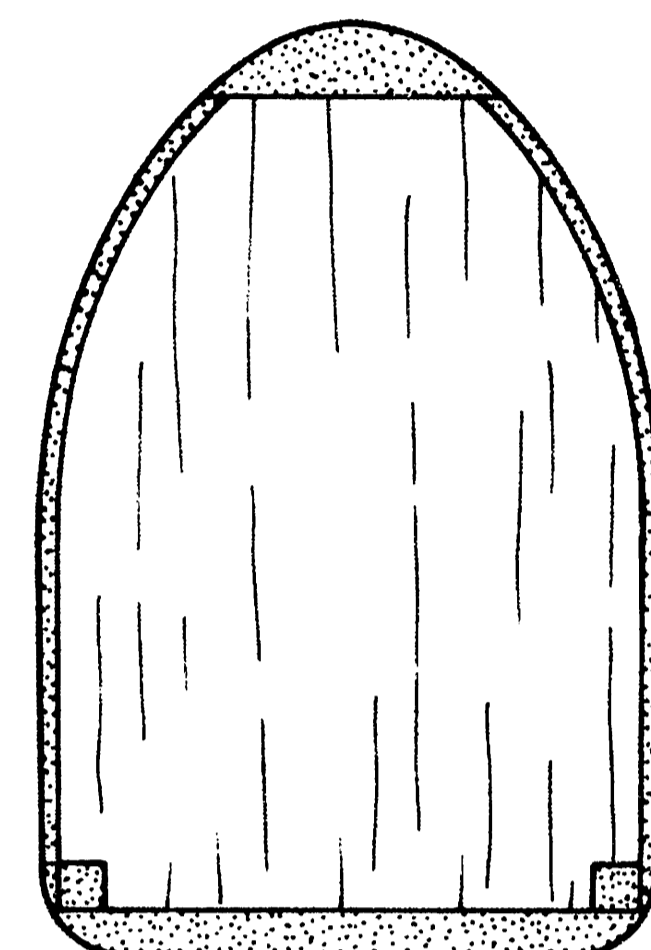
BULKHEAD #2



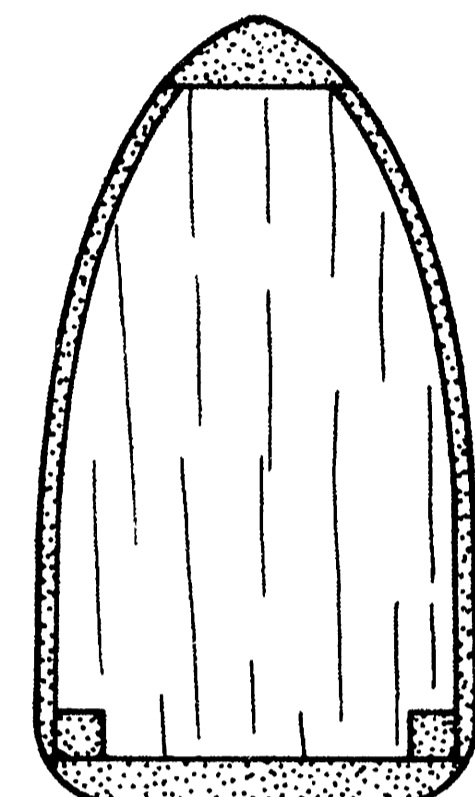
BULKHEAD #3



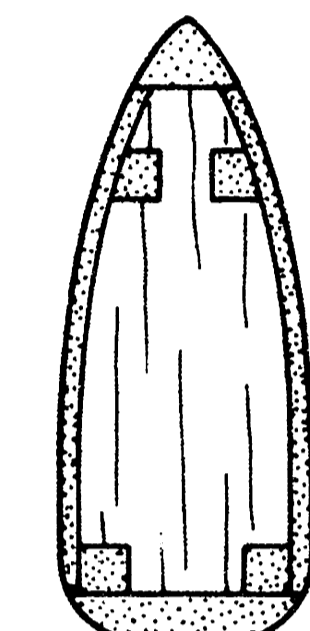
BULKHEAD #4



BULKHEAD #5



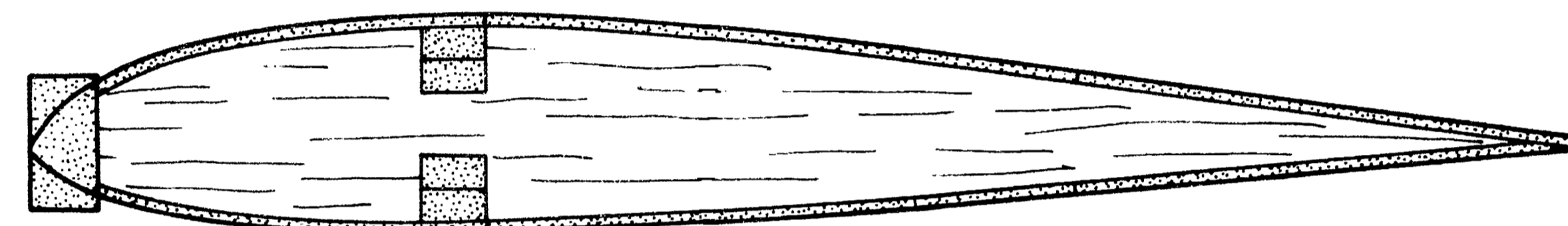
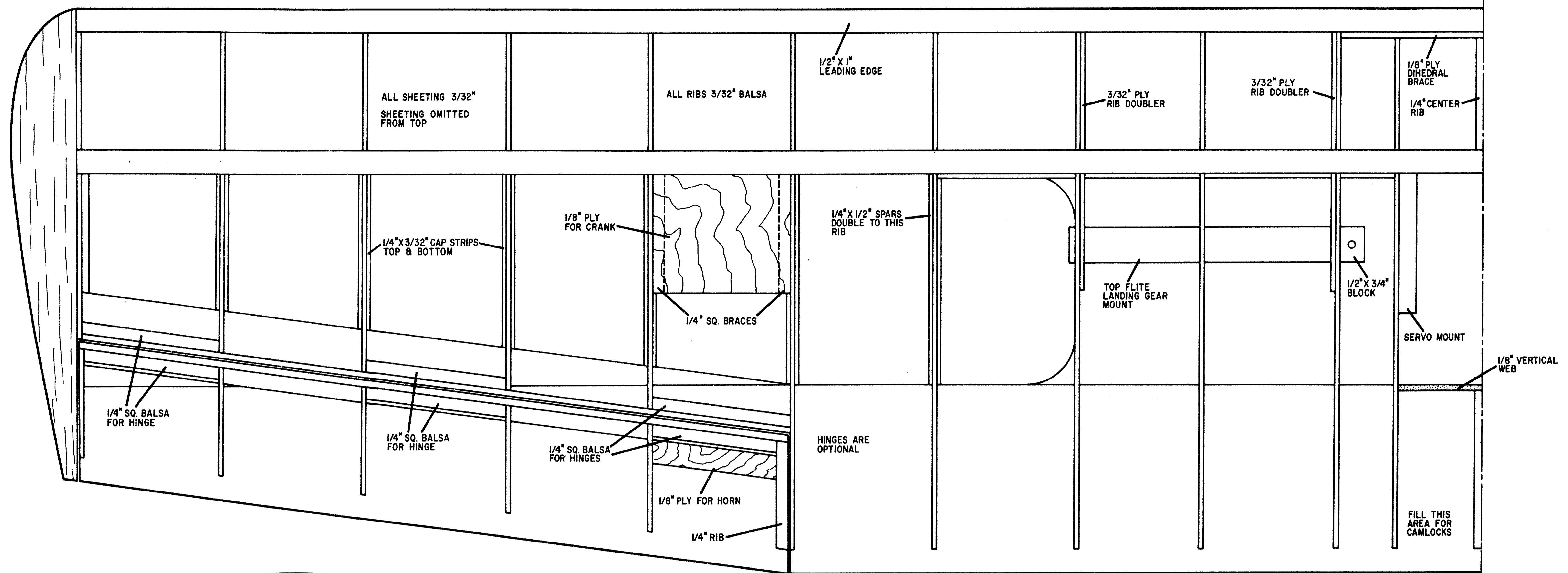
BULKHEAD #6



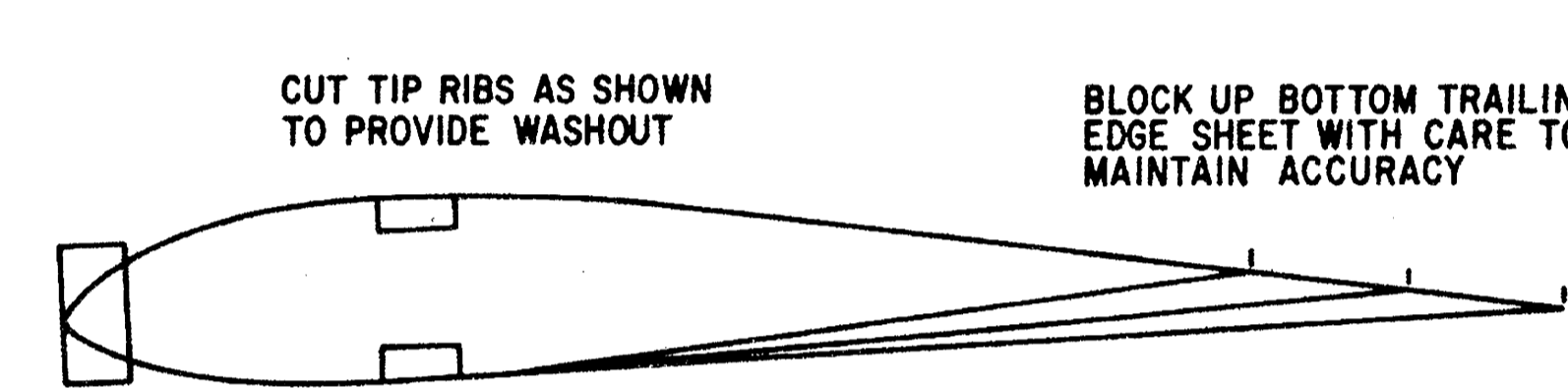
BULKHEAD #7

ALL BULKHEADS ARE 1/4" Balsa

USE 1" DIHEDRAL AT EACH TIP



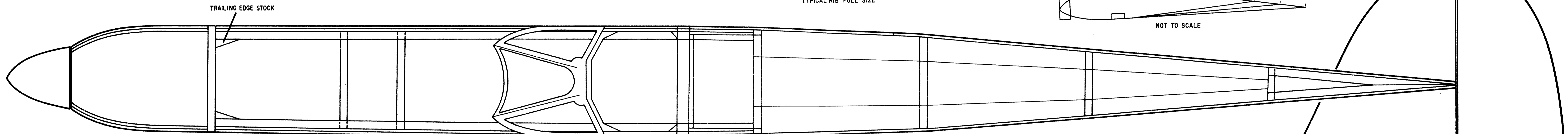
TYPICAL RIB FULL SIZE



CUT TIP RIBS AS SHOWN TO PROVIDE WASHOUT

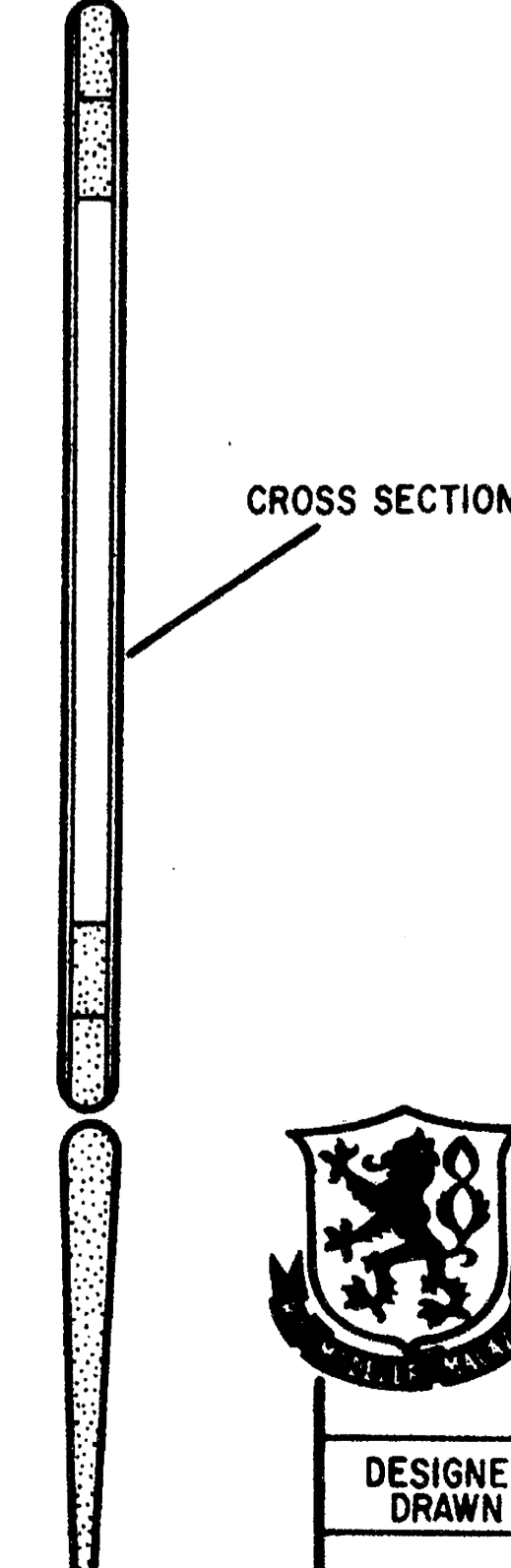
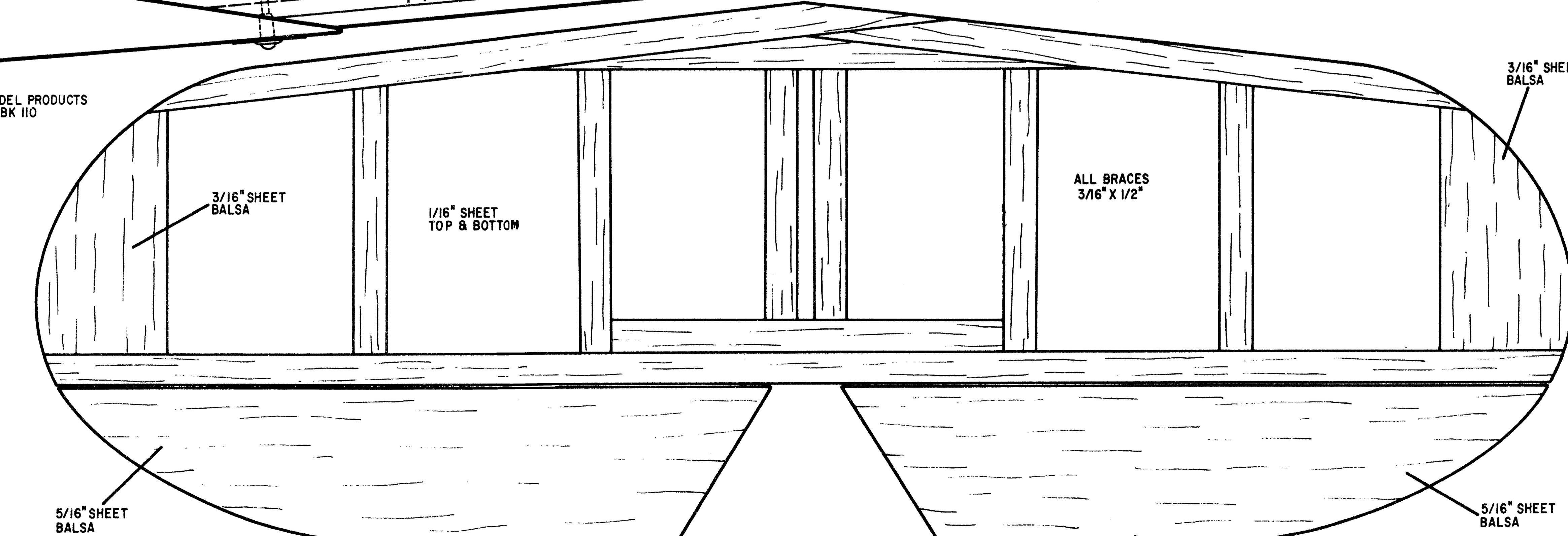
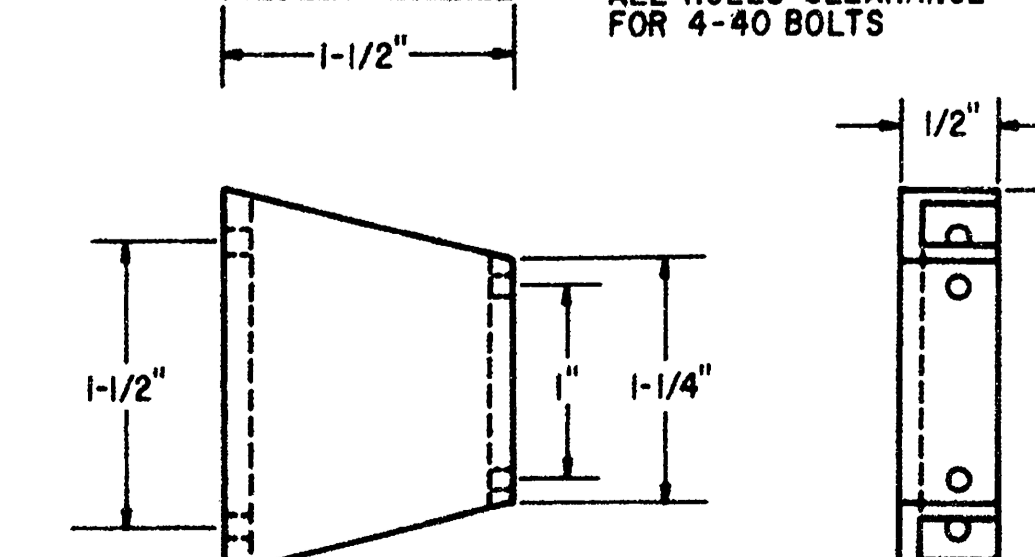
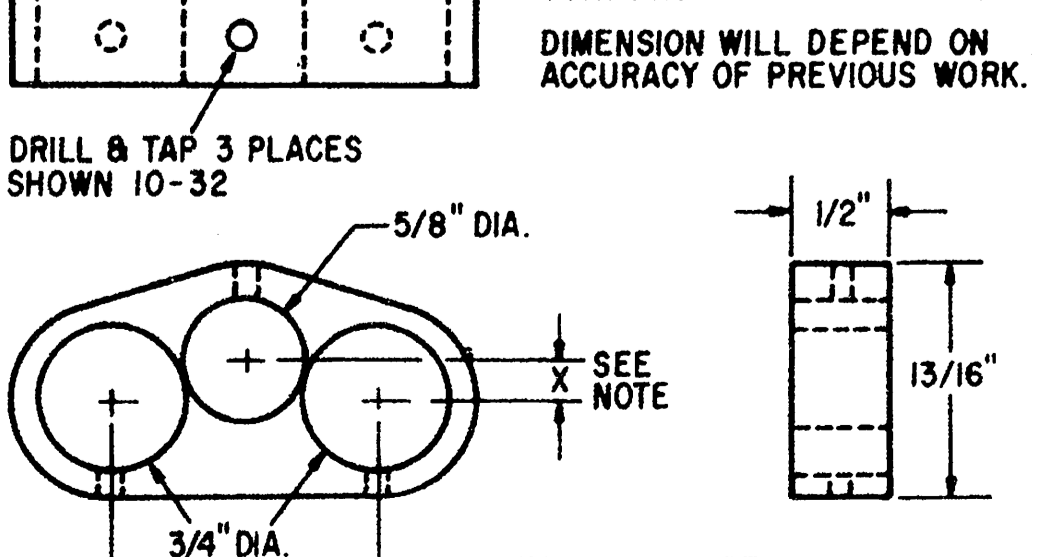
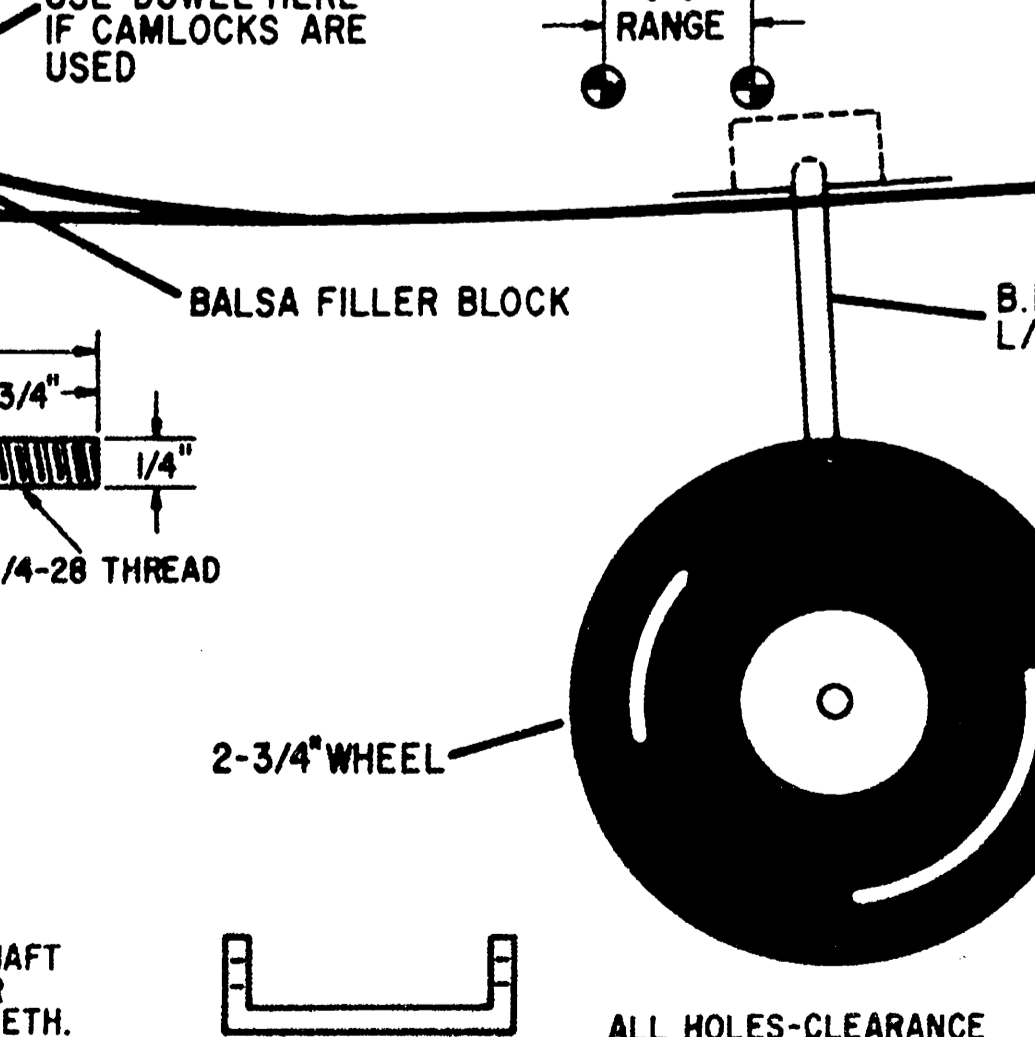
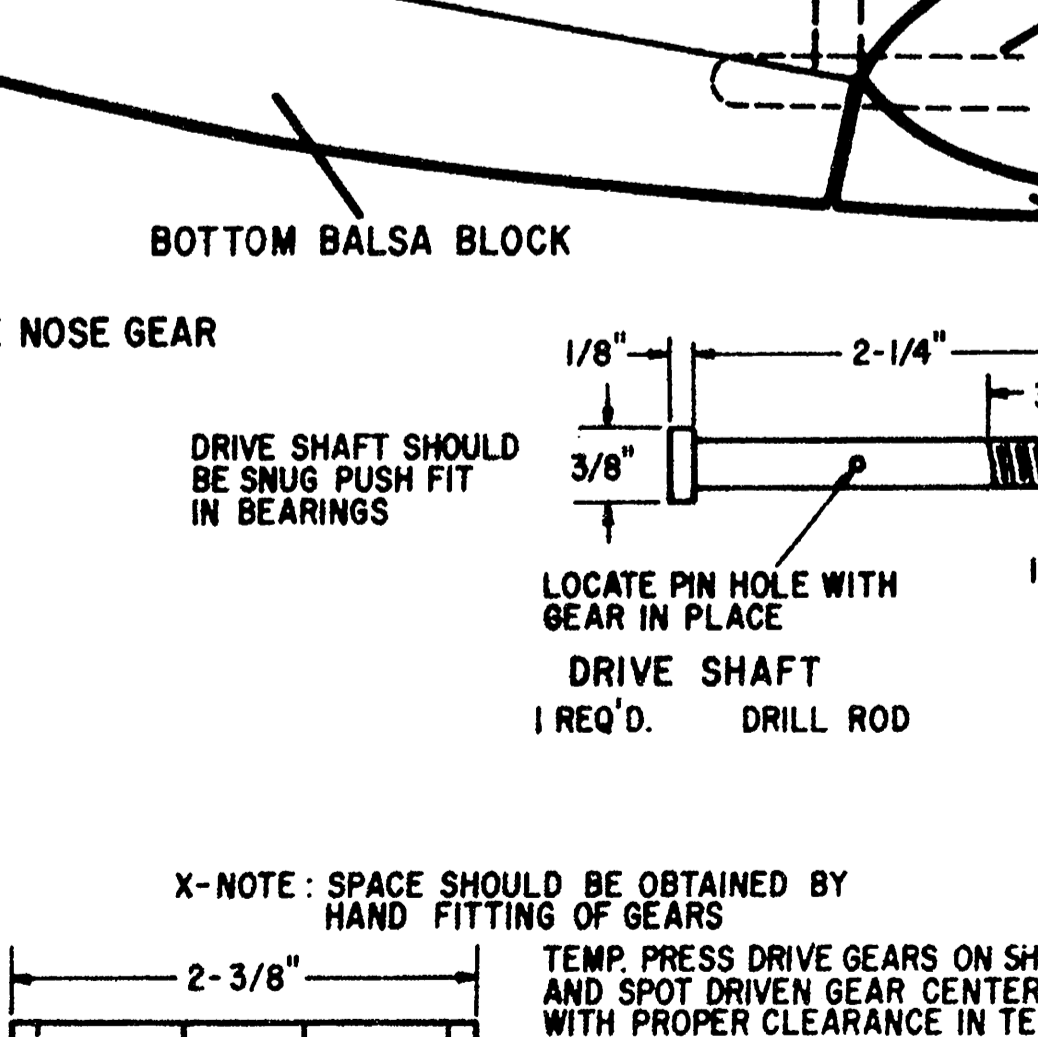
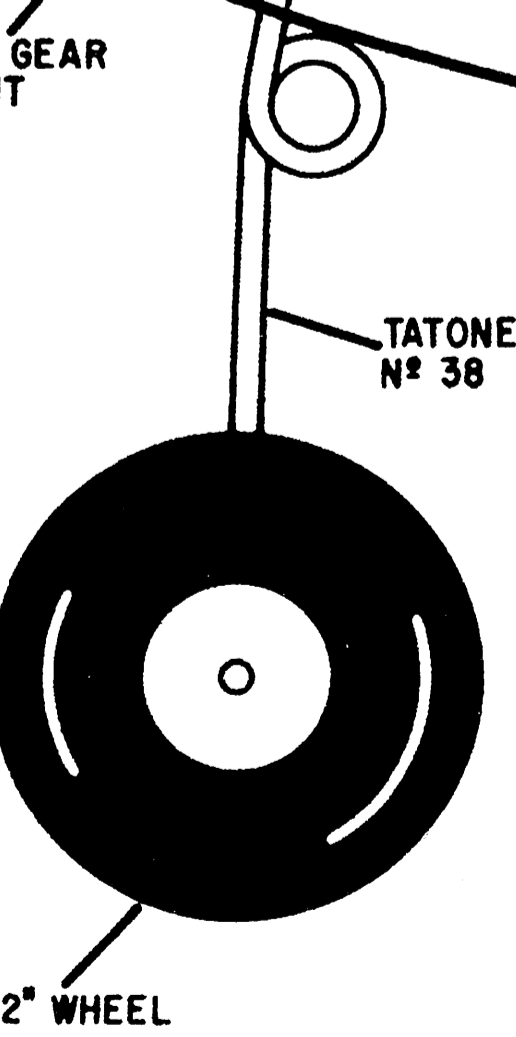
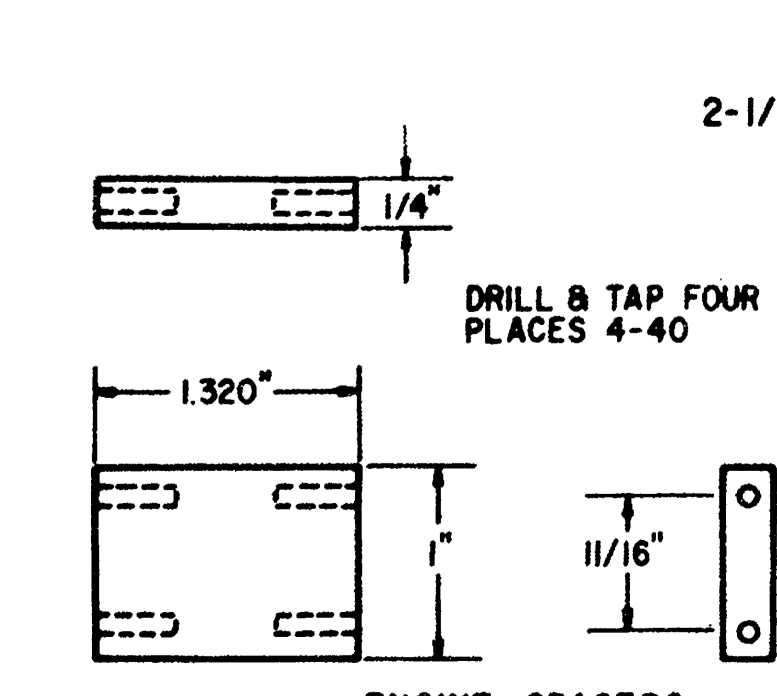
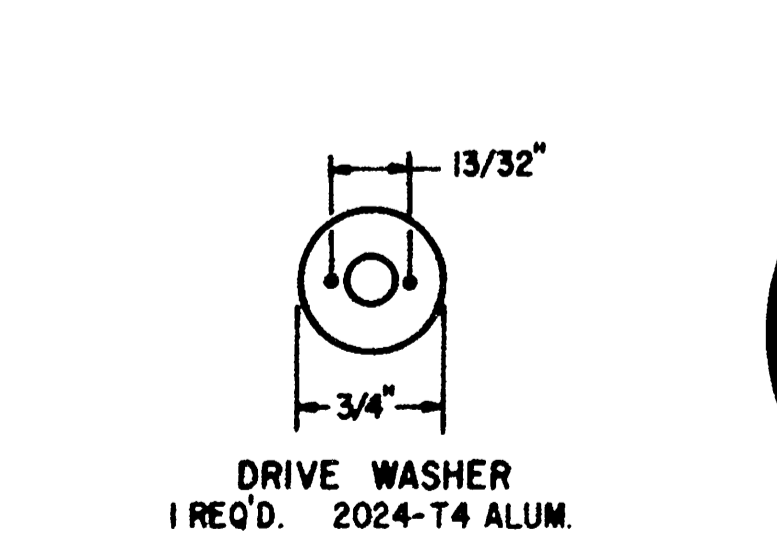
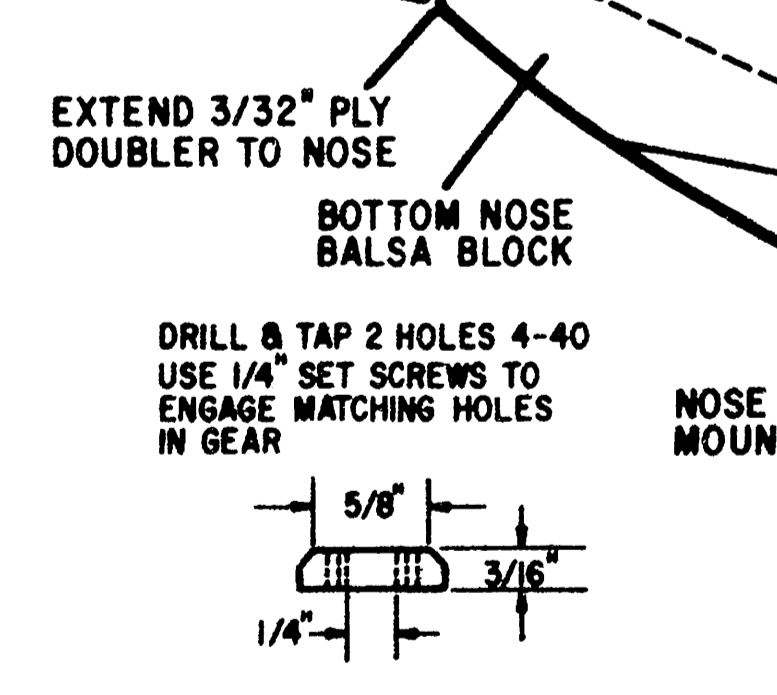
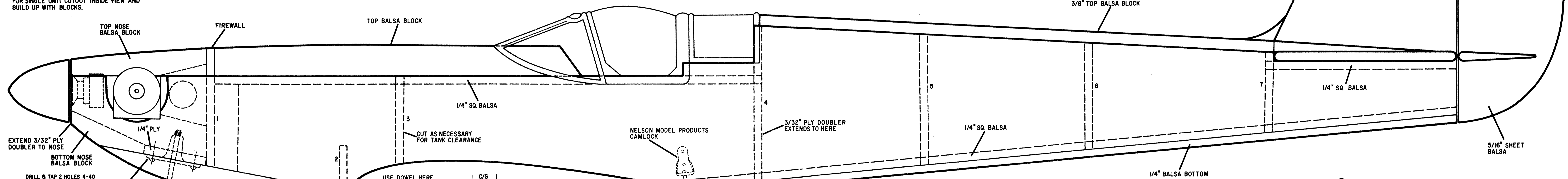
BLOCK UP BOTTOM TRAILING EDGE SHEET WITH CARE TO MAINTAIN ACCURACY

NOT TO SCALE



TRAILING EDGE STOCK

PULL SIDES IN AT NOSE AND BUILD UP AROUND ENGINE WITH SMALL BLOCKS FOR TWIN. FOR SINGLE OMIT CUTOUT INSIDE VIEW AND BUILD UP WITH BLOCKS.



SPITFIRE

DESIGNED & DRAWN BY PAUL BENNETT INKED BY GERARDO FLORES

