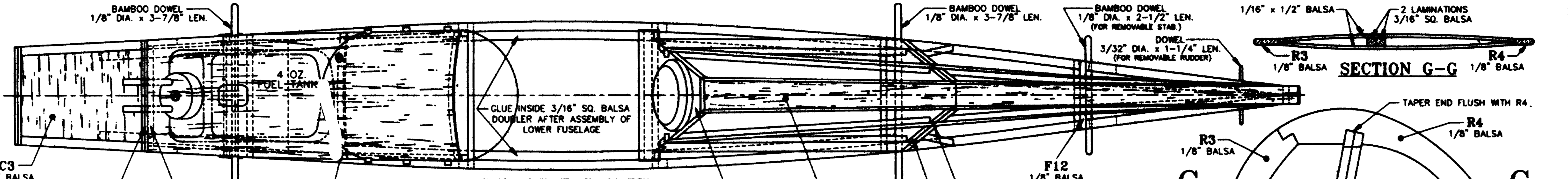
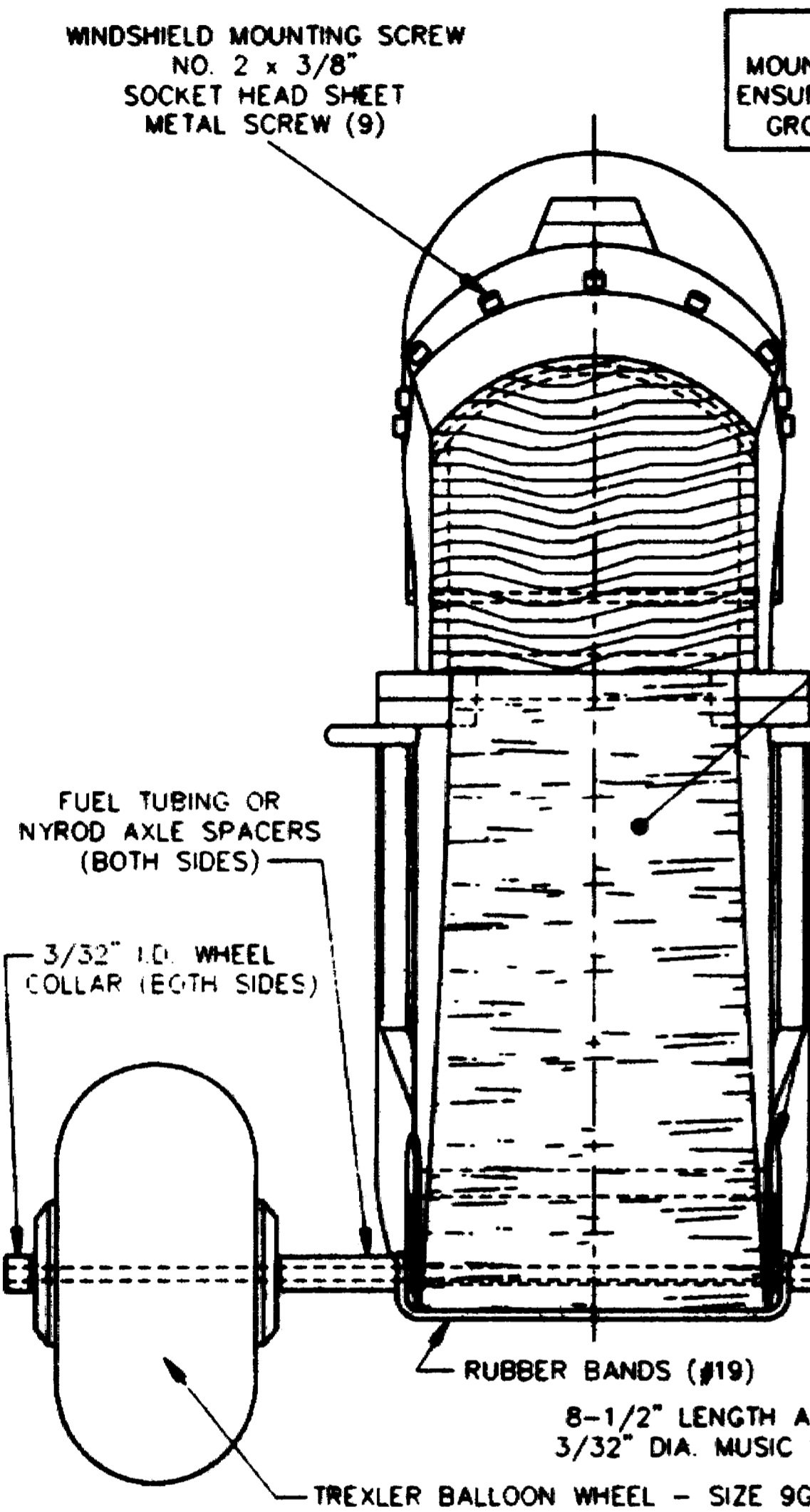


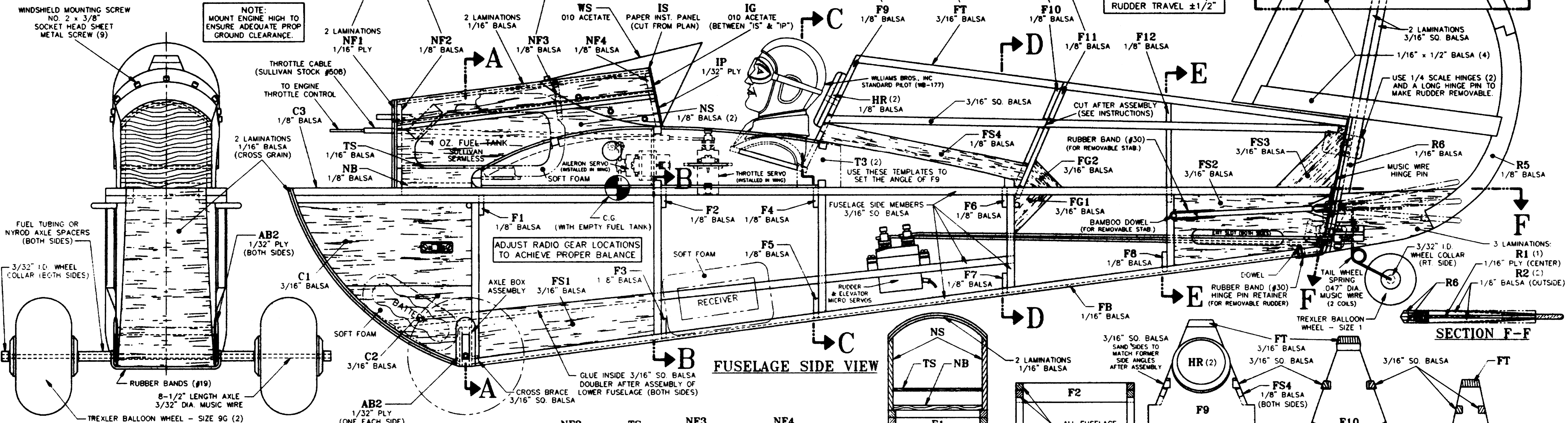
**AXLE BOX ASSEMBLY**



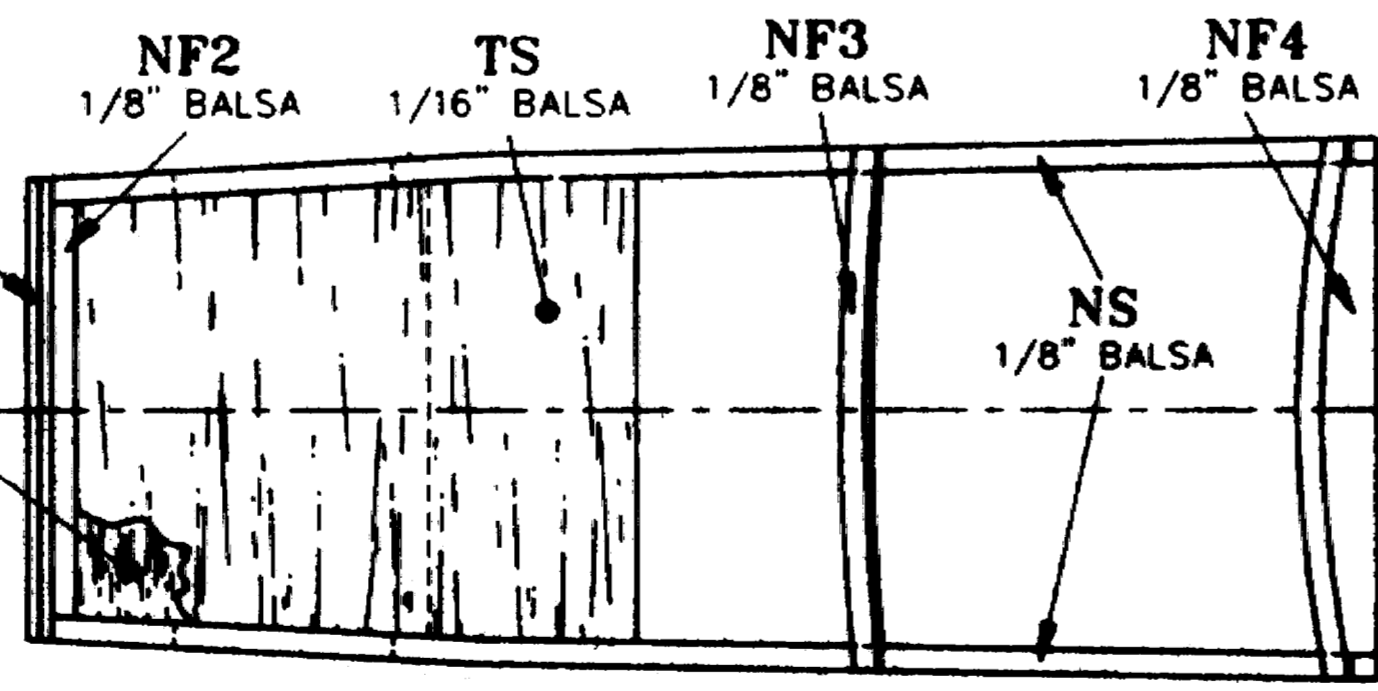
**FUSELAGE TOP VIEW**  
(WING SECTION AND TAIL REMOVED)



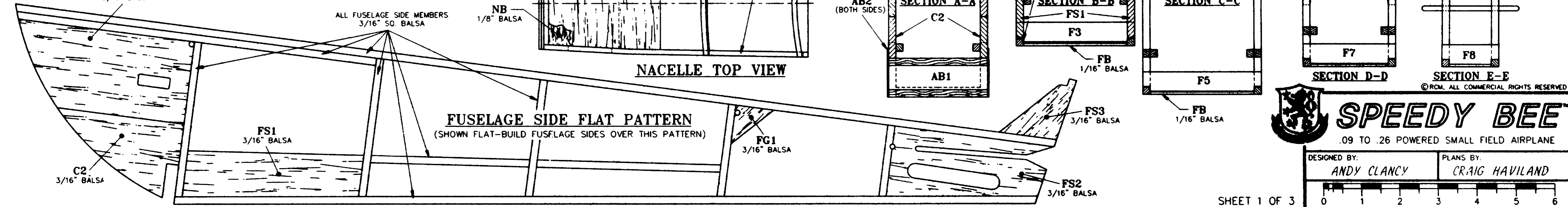
**FUSELAGE FRONT VIEW**



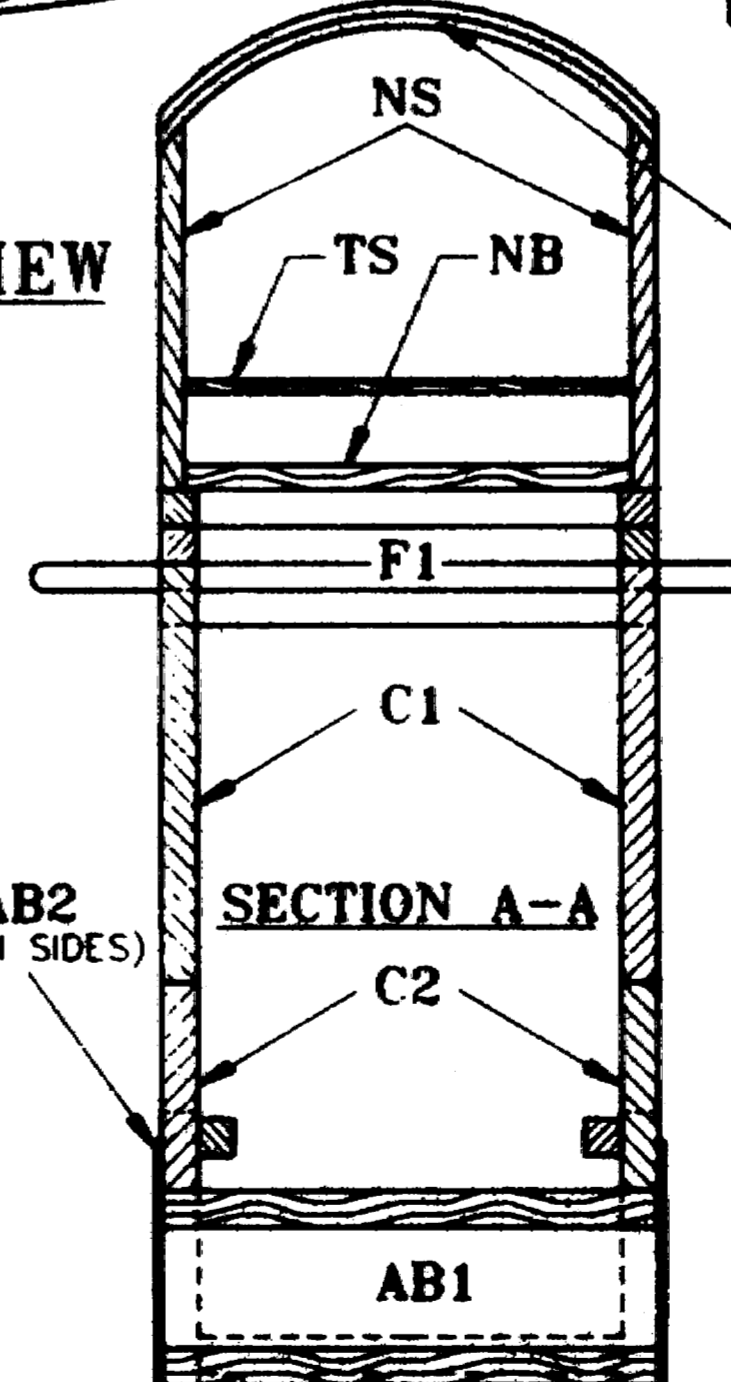
**FUSELAGE SIDE VIEW**



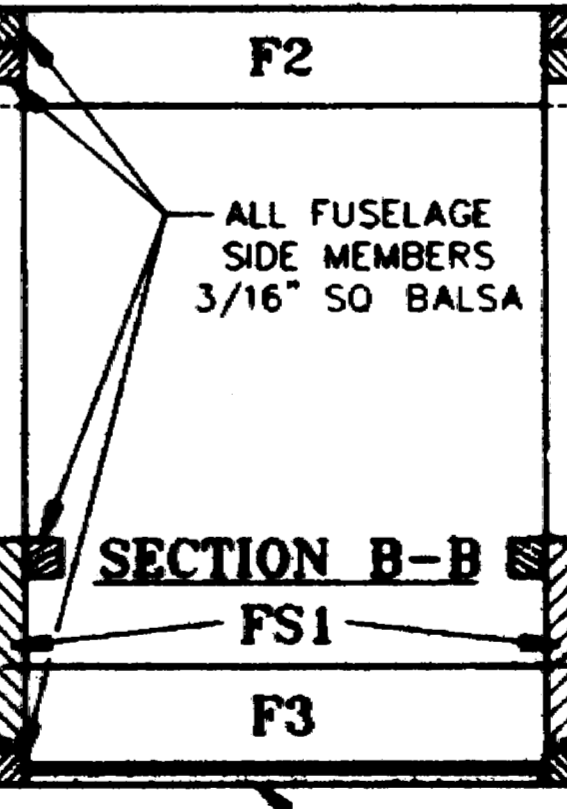
**NACELLE TOP VIEW**



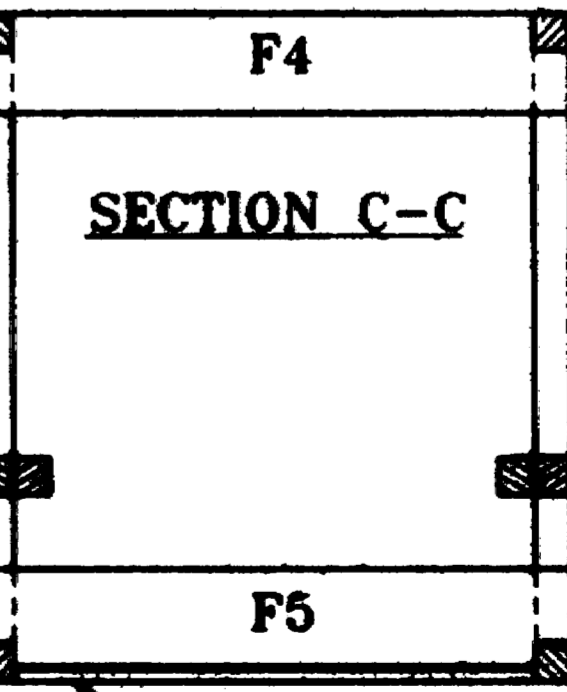
**FUSELAGE SIDE FLAT PATTERN**  
(SHOWN FLAT-BUILD FUSELAGE SIDES OVER THIS PATTERN)



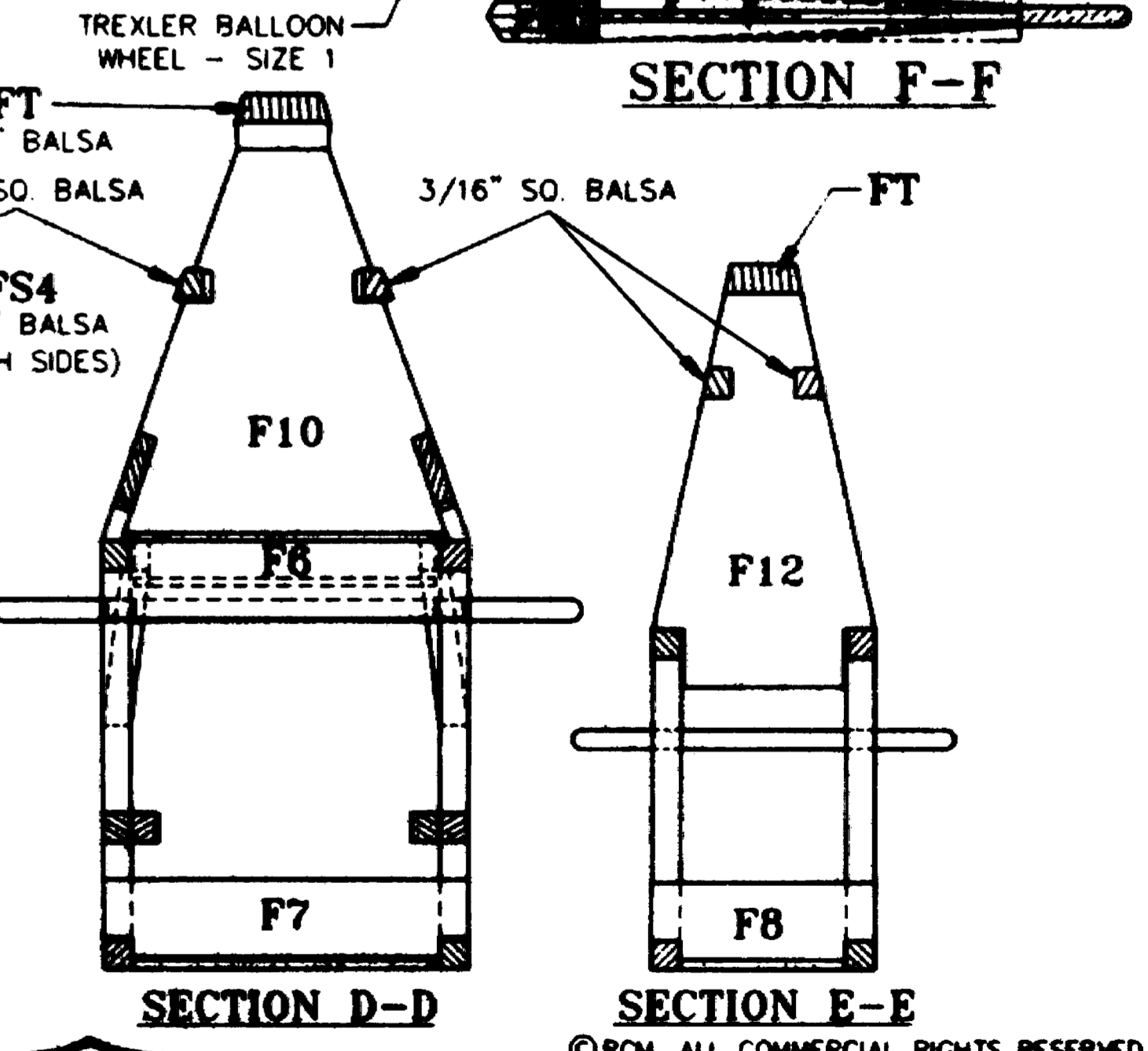
**SECTION A-A**



**SECTION B-B**



**SECTION C-C**



**SECTION D-D**

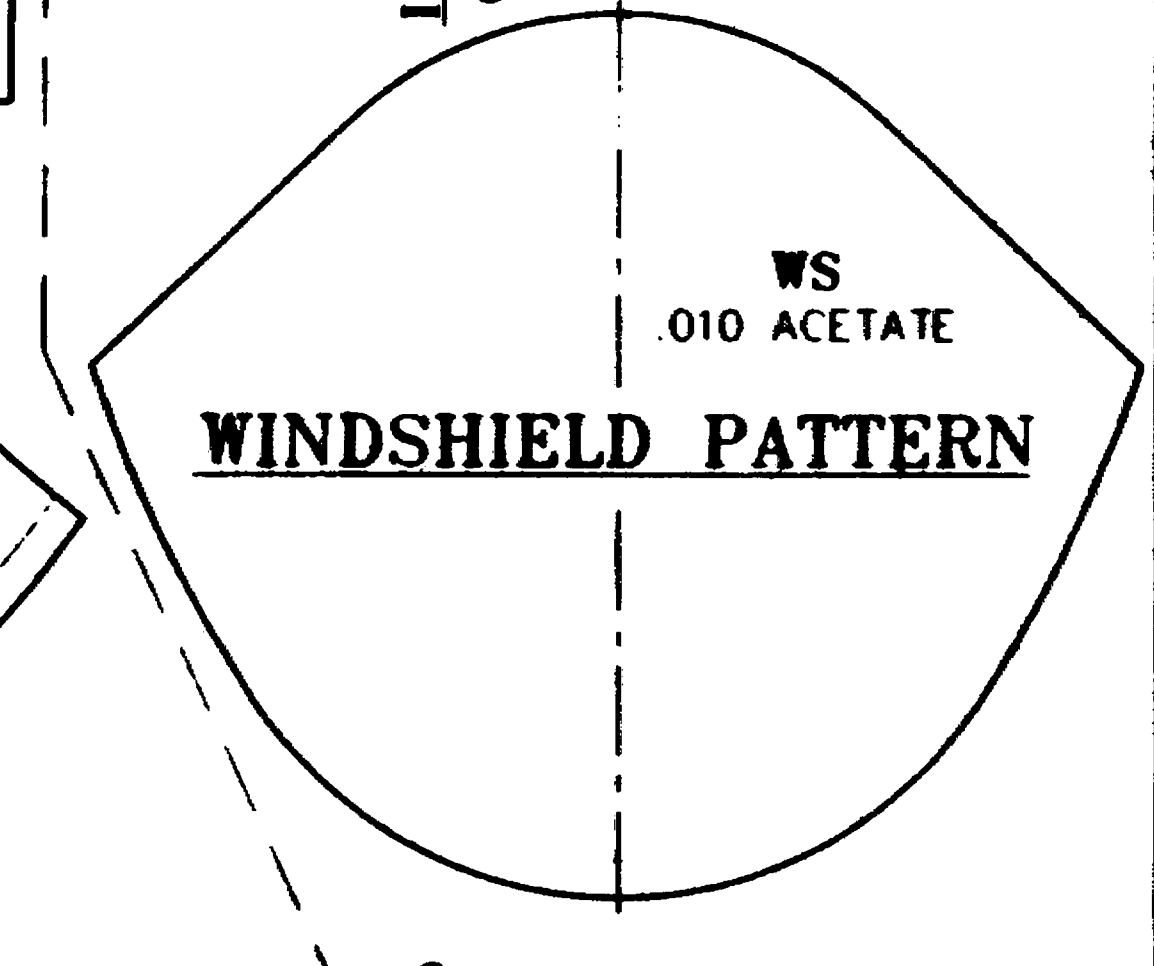
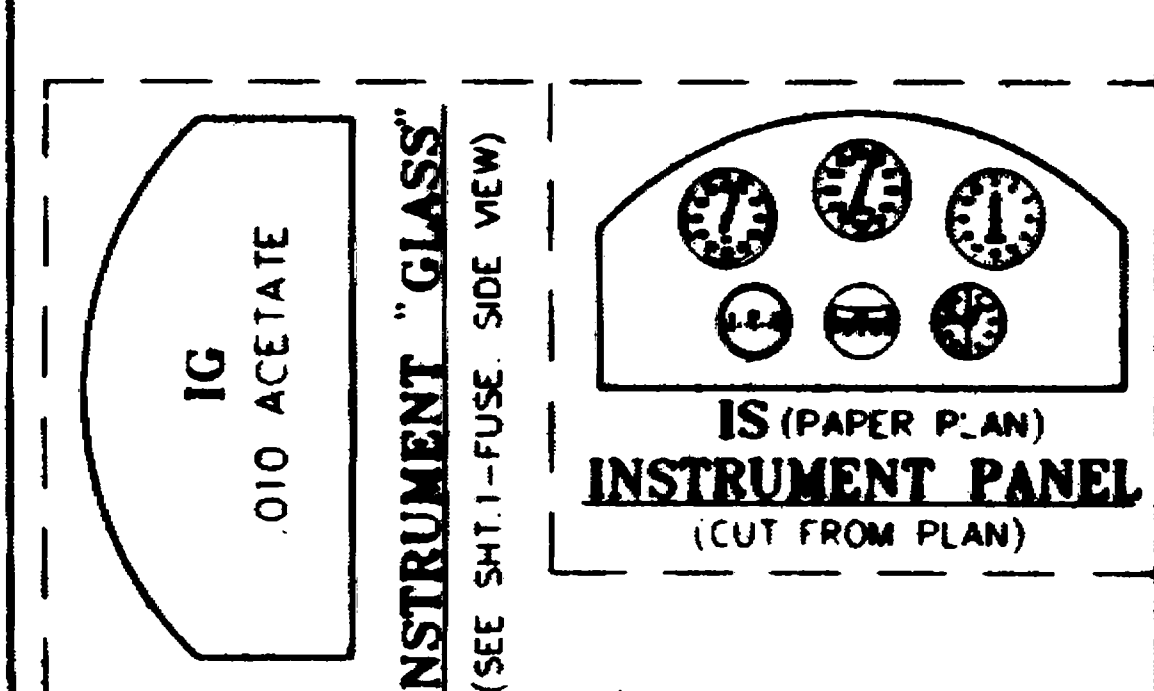
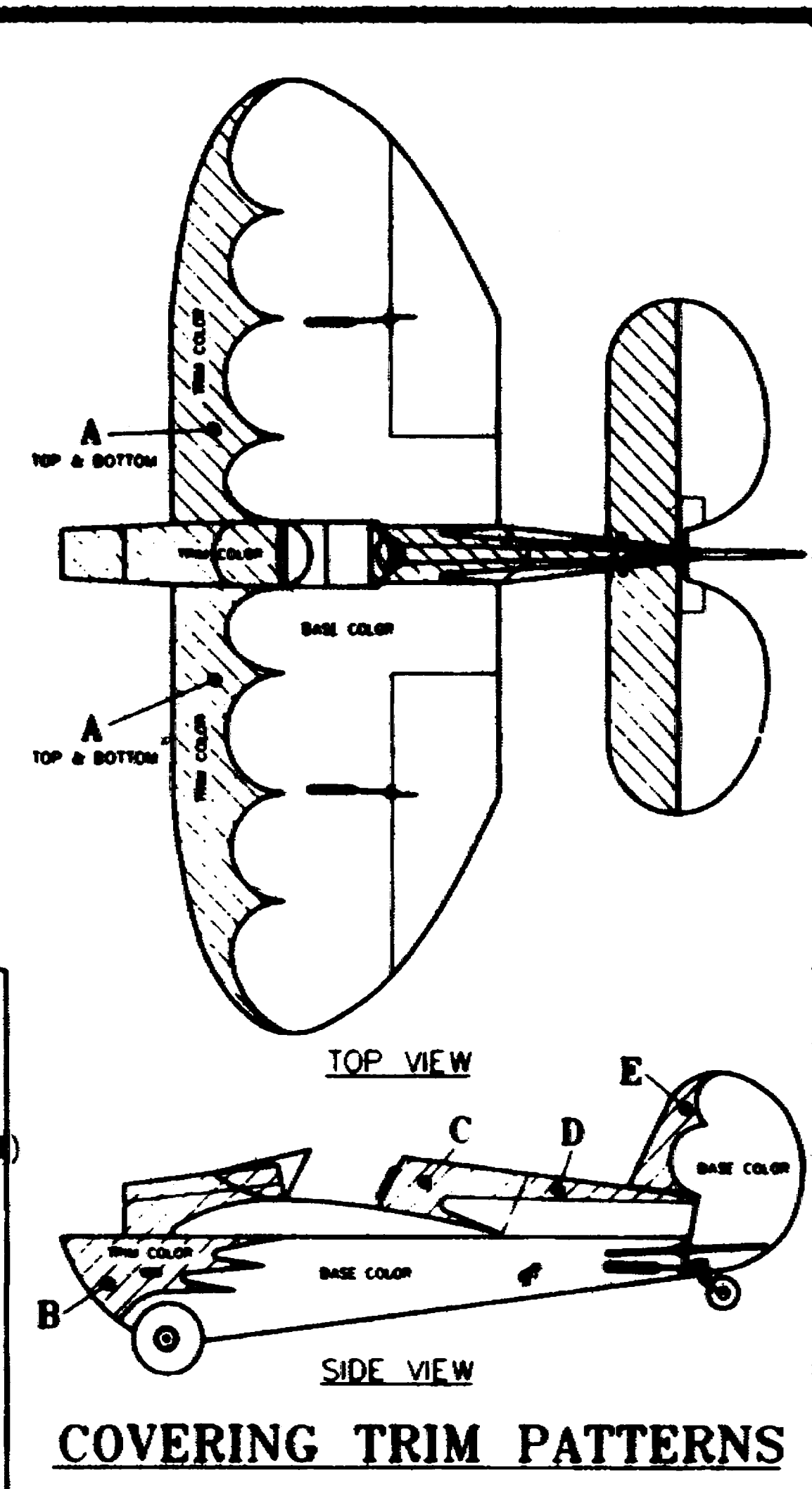
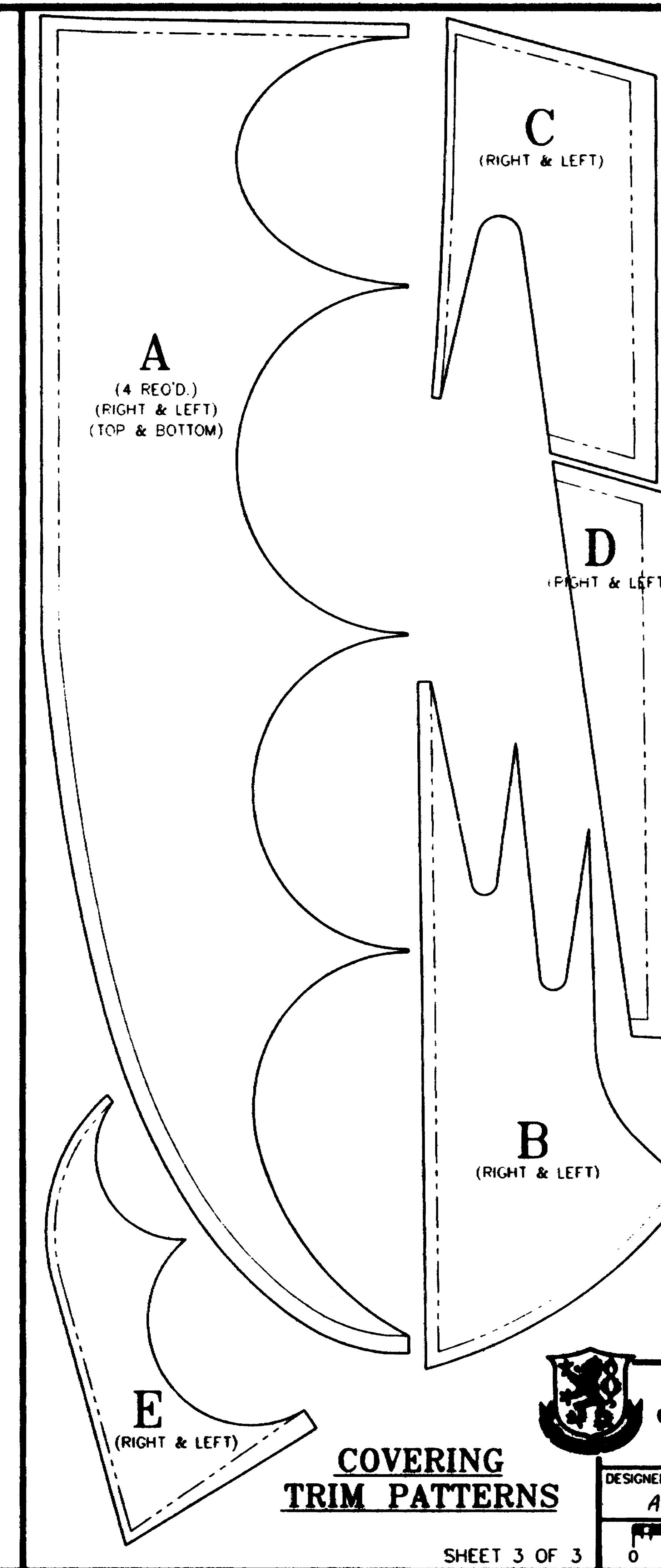
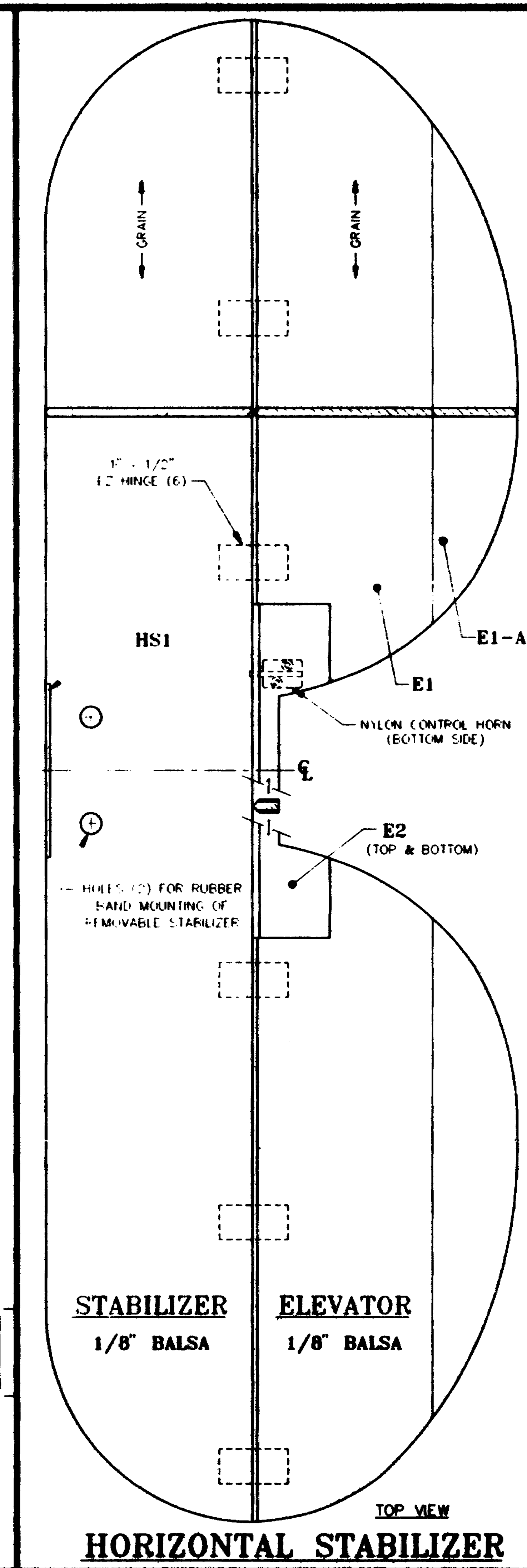
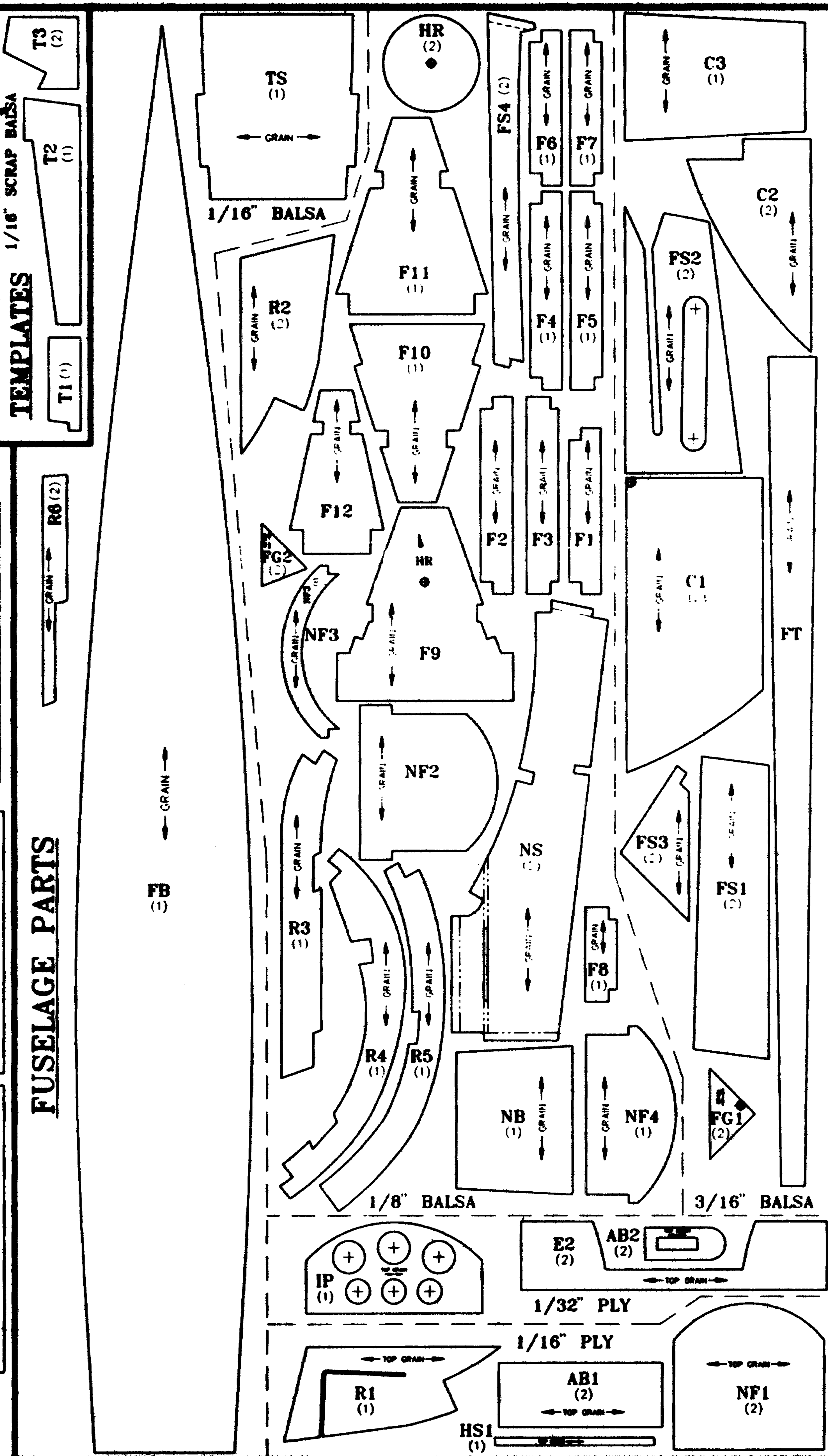
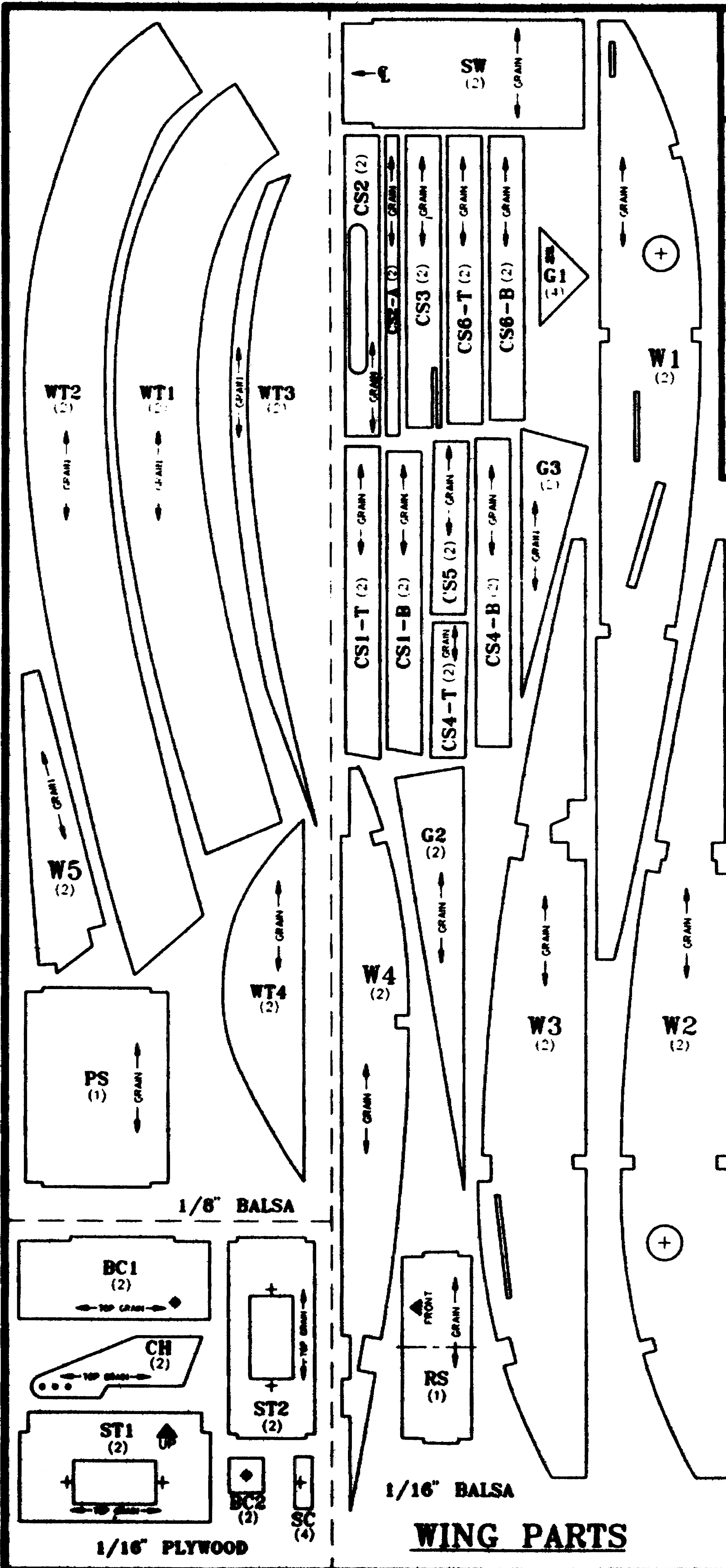
**SECTION E-E**

**SPEEDY BEE™**  
.09 TO .26 POWERED SMALL FIELD AIRPLANE

DESIGNED BY: **ANDY CLANCY**      PLANS BY: **CRAIG HAVILAND**

SHEET 1 OF 3





©RCM. ALL COMMERCIAL RIGHTS RESERVED.

**SPEEDY BEE**

.09 TO .26 POWERED SMALL FIELD AIRPLANE

DESIGNED BY: **ANDY CLANCY**

PLANS BY: **CRAIG HAVILAND**

0 1 2 3 4 5 6