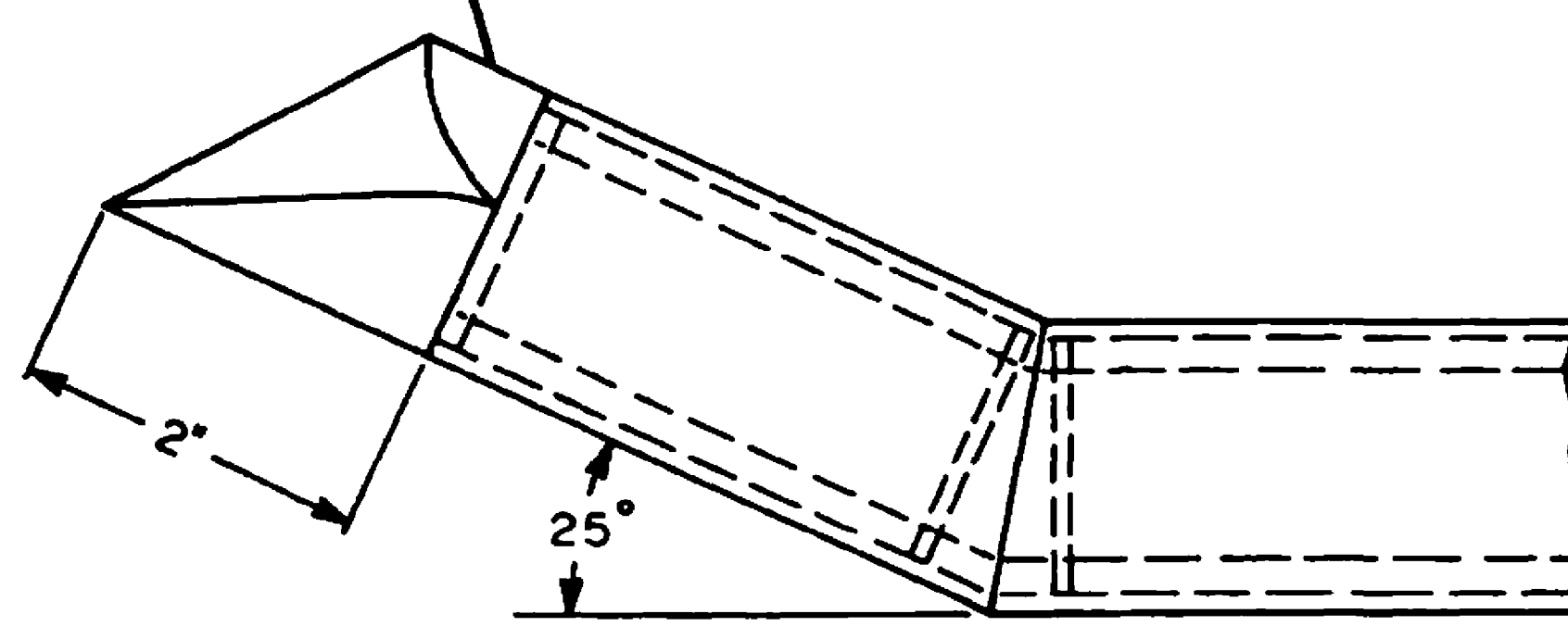


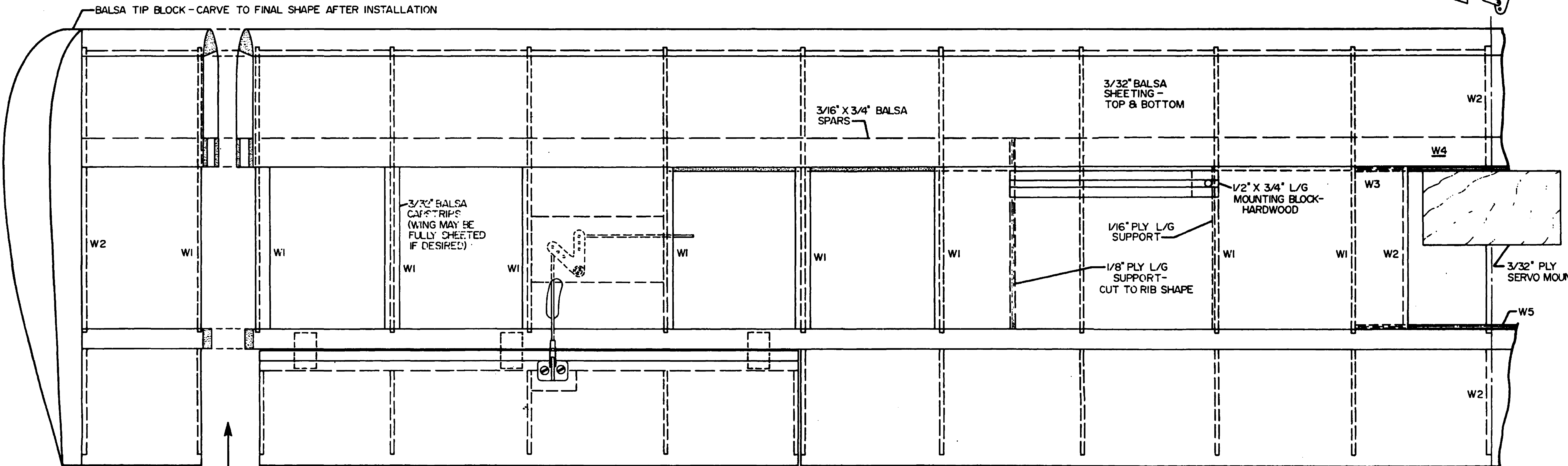
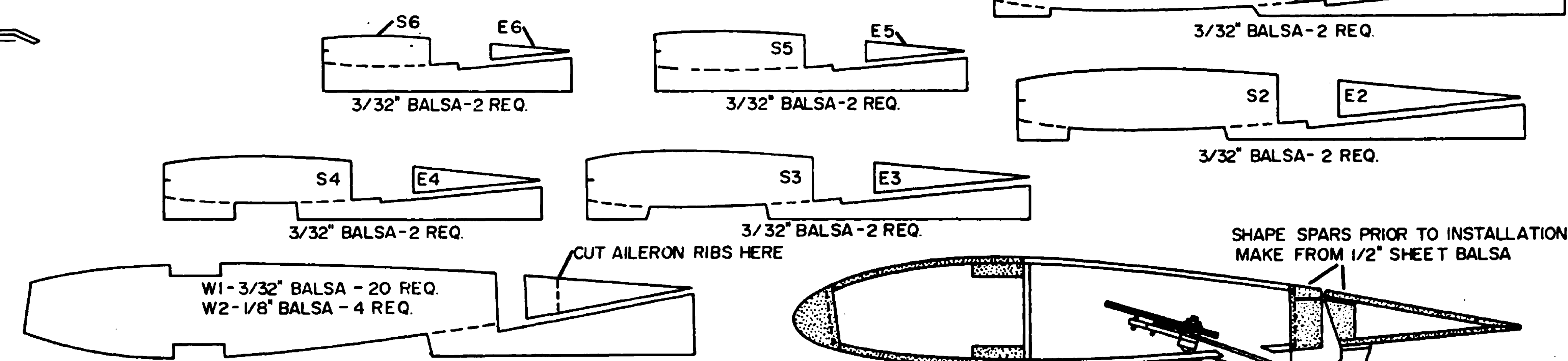
1/8" Balsa Tips - Sand to Shape

NOTE - TIP SHAPE CHANGED TO REDUCE WATER LOOP TENDENCY

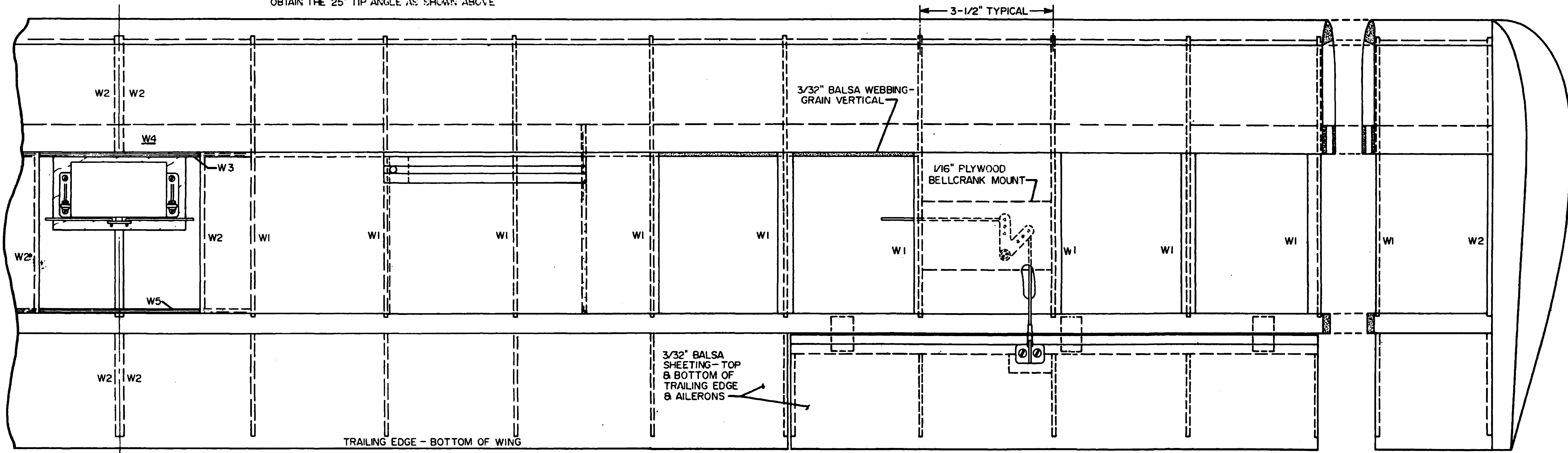
1" DIHEDRAL



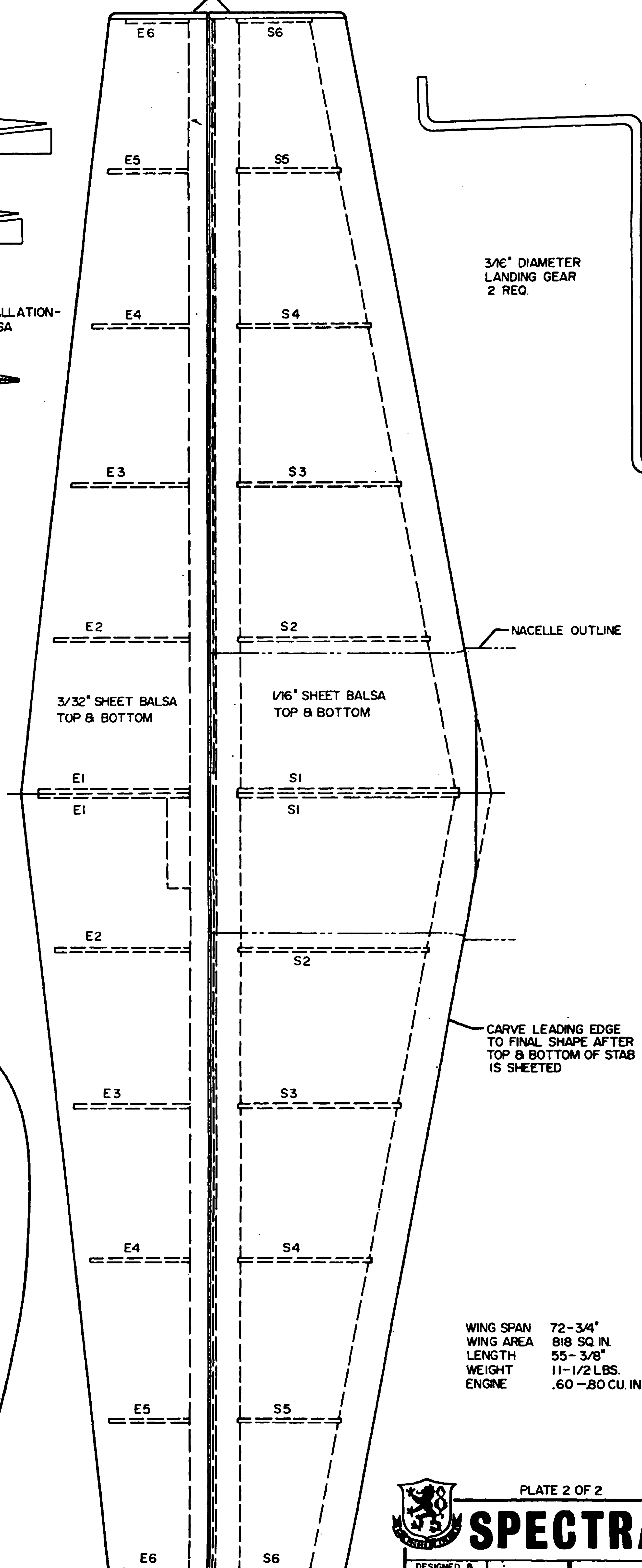
W5	3/32" PLY DIHEDRAL BRACE
W3	3/32" PLY DIHEDRAL BRACE
W4	3/4" Balsa MAIN SPAR CENTER SPLICE



BUILD WING & TIP AS ONE PIECE USING 3/16" STOCK CUT AT POINTS SHOWN AND BLOCK SAND TO OBTAIN THE 25° TIP ANGLE AS SHOWN ABOVE



WING IS BUILT UPSIDE DOWN IN TWO HALVES



WING SPAN 72-3/4"
WING AREA 818 SQ. IN.
LENGTH 55-3/8"
WEIGHT 11-1/2 LBS.
ENGINE .60-80 CU. IN.