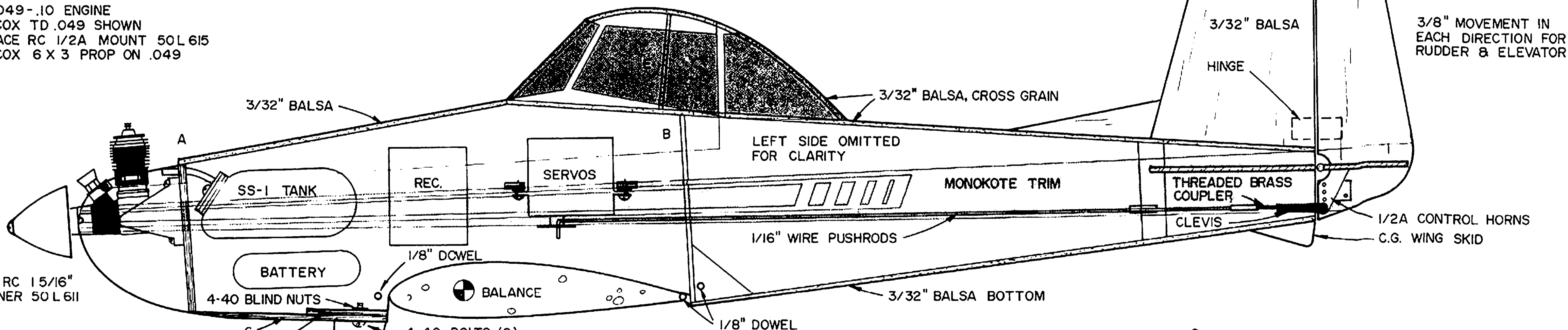


.049-.10 ENGINE
COX TD .049 SHOWN
ACE RC 1/2A MOUNT 50L615
COX 6 X 3 PROP ON .049



ACE RC 15/16" SPINNER 50L611

4-40 NUT

4-40 NUT

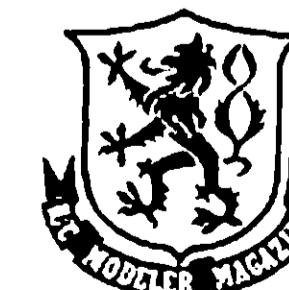
1" X 4-40 BOLT

- 4-40 BLIND NUTS
- 4-40 BOLTS (2)
- ACE RC LANDING GEAR 25L84
- ACE RC 1 1/2" WHEELS 50L602

ACE RC TAPERED MINI FOAM WING 50K101
EPOXY WING HALVES TOGETHER
DIHEDRAL - 8" UNDER ONE WING TIP (RUDDER CONTROL)
3" UNDER ONE WING TIP (AILERON CONTROL)

ACE RC SIMPLE SERIES HARDWARE PACK 37E30 INCLUDES ALL ACE RC PARTS (EXCEPT WING) AND OTHER HARDWARE NEEDED AT A SPECIAL LOW PRICE

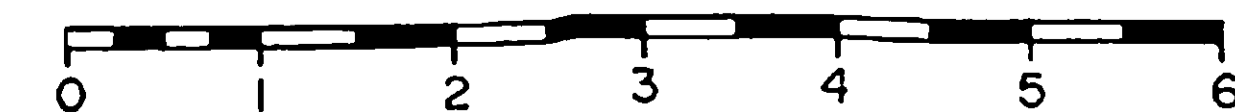
WING SPAN	35"
LENGTH	26"
WING AREA	166 SQ. IN.
ENGINE	.049-.10 CU. IN.
RADIO	2-4 CHANNELS



FROM ALL COMMERCIAL RIGHTS RESERVED

SIMPLE DUSTER

DESIGNED AND DRAWN BY FRED REESE



PLAN NO. 986