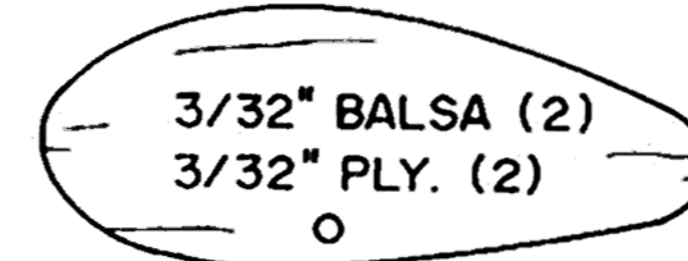
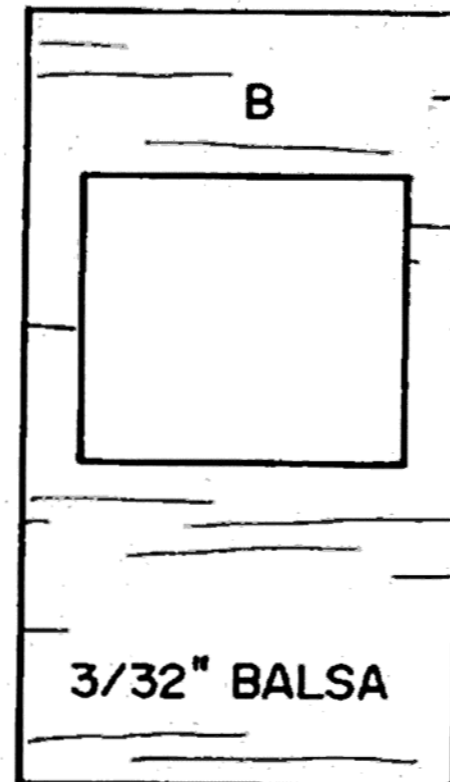
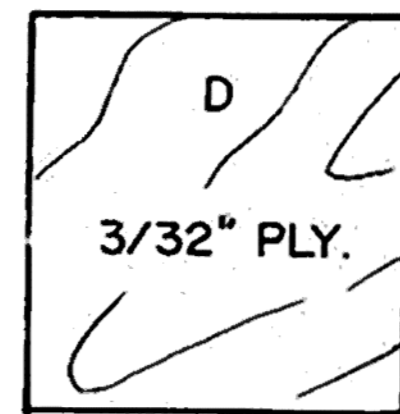
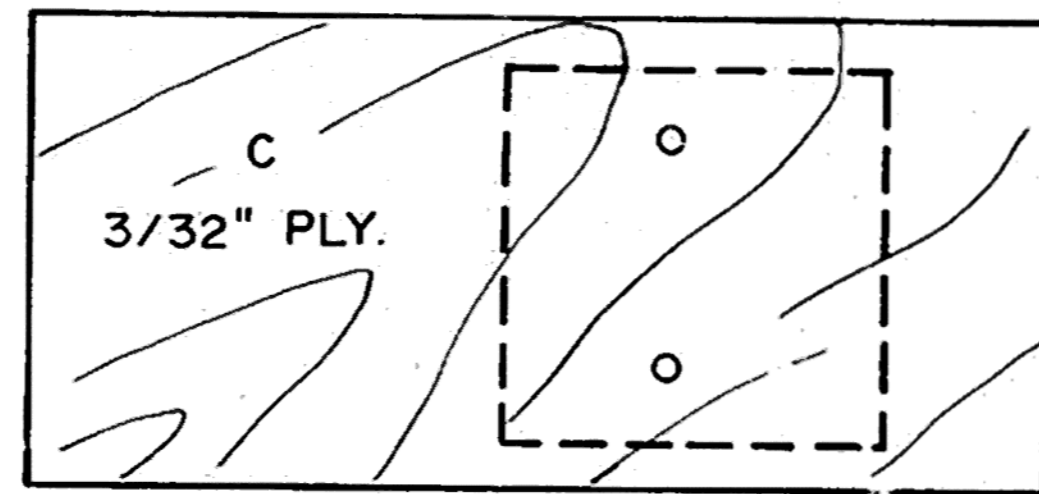
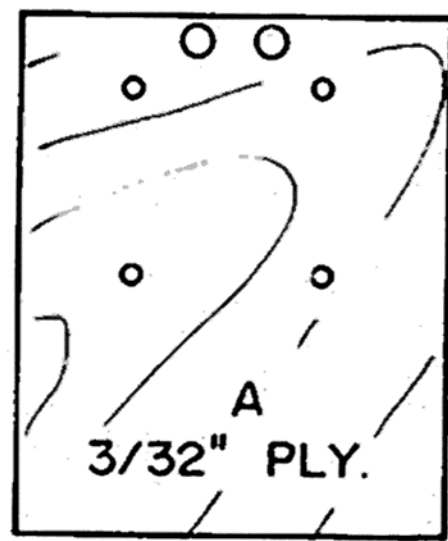
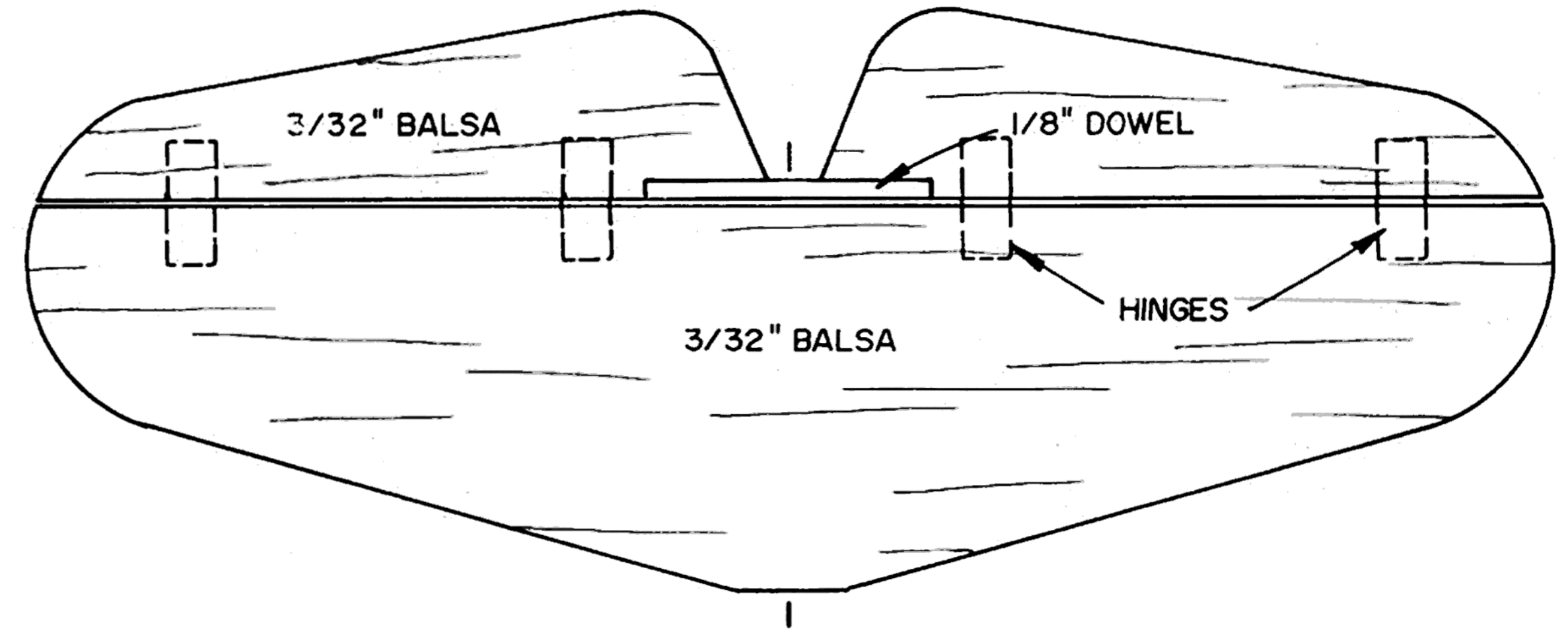
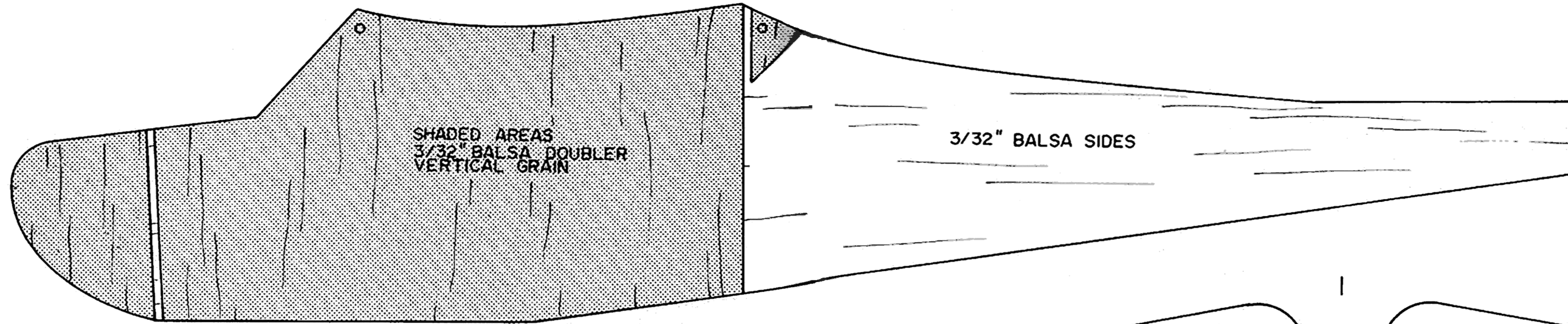
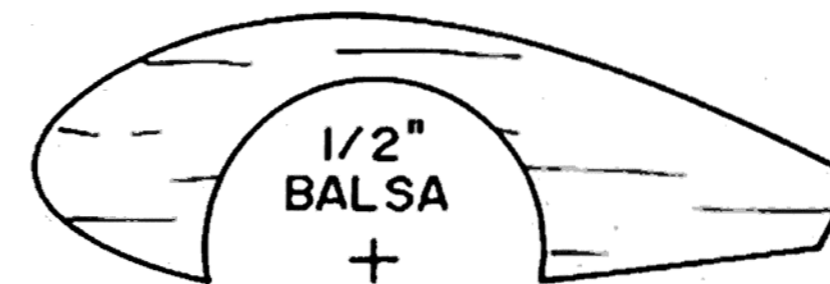


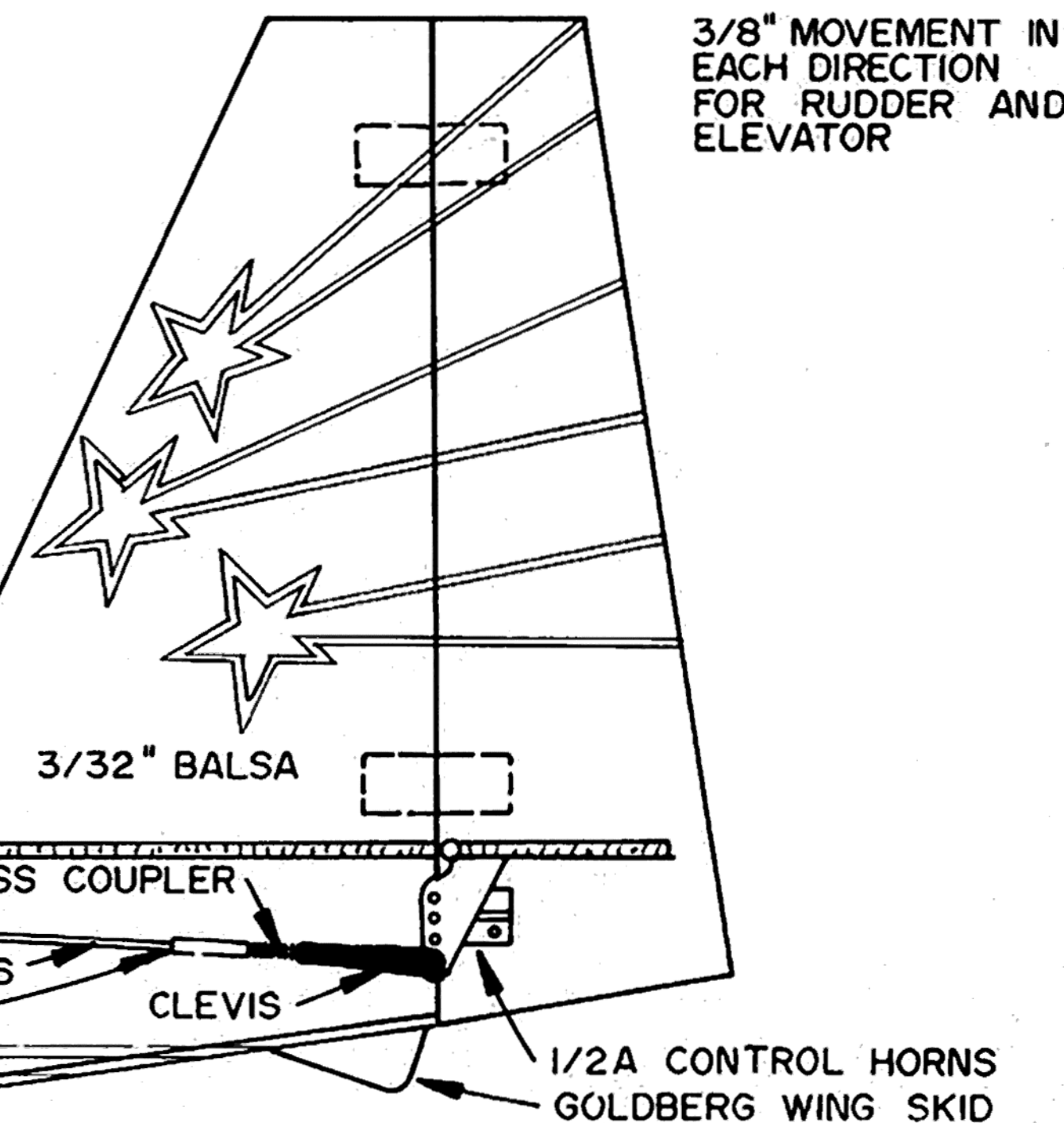
CUT OUT FUSELAGE SIDE TEMPLATE



WHEEL PANT SIDES



WHEEL PANT CENTERS

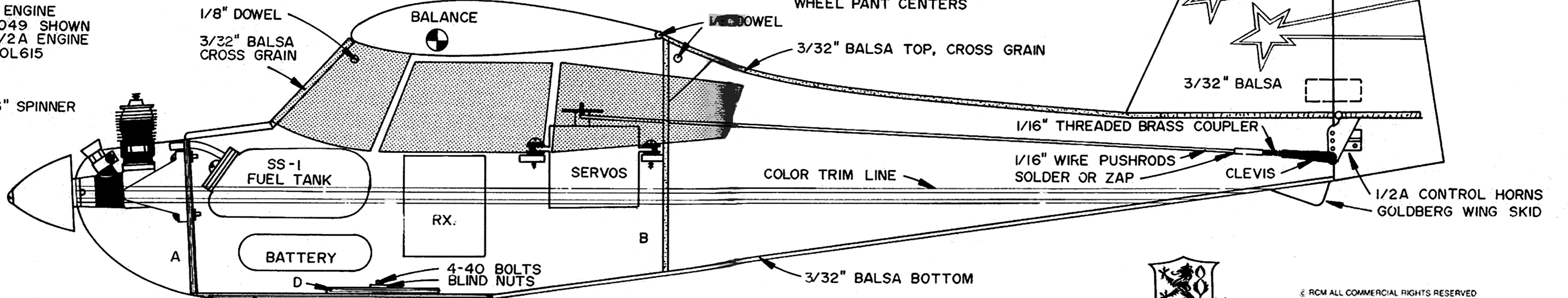


3/8" MOVEMENT IN EACH DIRECTION FOR RUDDER AND ELEVATOR

EPOXY WING HALVES TOGETHER
DIHEDRAL-3-1/2" UNDER ONE WING TIP
ACE CONSTANT CHORD MINI FOAM WING 50K102

.049-.10 ENGINE
COX TD .049 SHOWN
ON ACE 1/2A ENGINE
MOUNT 50L615

ACE 1 5/16" SPINNER
50L611



4-40 BLIND NUT

3/32" PLY.
1/2" Balsa
3/32" Balsa

4-40 BOLT 1"

4-40 NUT

1-1/2" ACE WHEELS 50L602



© RCM ALL COMMERCIAL RIGHTS RESERVED

SIMPLE CITABRIA

DESIGNED AND DRAWN BY FRED REESE

WING SPAN	35"
LENGTH	25"
WING AREA	192 SQ. IN.
ENGINE	.049-.10 CU. IN.
RADIO	2-3 CHANNELS

