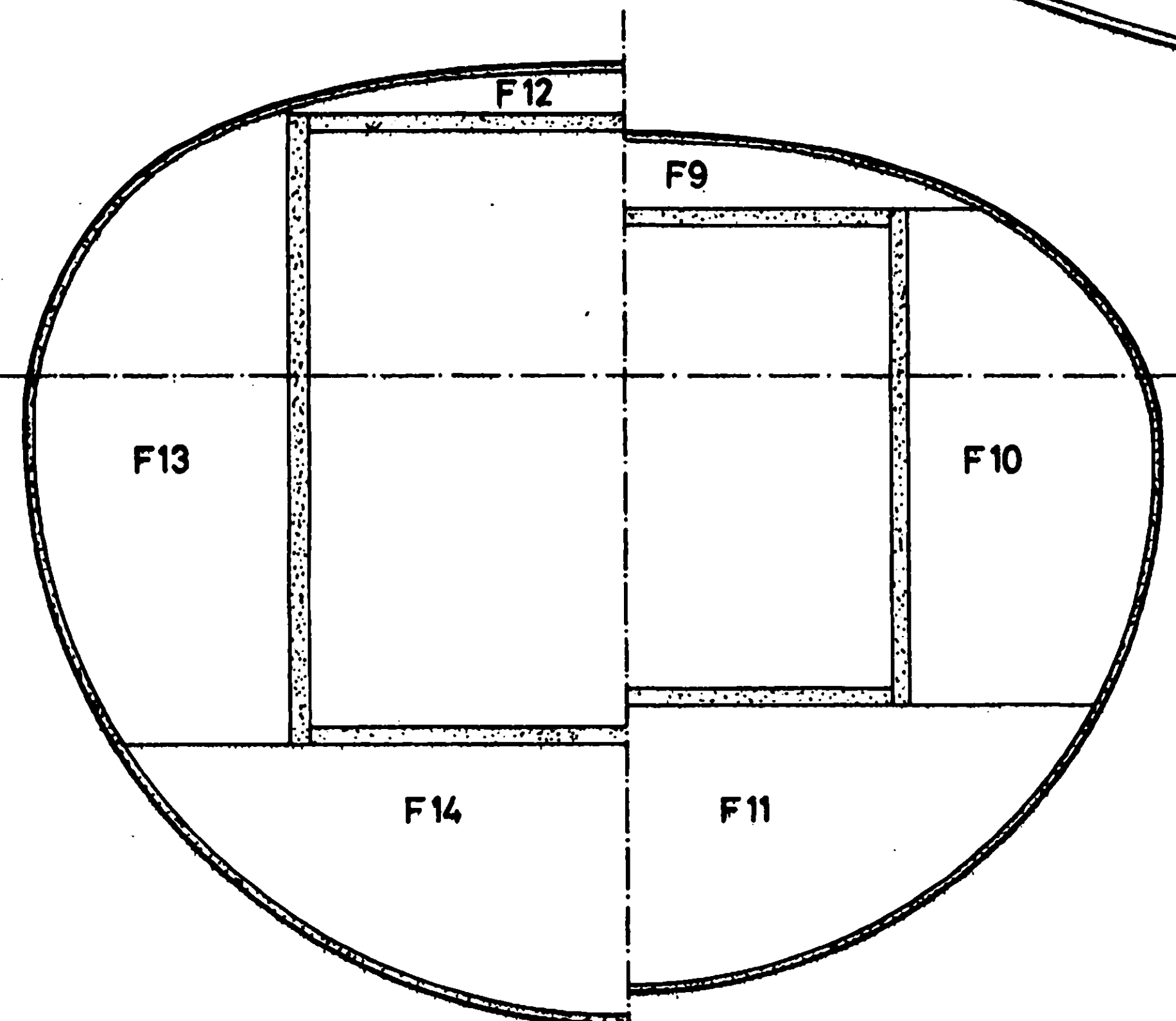
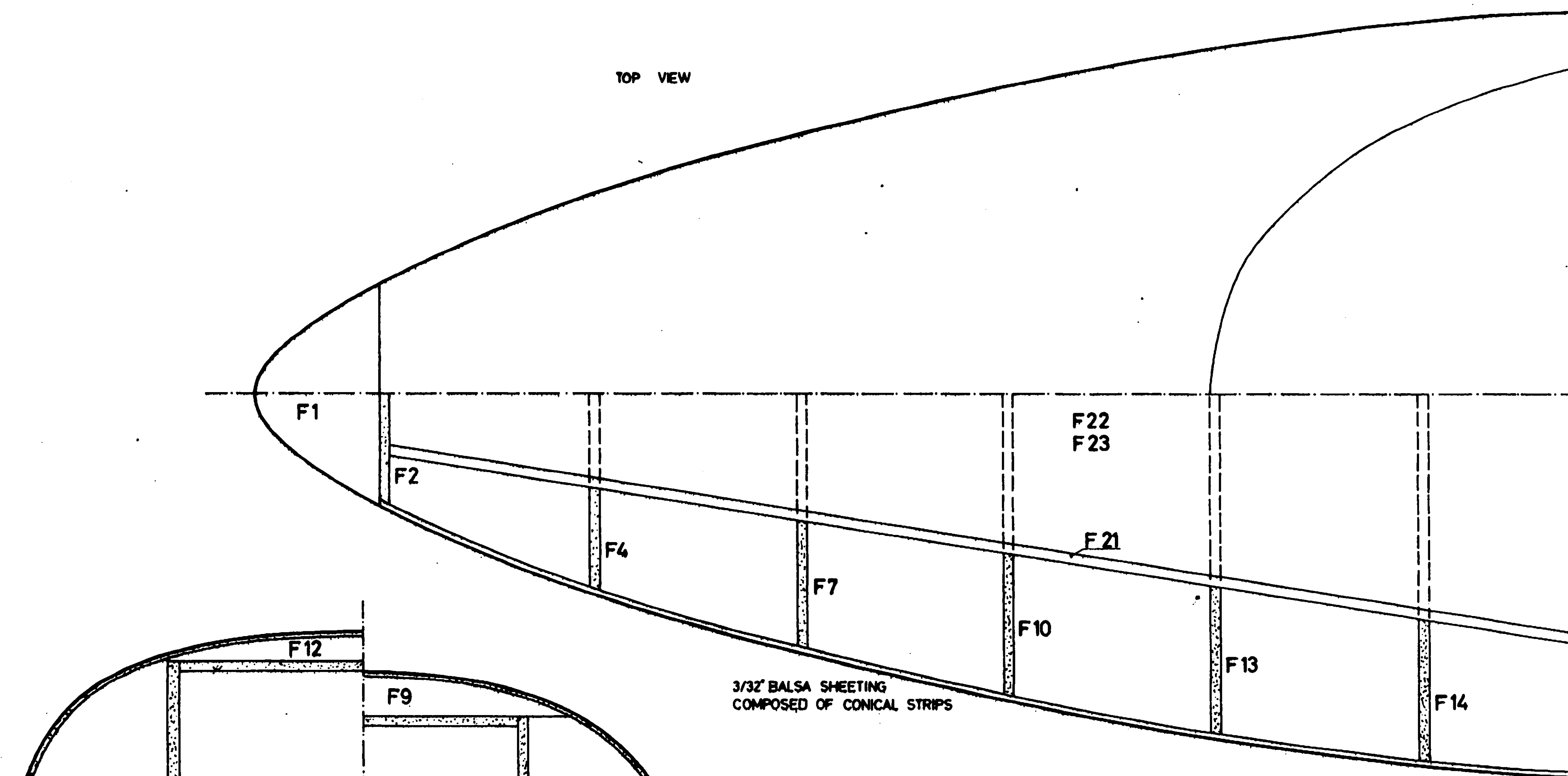
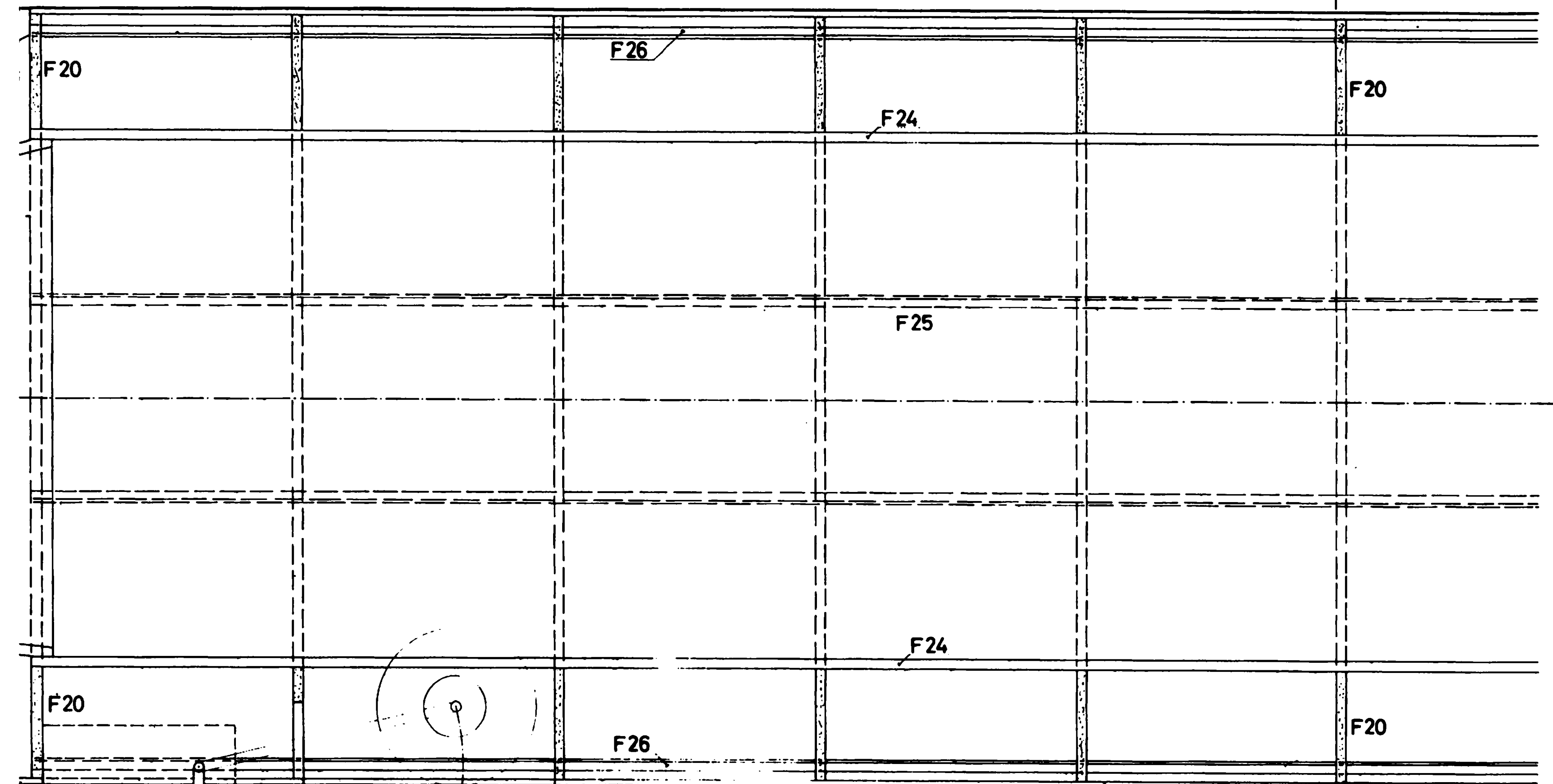
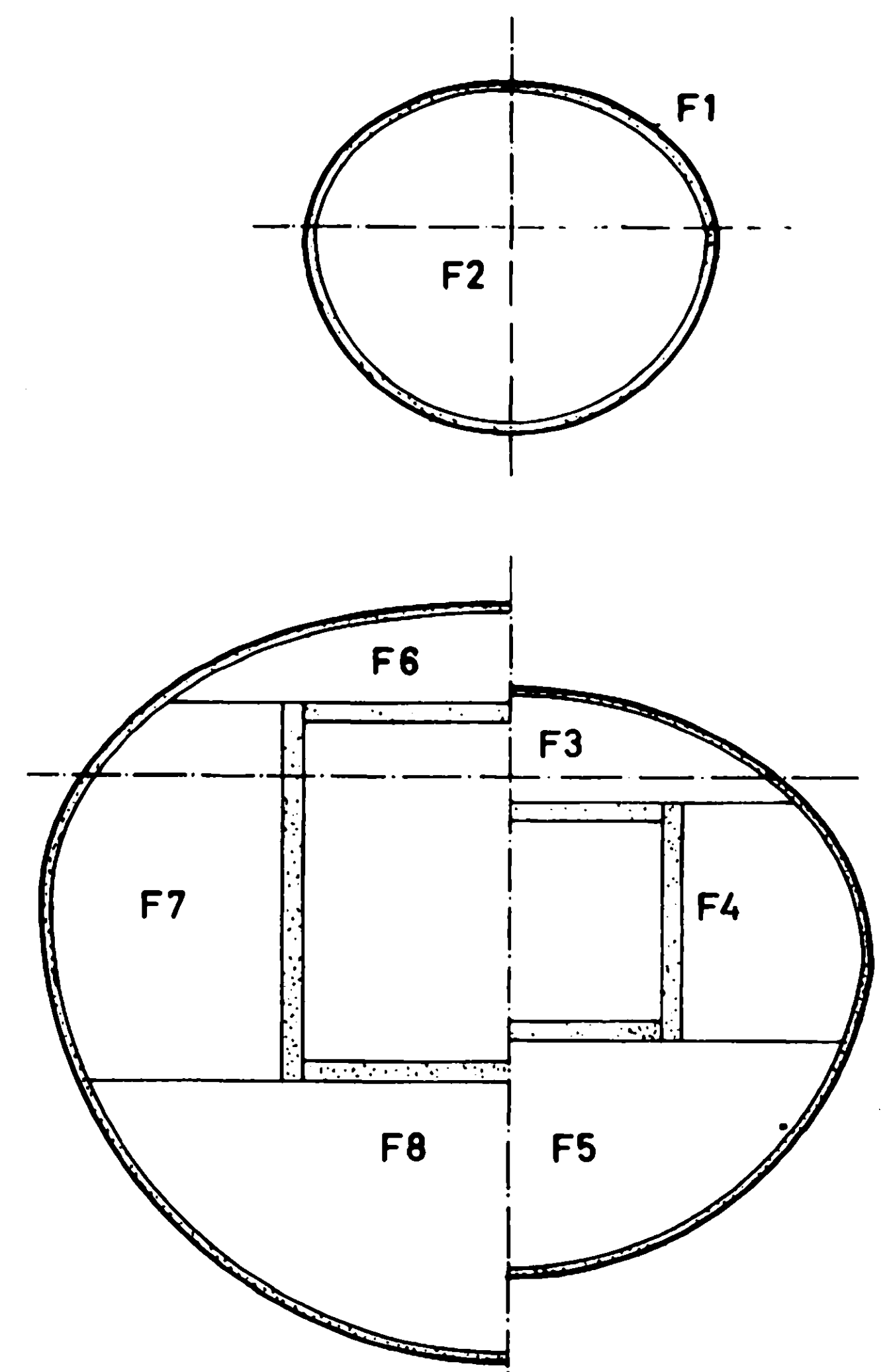
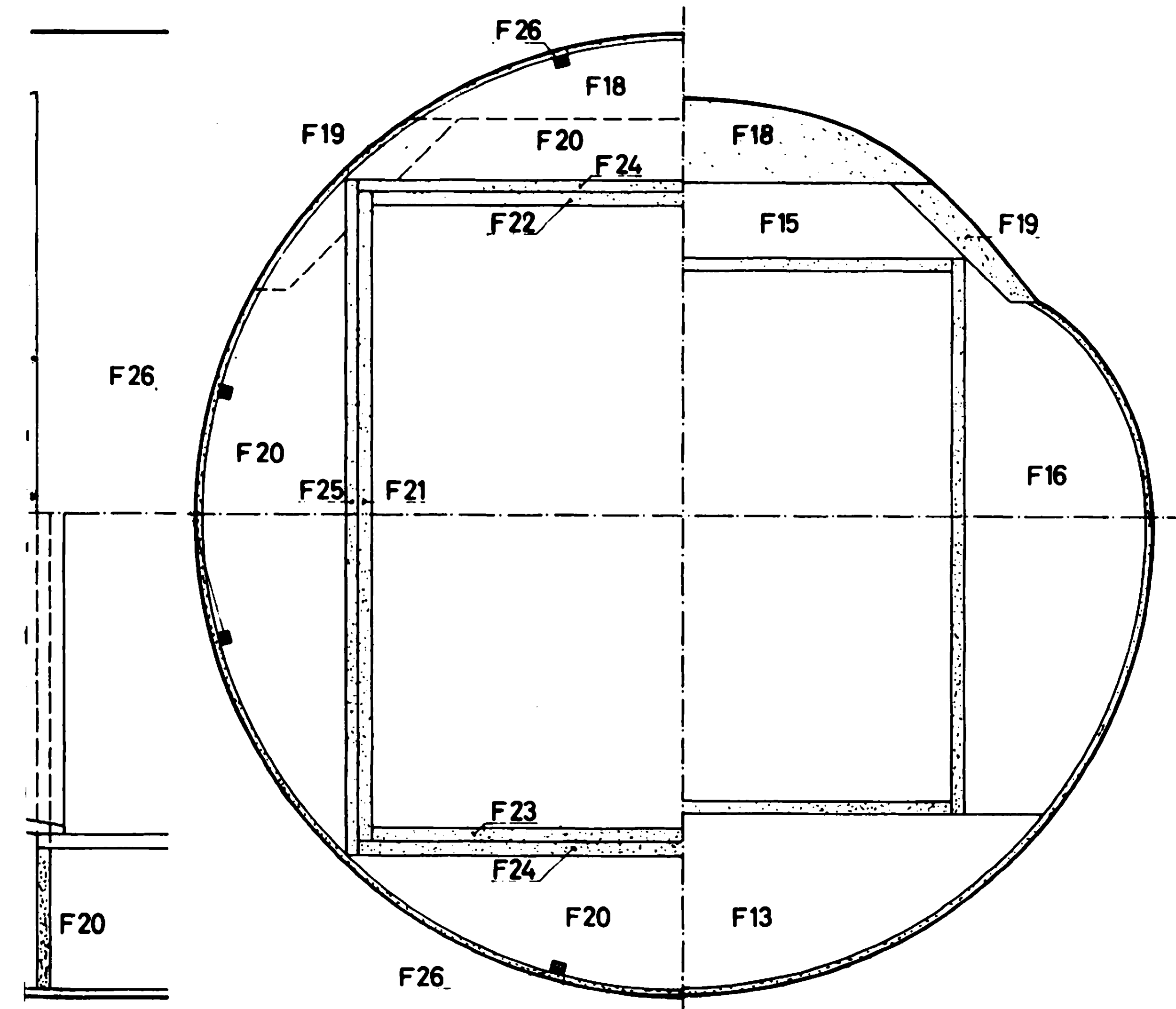
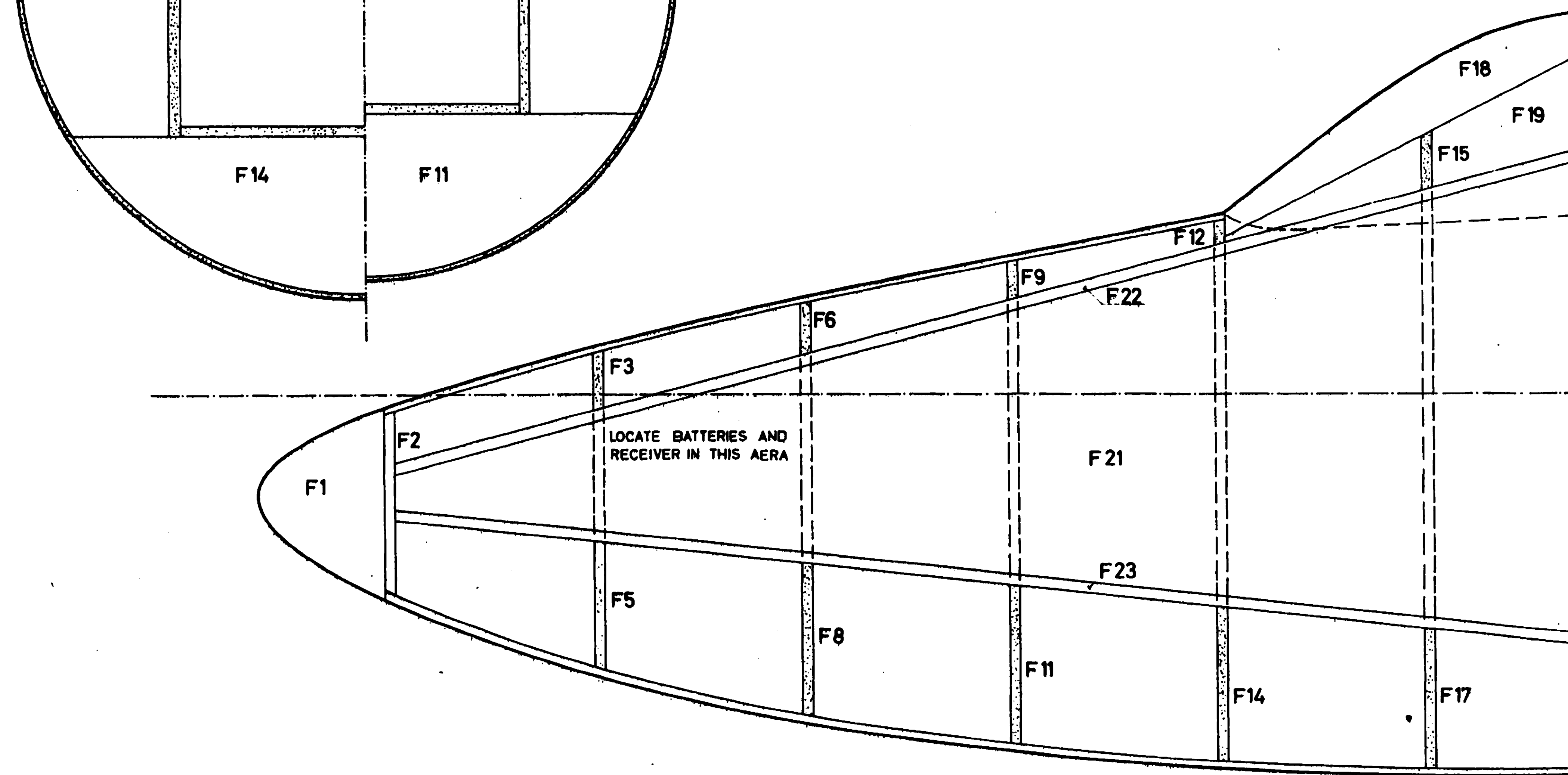


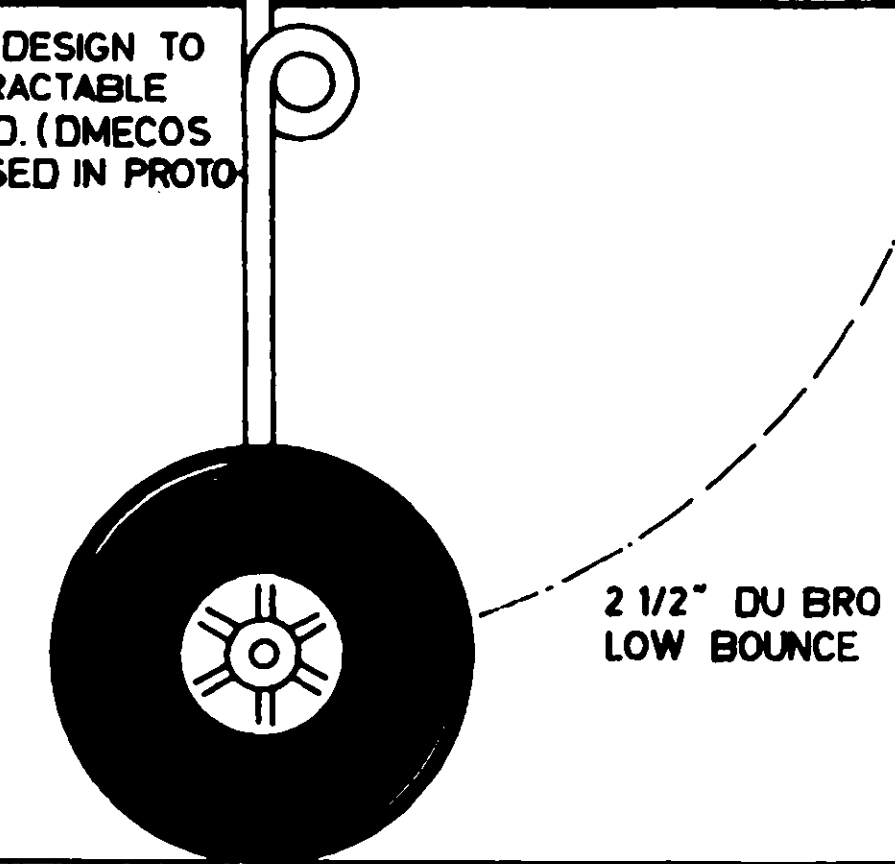
TOP VIEW



LOCATE BATTERIES AND RECEIVER IN THIS AREA

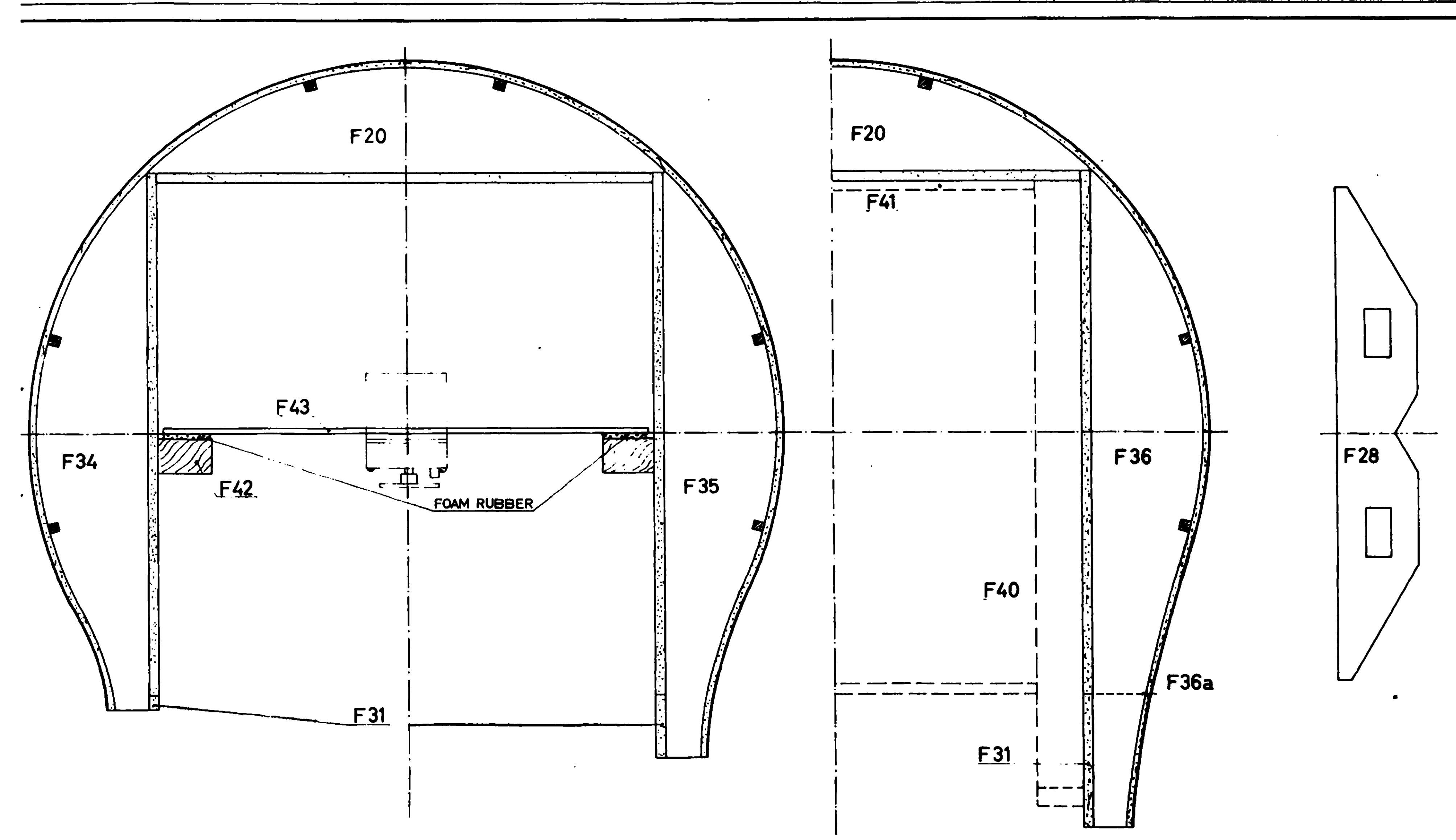
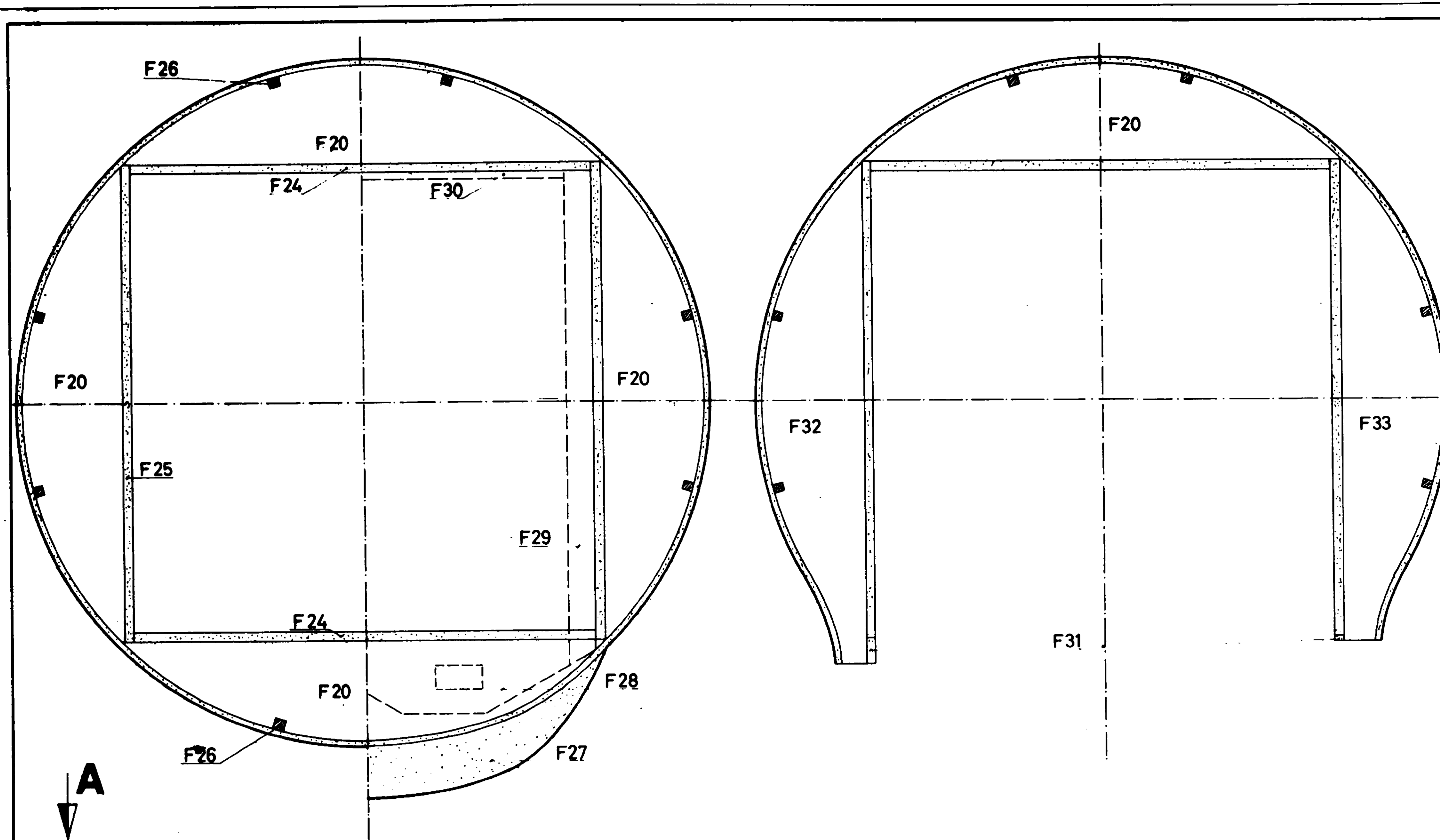


MODIFY DESIGN TO FIT RETRACTABLE LG USED. (DMECOS TYPE USED IN PROTO TYPE)

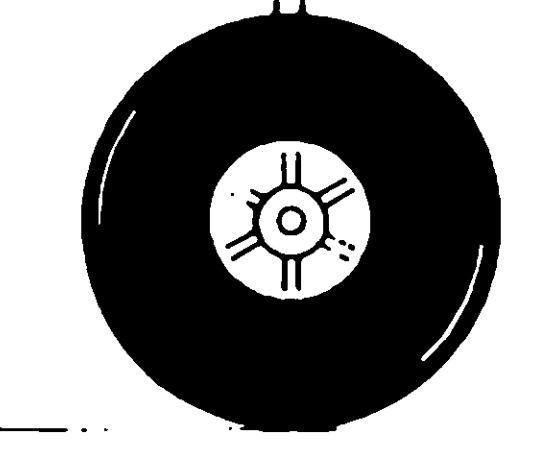
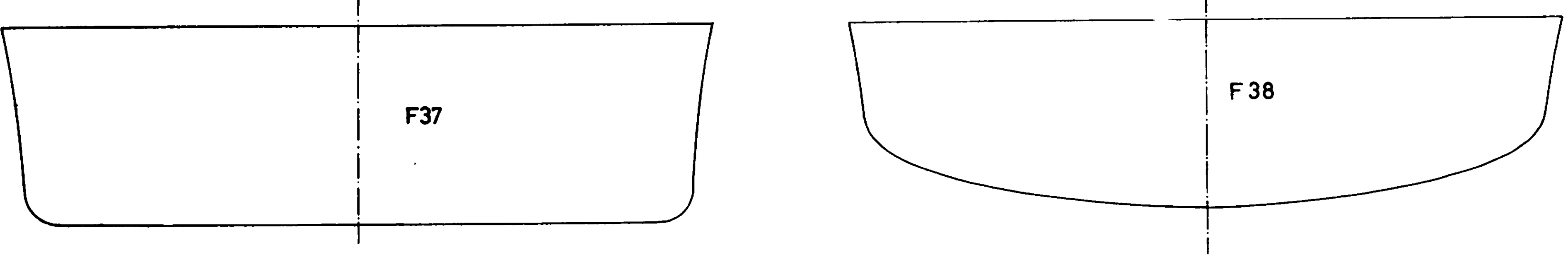
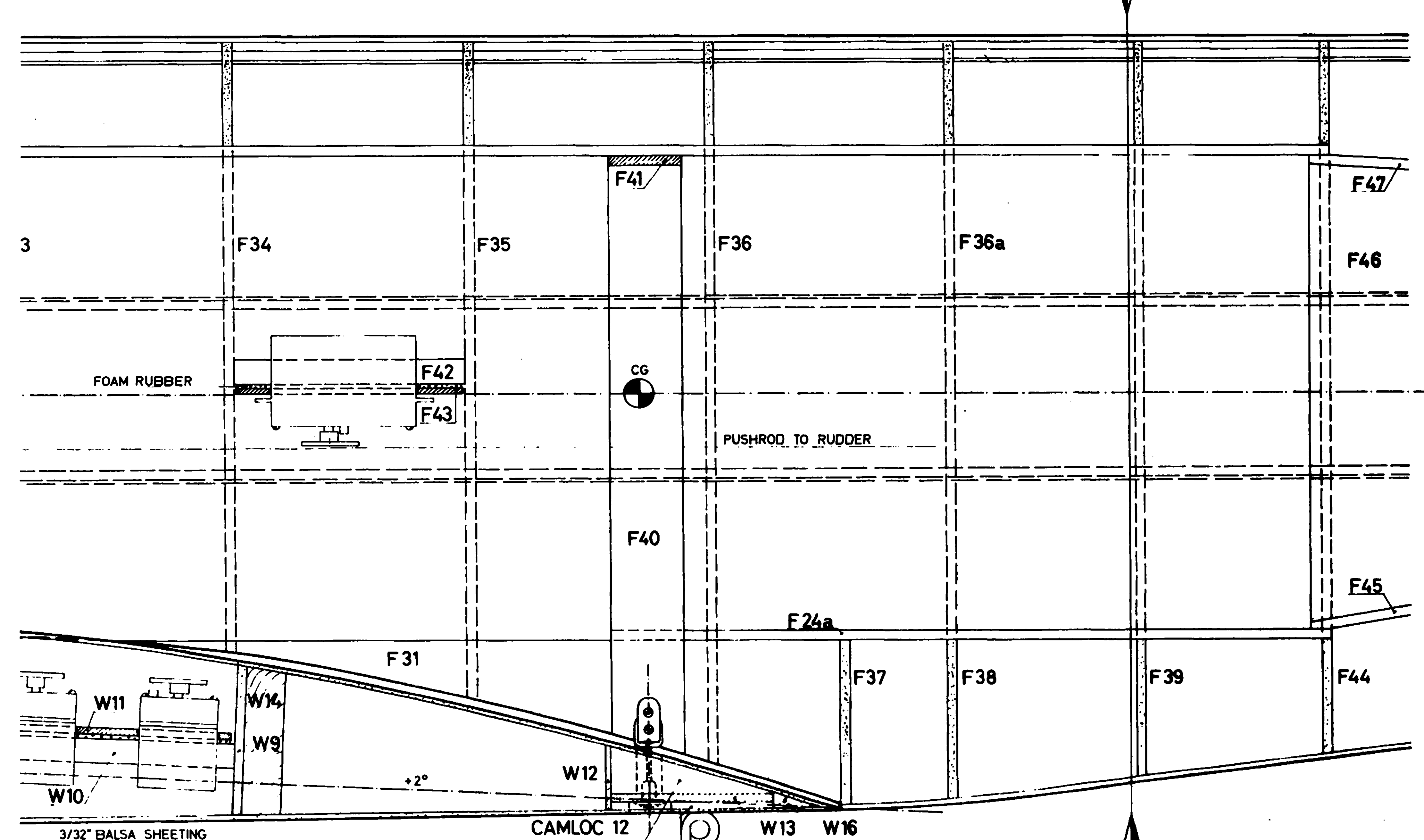
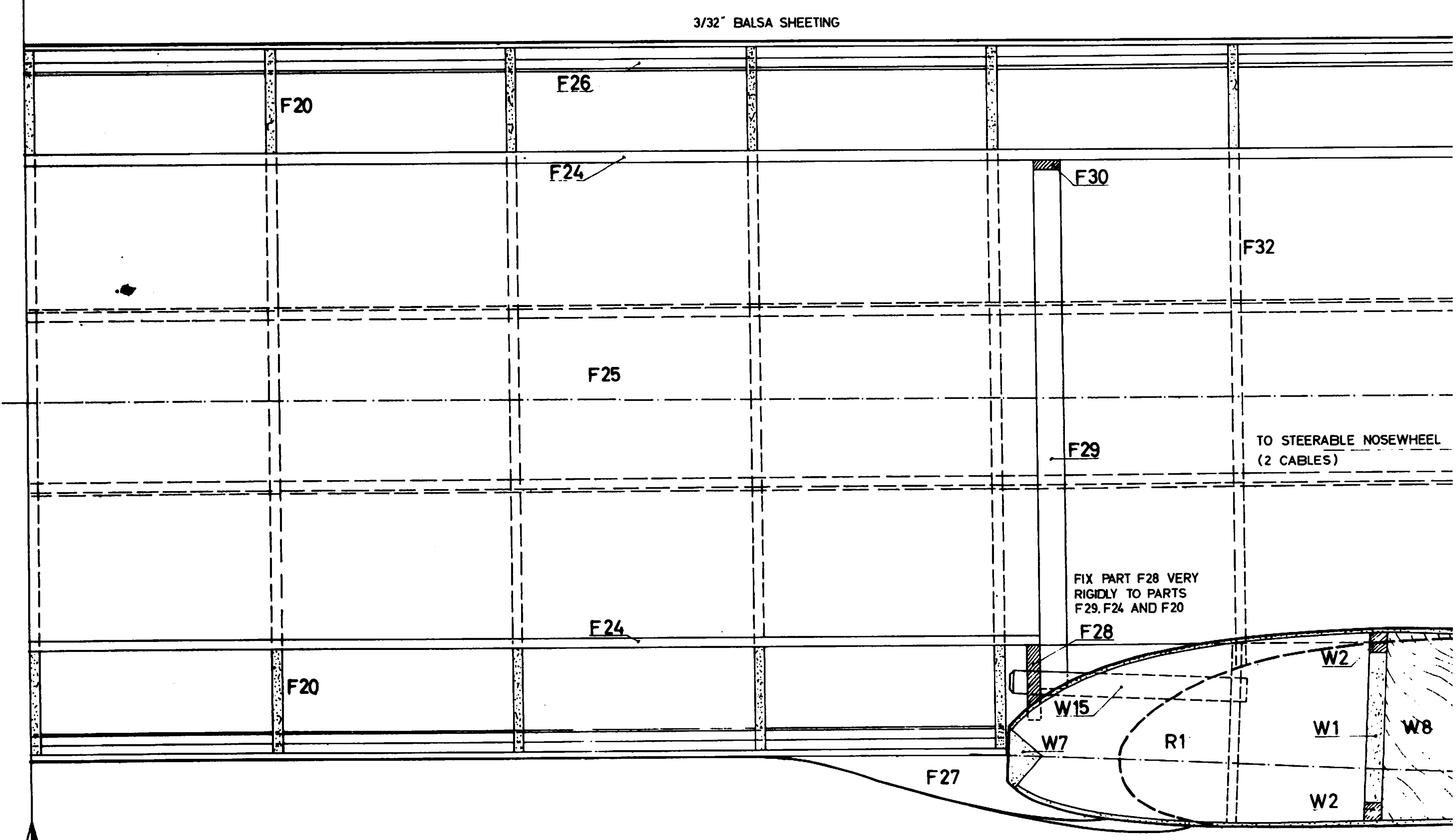


R/C MODELER MAG.

copyright by telaves	Designed by:	Drawn by:	Scale
	TELAVES	B.Huber 21168	1:1
<b>Lear Liner</b>			
TELAVES 8320 Fehraltorf Switzerland			1305/1



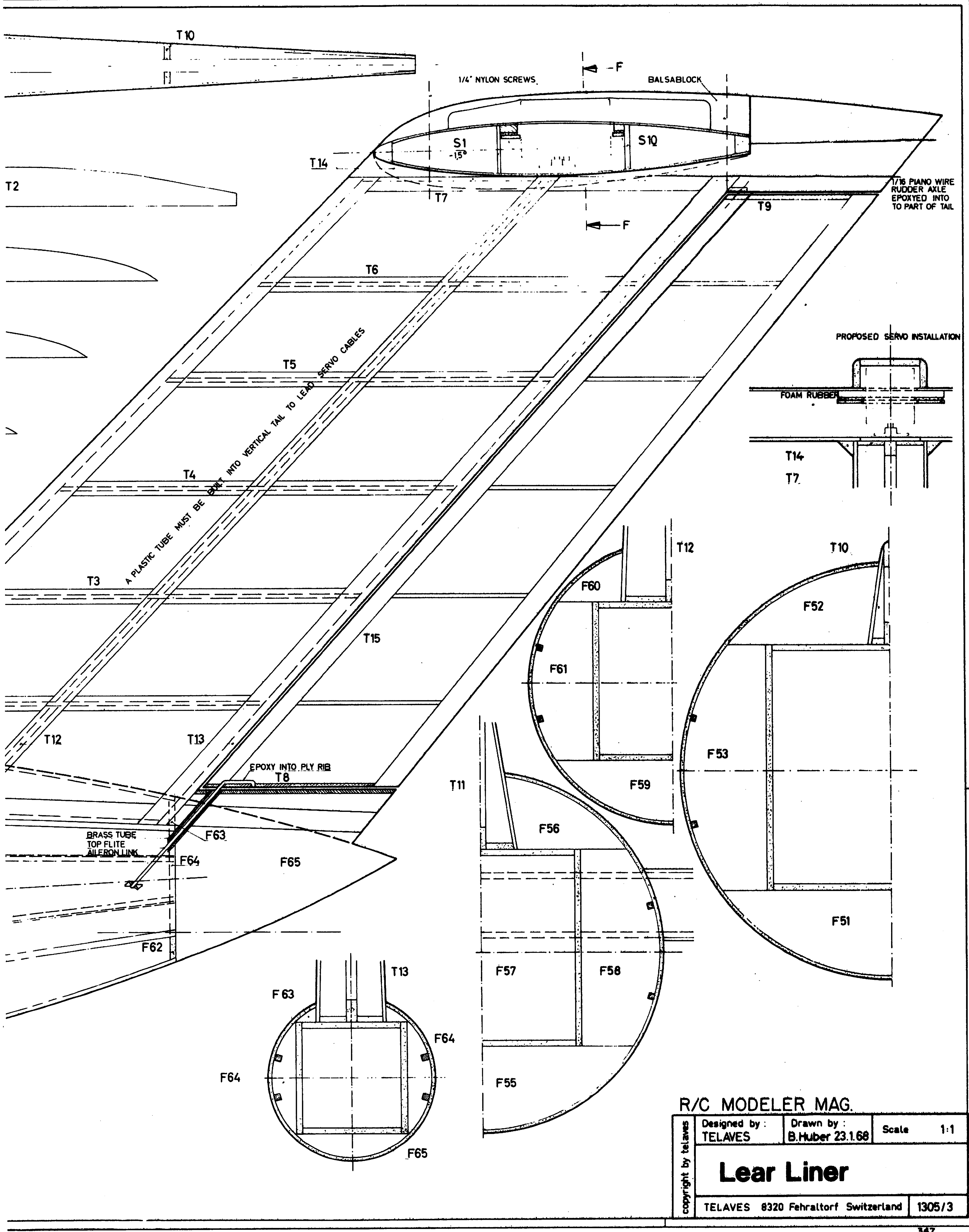
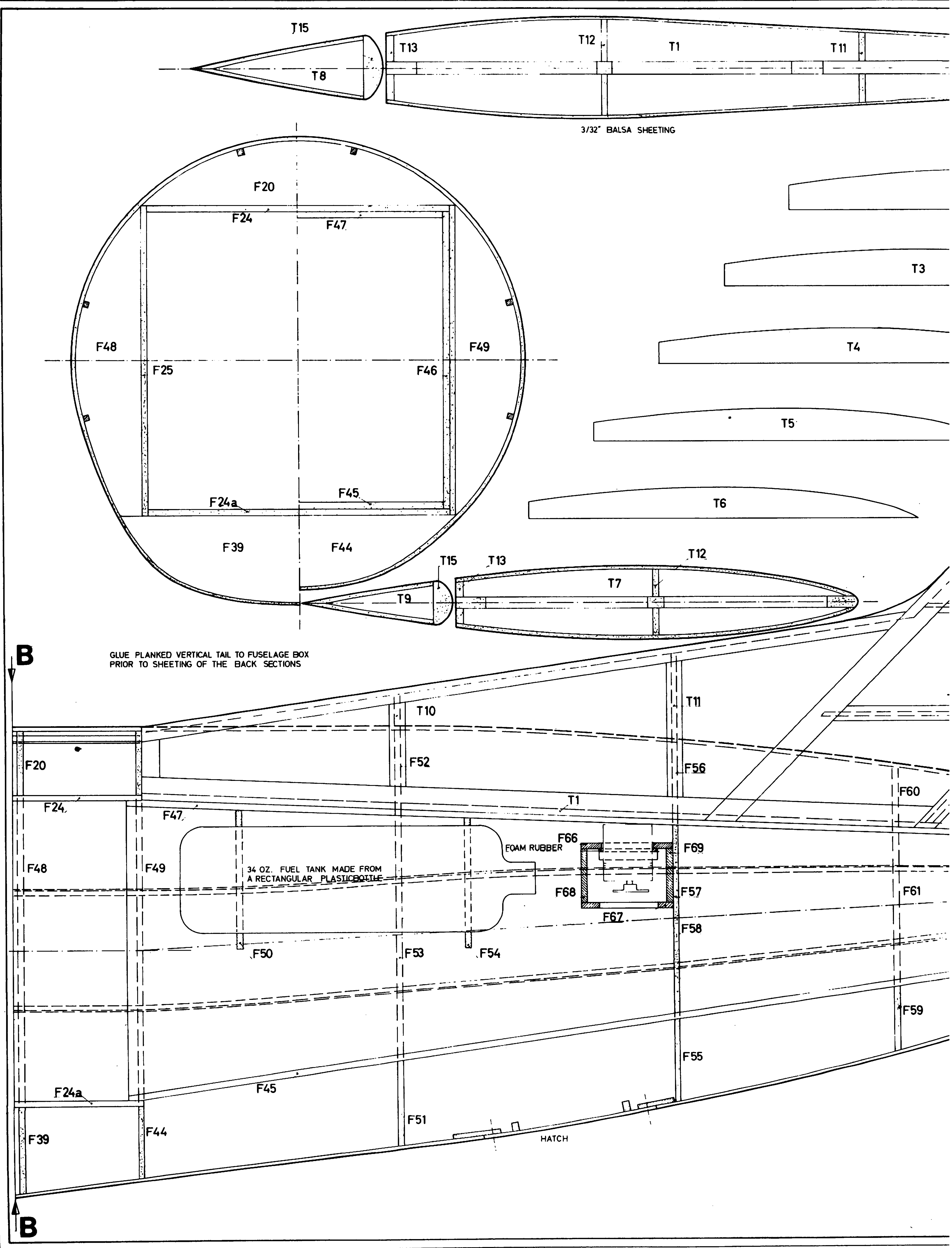
SERVO INSTALLATION WITH ORBIT SERVOS SHOWN



2 1/2" DU BRO  
LOW BOUNCE

R/C MODELER MAG.

copyright by telaves	Designed by : TELAVES	Drawn by : B. Huber 21.68	Scale 1:1
	Lear Liner		
TELAVES 8320 Fehraltorf Switzerland			1305/2



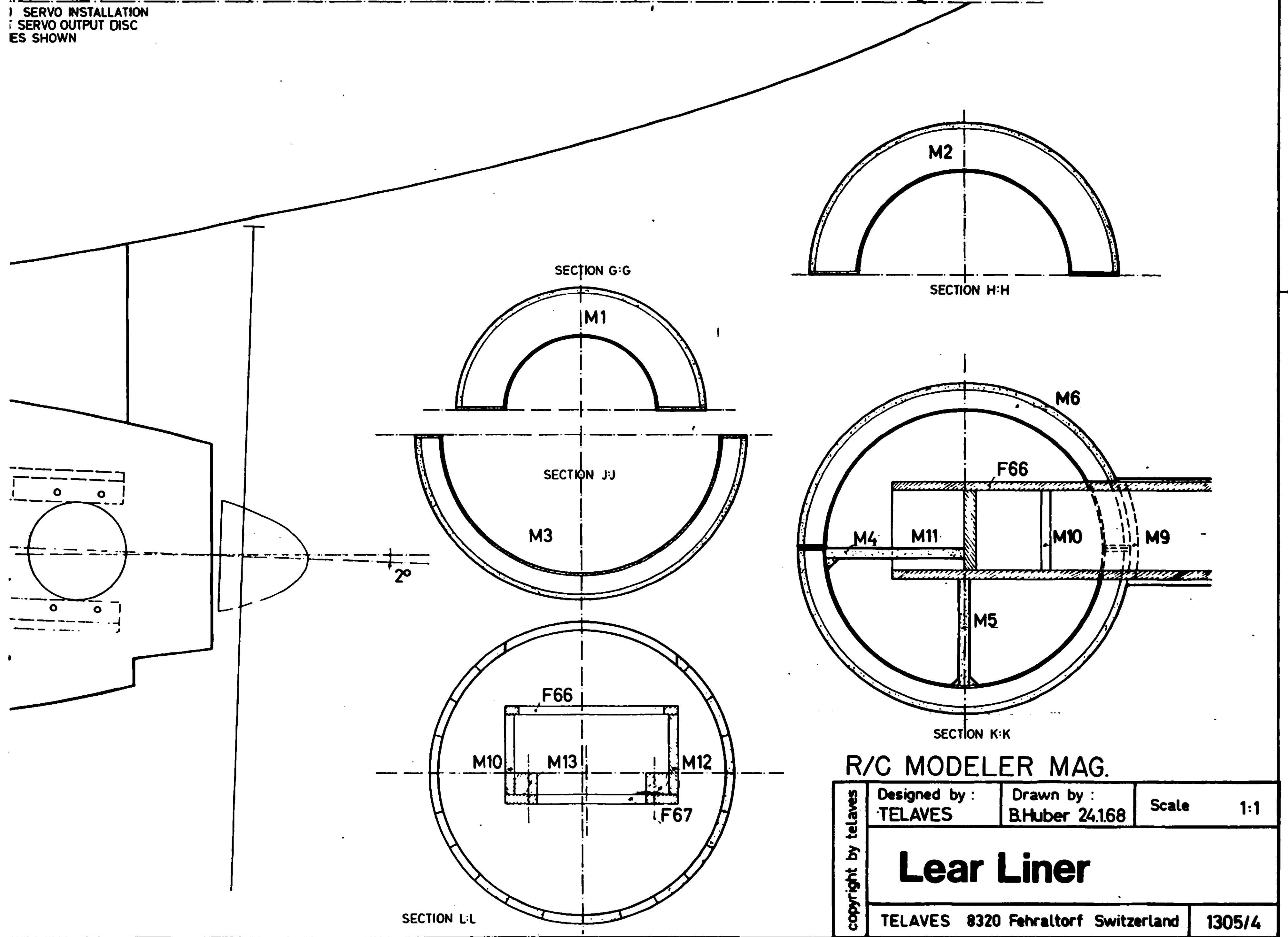
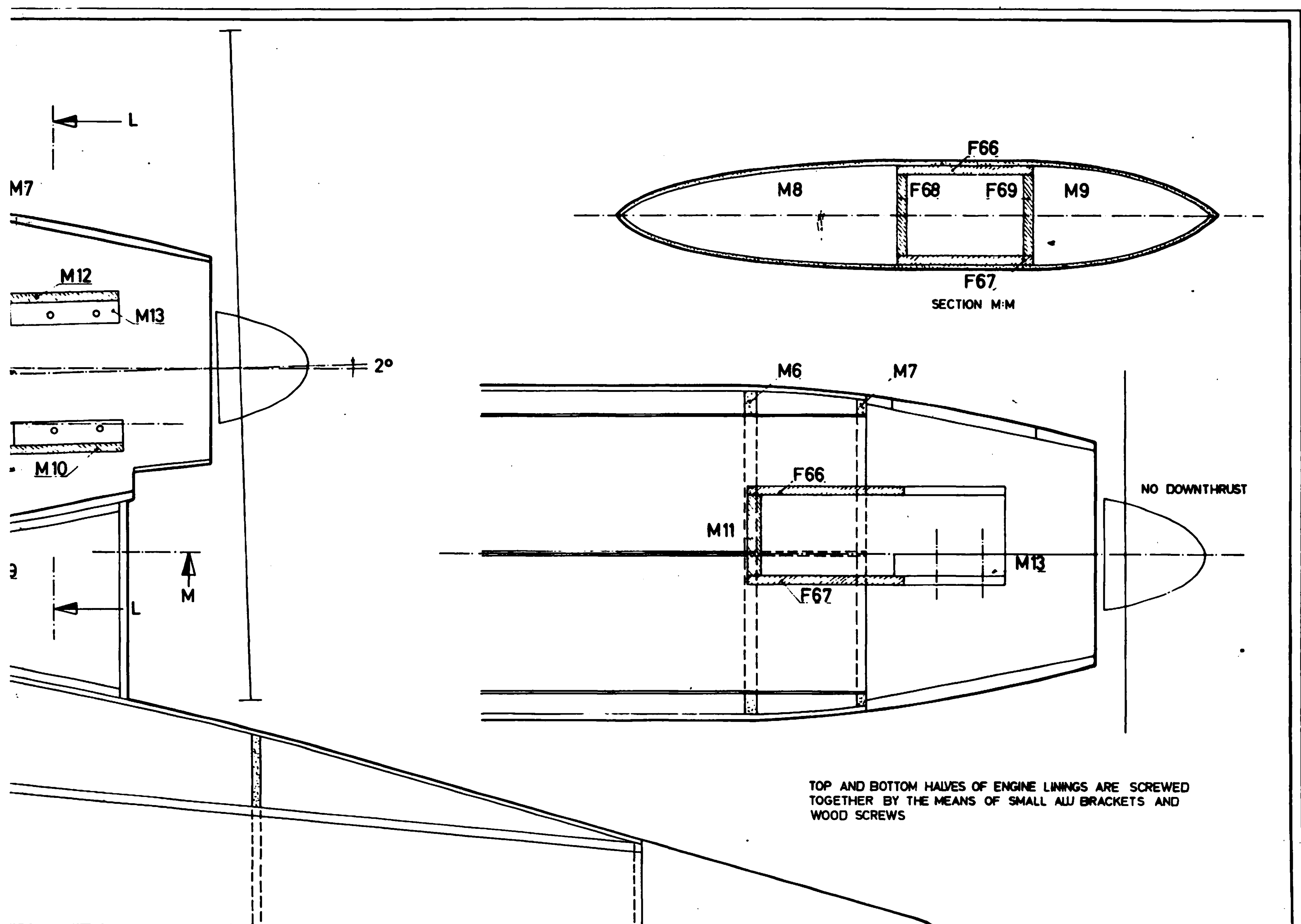
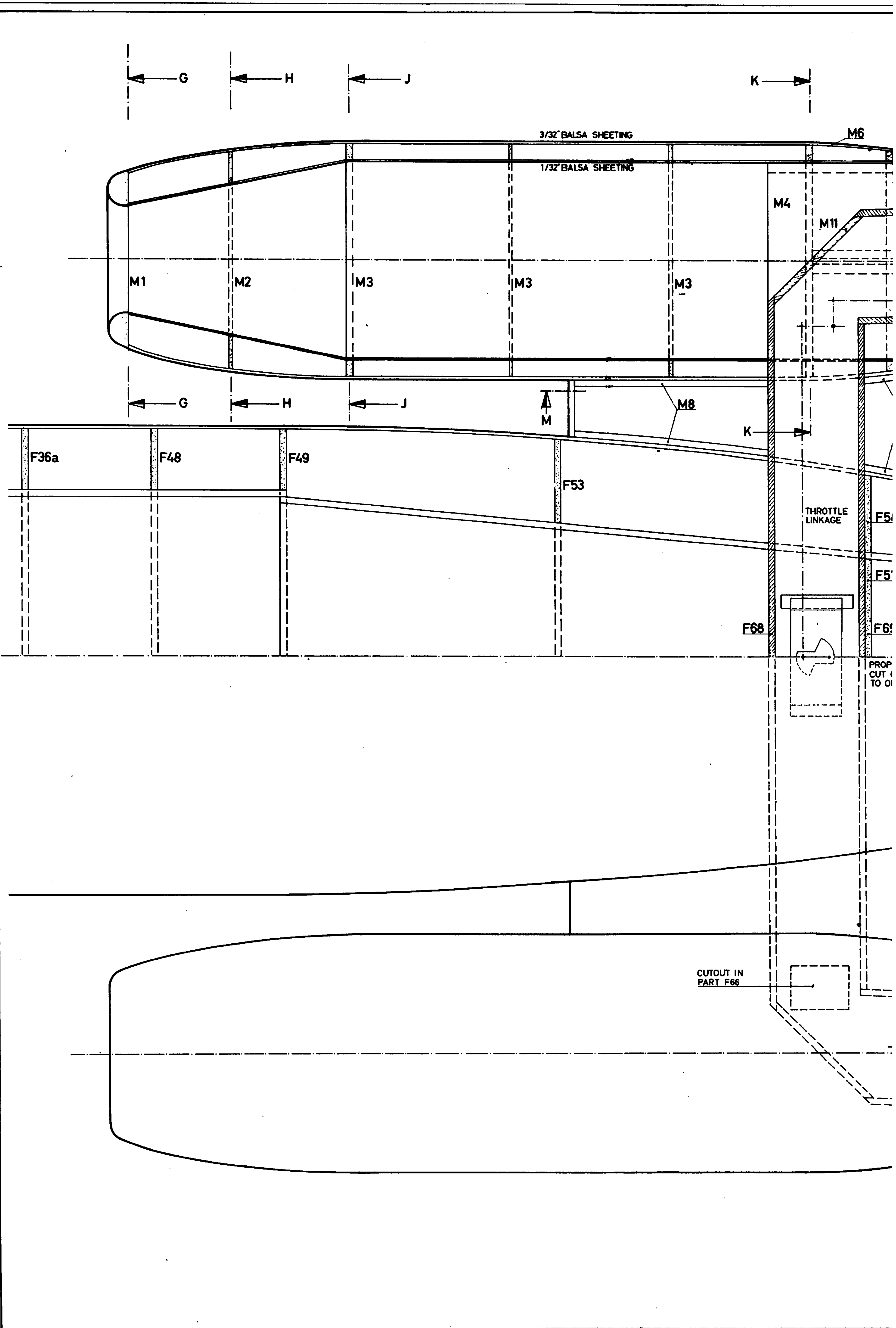
R/C MODELER MAG.

Designed by:	Drawn by:	Scale:
TELAVES	B. Huber 23.1.68	1:1

**Lear Liner**

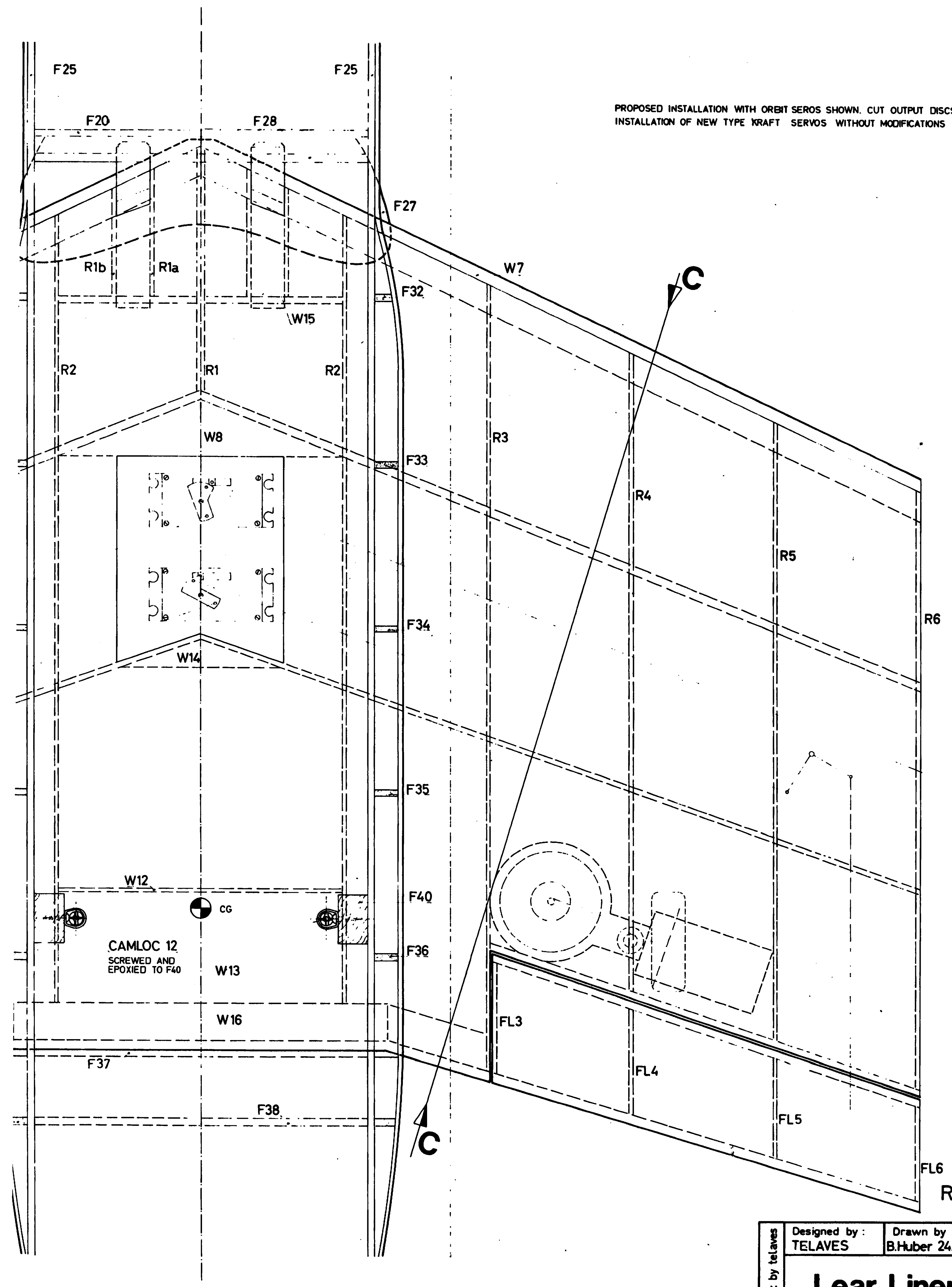
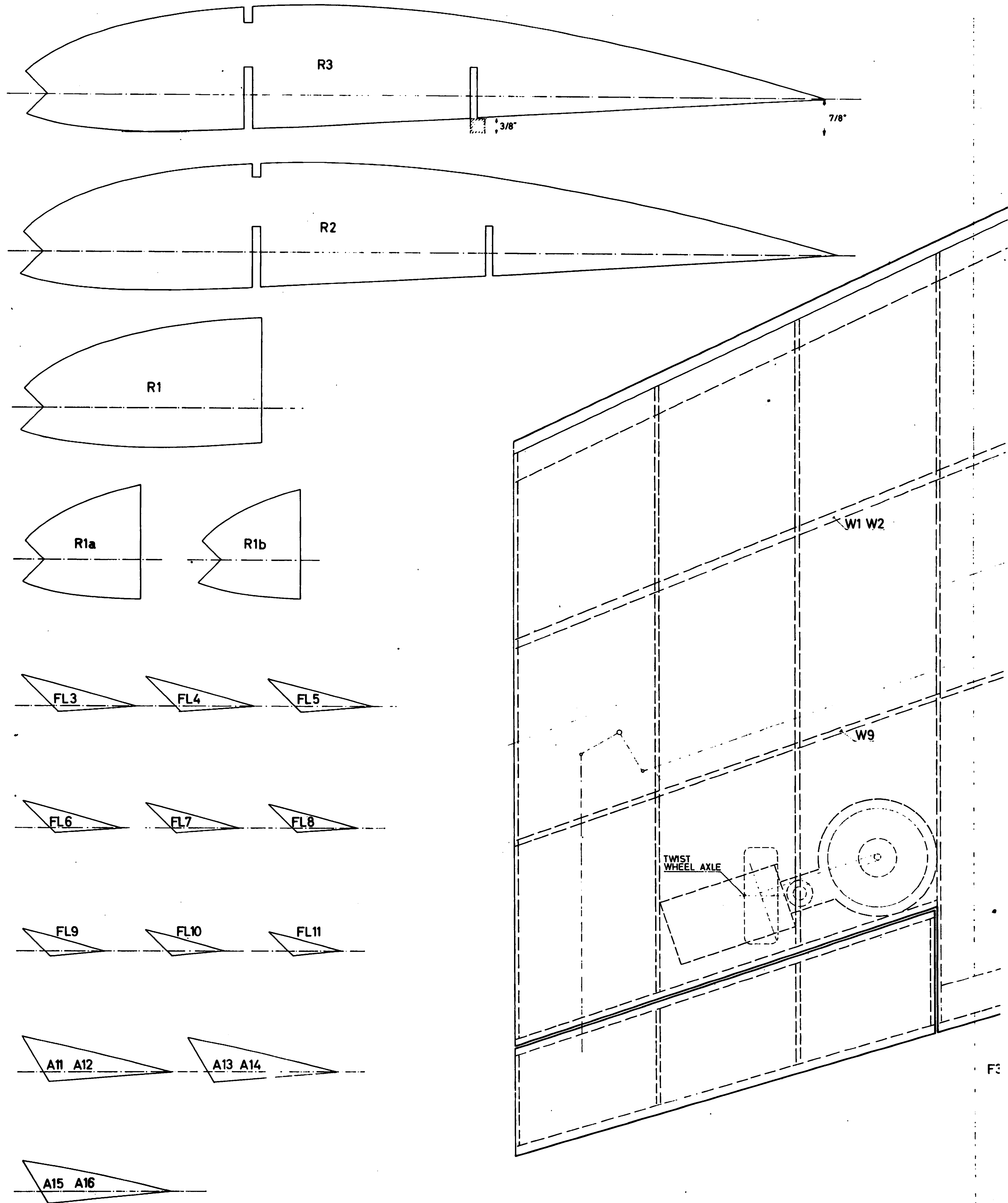
TELAVES 8320 Fehraltorf Switzerland	1305/3
-------------------------------------	--------

copyright by telaves



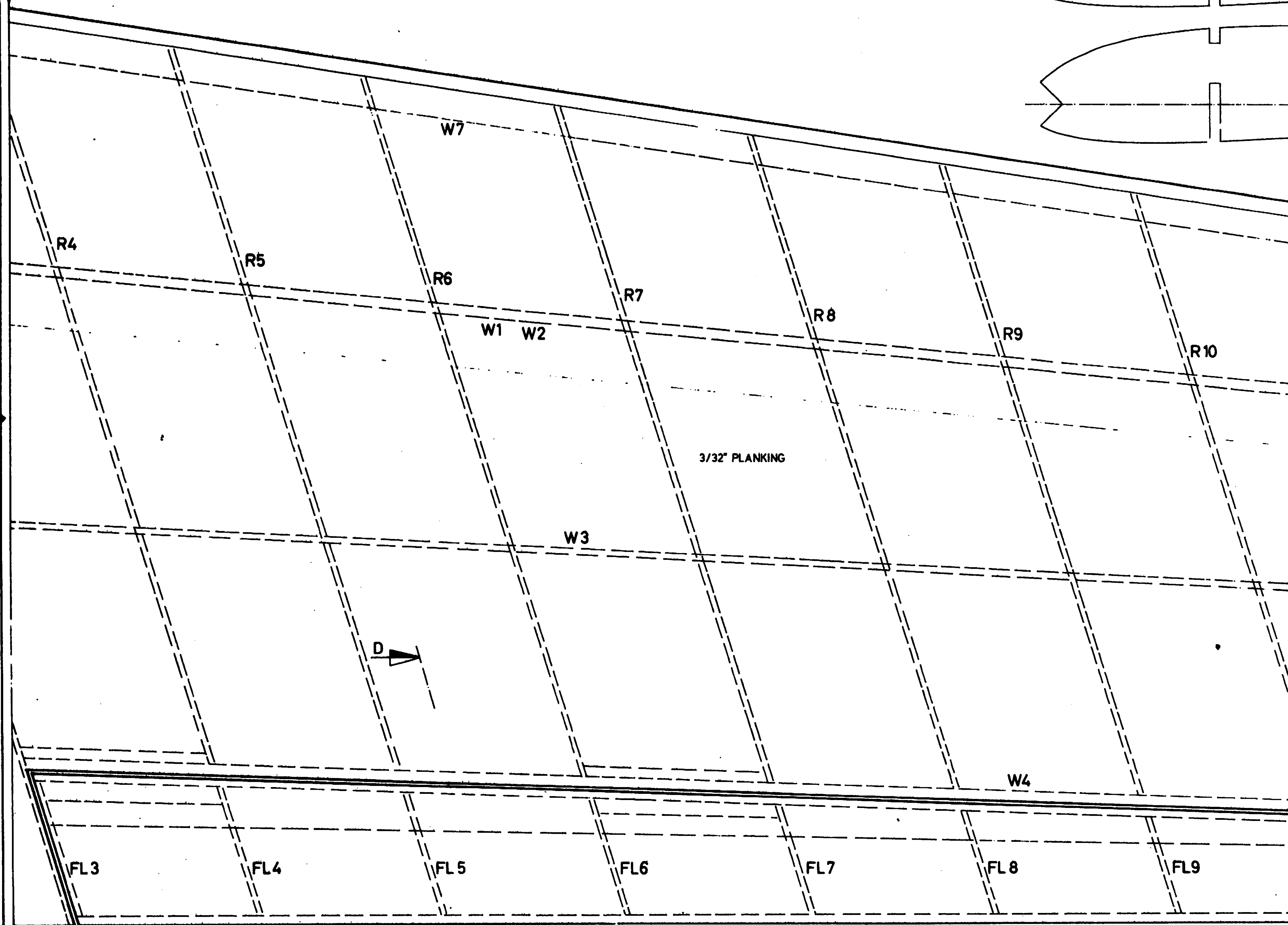
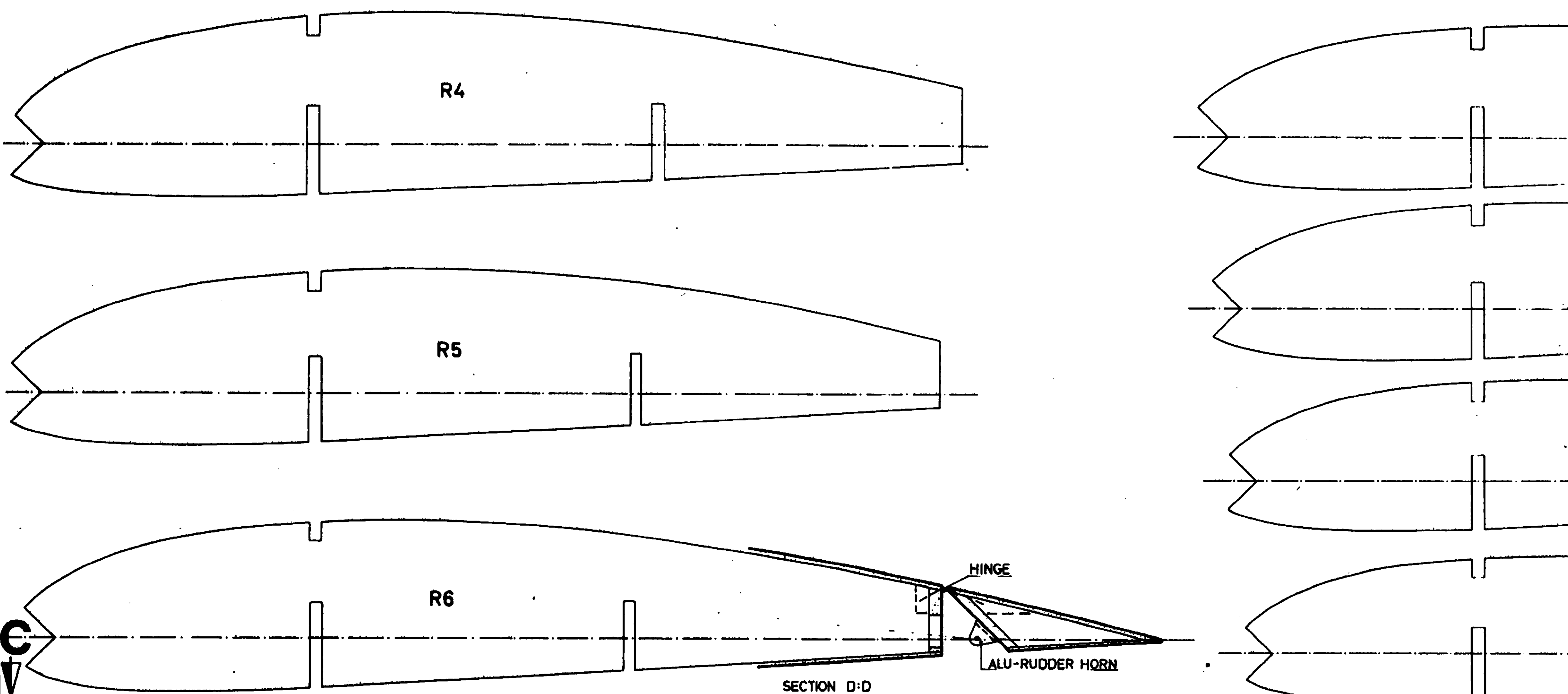
R/C MODELER MAG.

copyright by telaves	Designed by :	Drawn by :	Scale
	TELAVES	B.Huber 24.168	1:1
<b>Lear Liner</b>			
TELAVES 8320 Fahraltorf Switzerland			1305/4



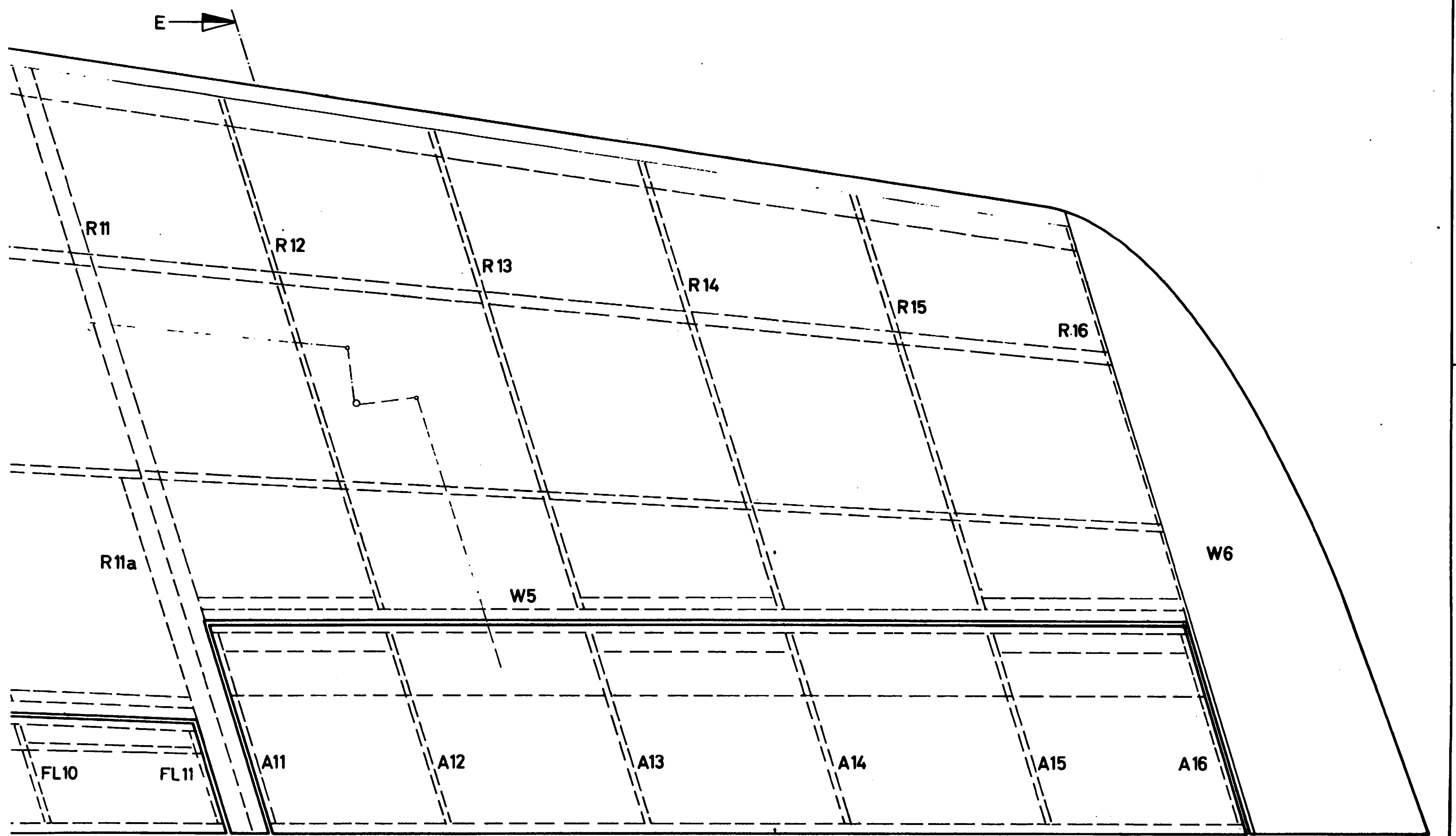
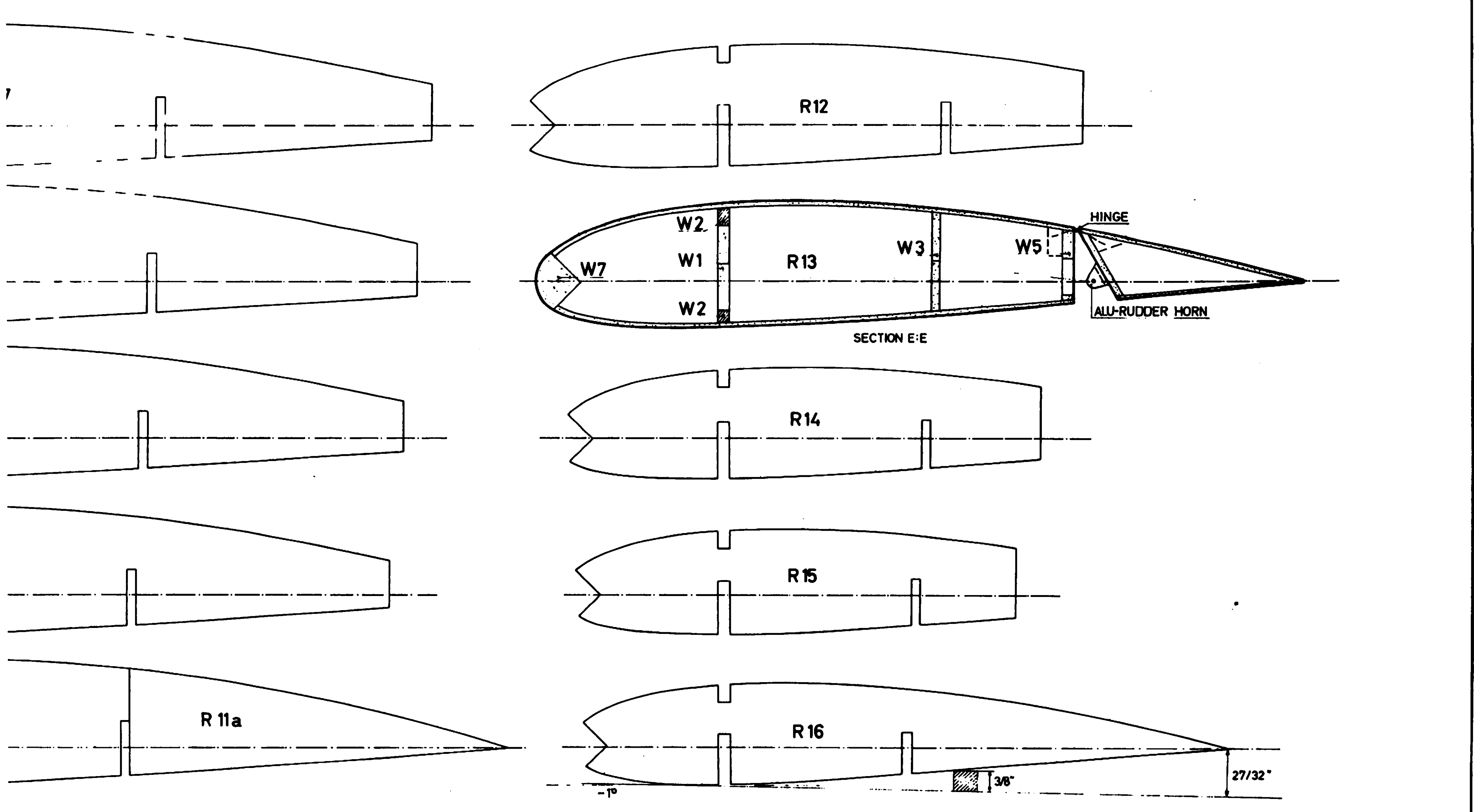
Copyright by Telaves	Designed by :	Drawn by :	Scale
	TELAVES	B.Huber 24.1.68	1:1
<b>Lear Liner</b>			
TELAVES 8320 Fehraltorf Switzerland			1305/5

R/C MODELER MAG.



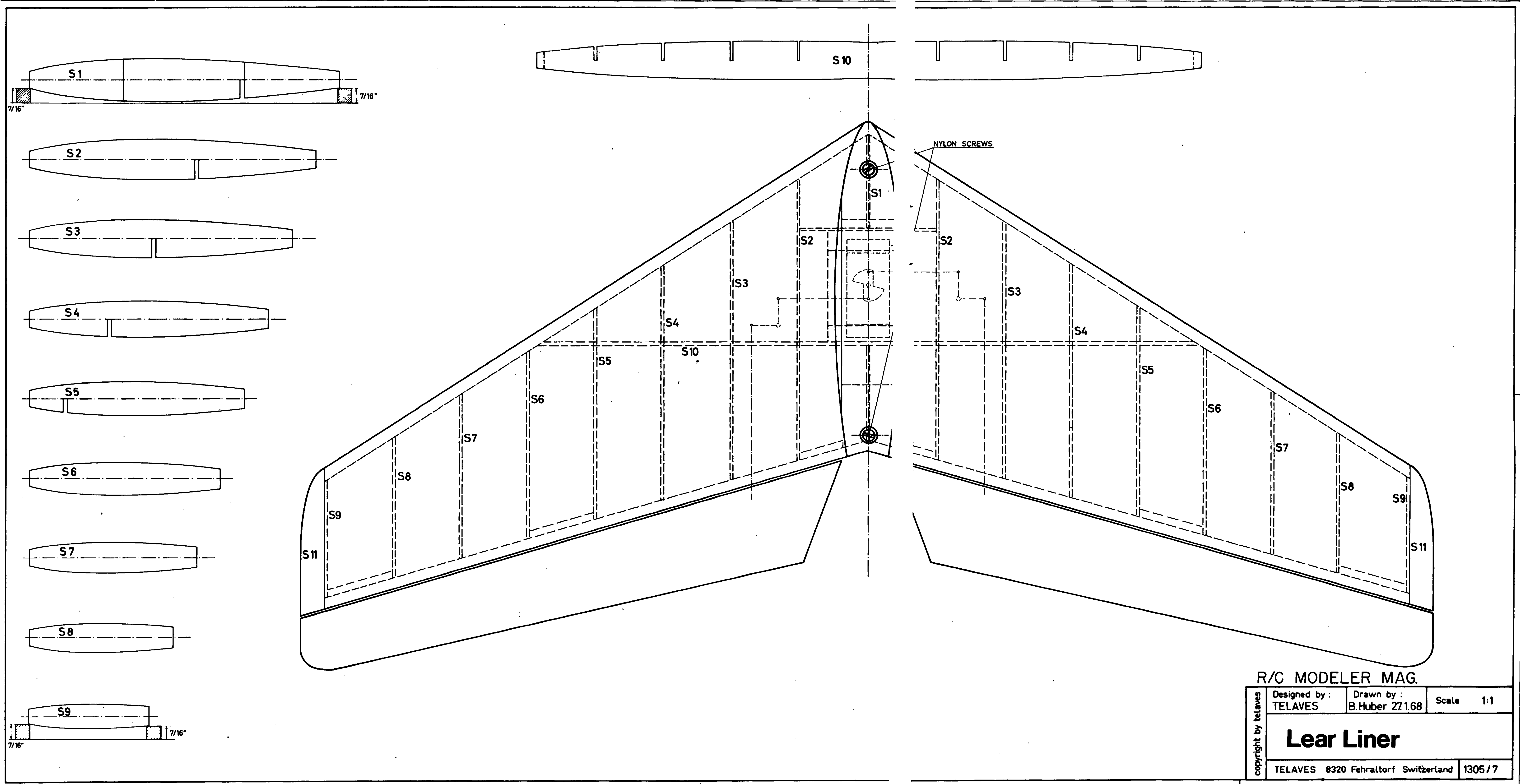
**C** **D** →

BUILD UP WING ON A FLAT SURFACE  
NO DIHEDRAL



**E** →

copyright by telaves	Designed by : TELAVES	Drawn by : B.Huber 27.1.68	Scale 1:1
	<b>Lear Liner</b>		
	TELAVES 8320 Fahraltorf Switzerland		1305/6



R/C MODELER MAG.

copyright by telaves	Designed by :	Drawn by :	Scale	1:1
	TELAVES	B.Huber 27.1.68		
	<b>Lear Liner</b>			
	TELAVES 8320 Fehraltorf Switzerland		1305/7	