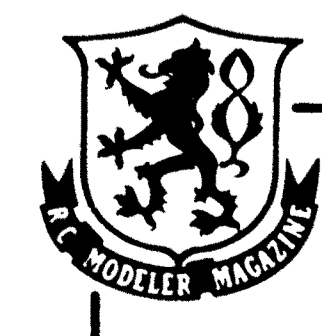
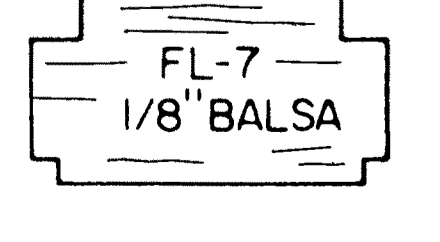
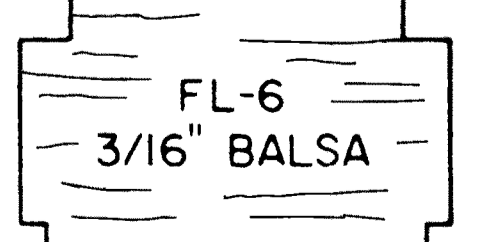
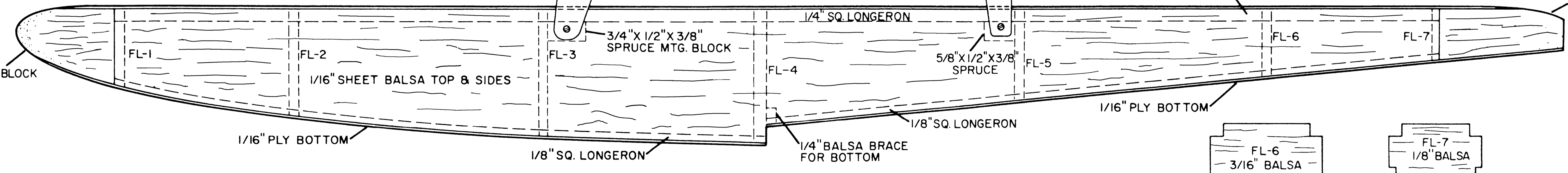
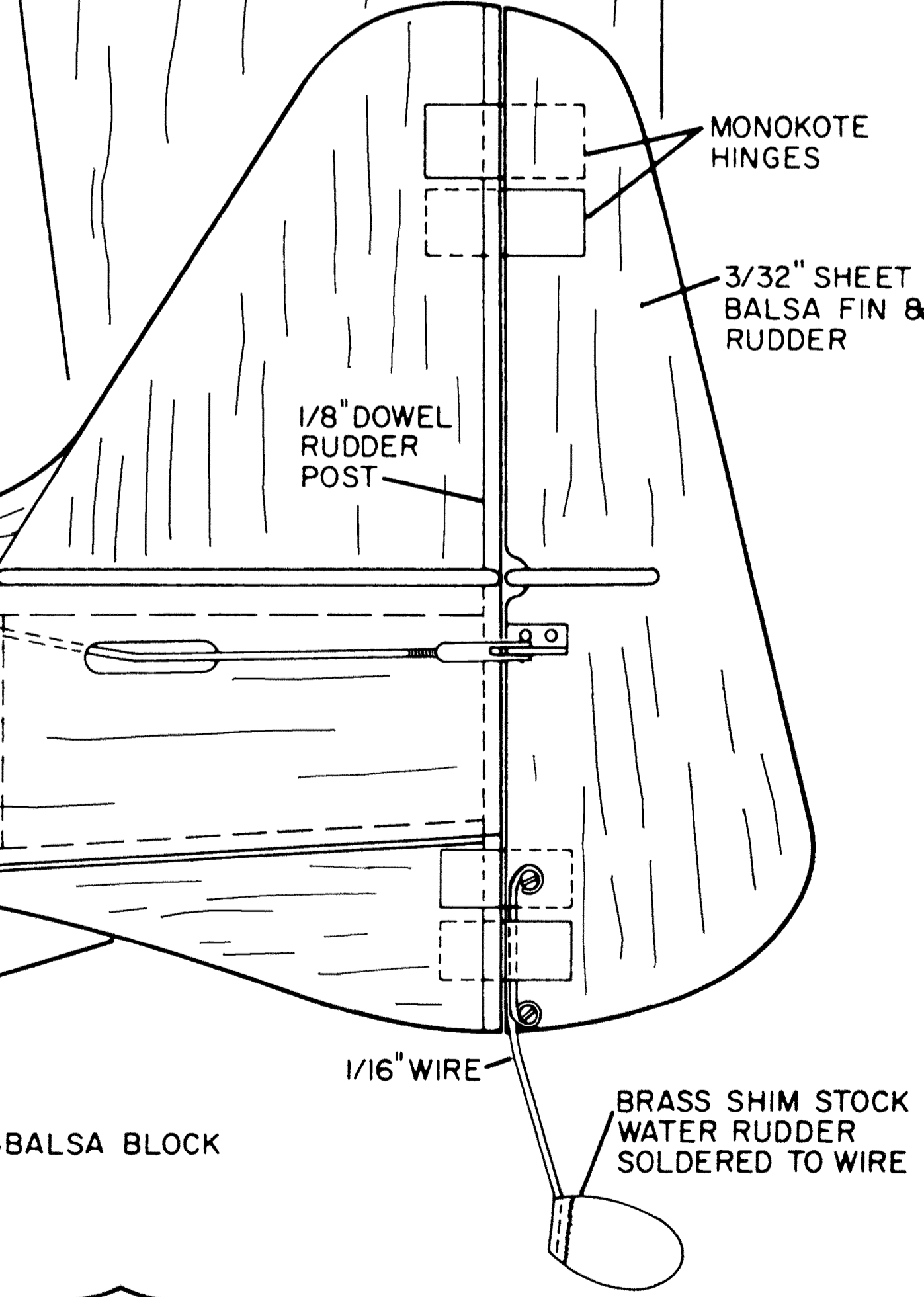
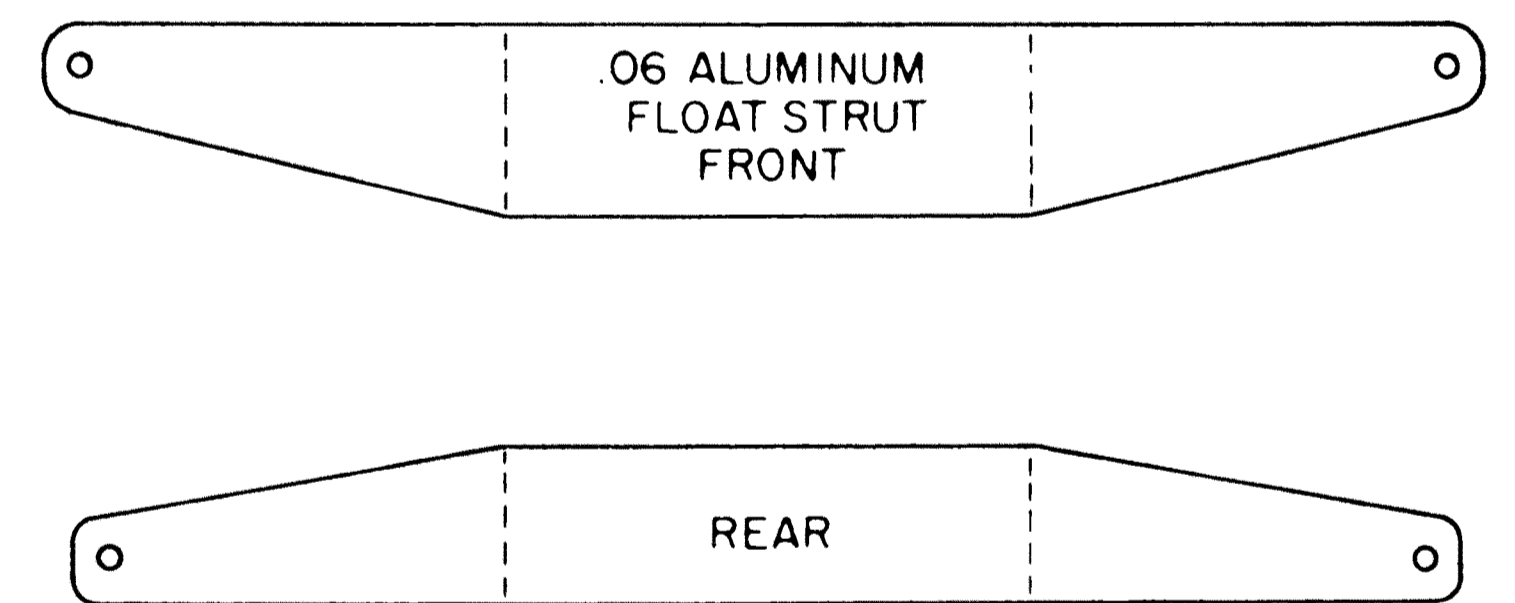
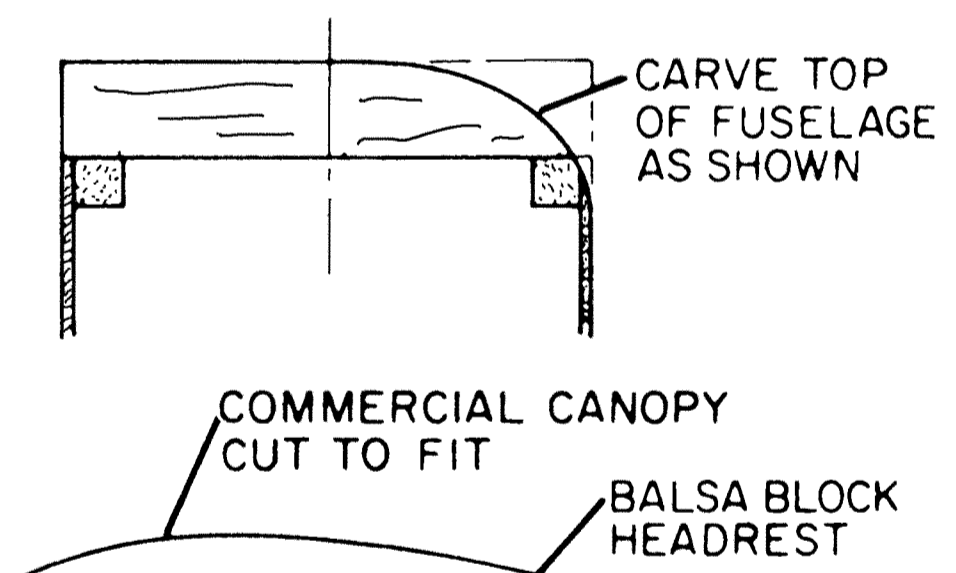
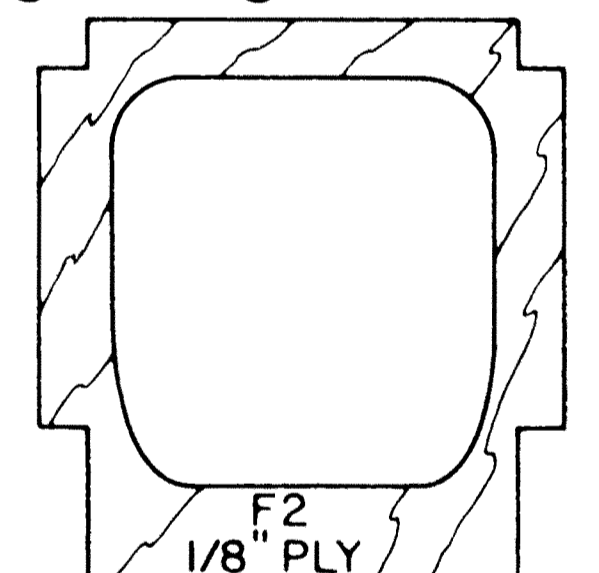
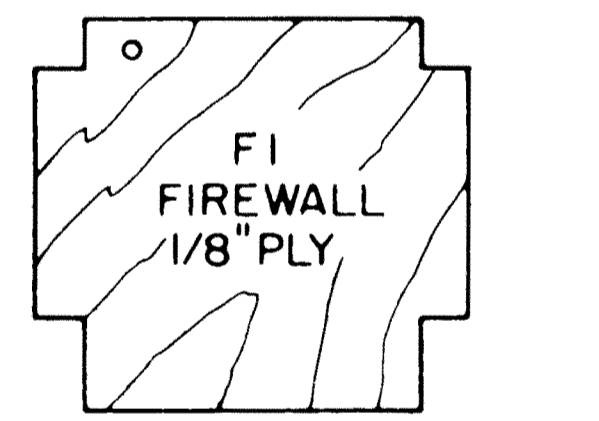
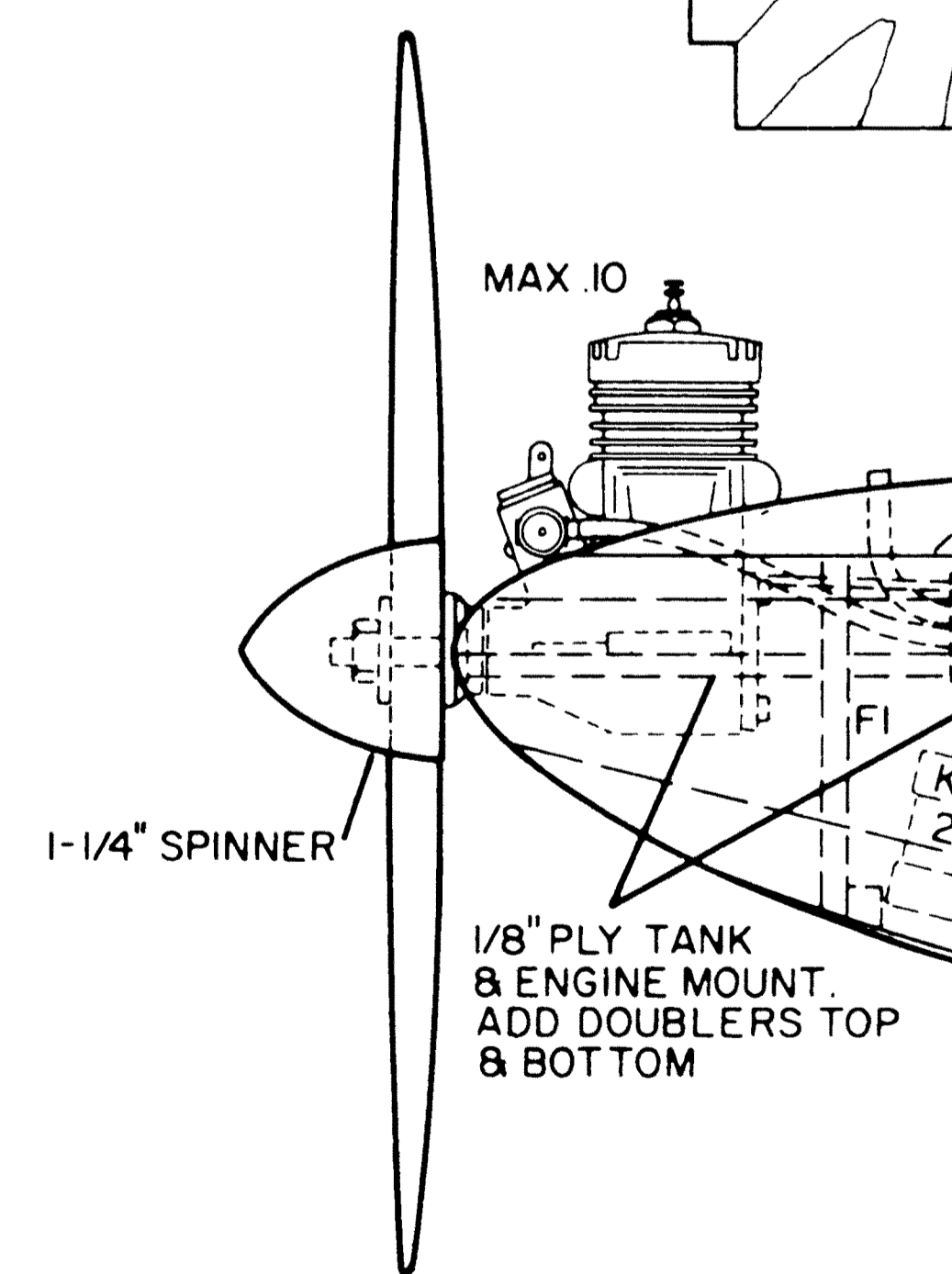
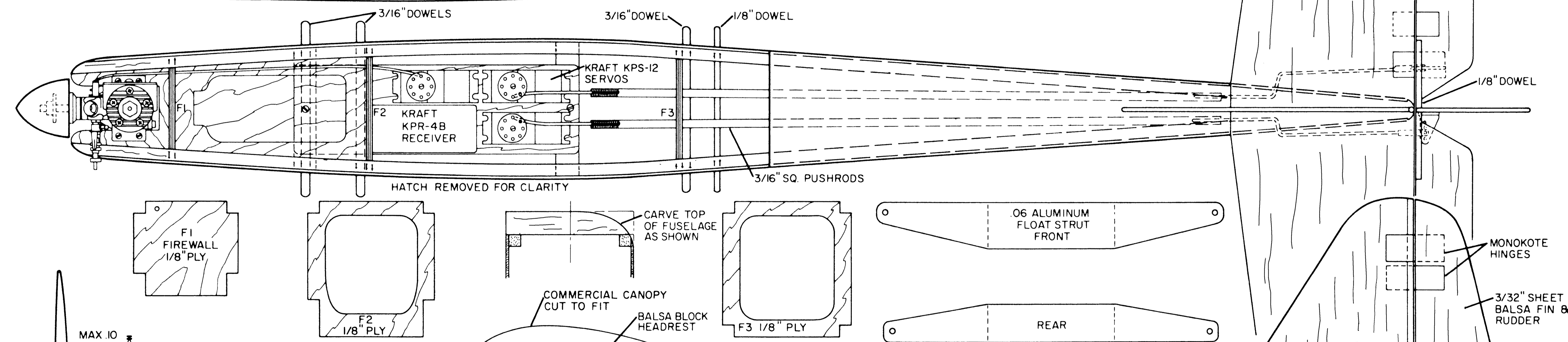
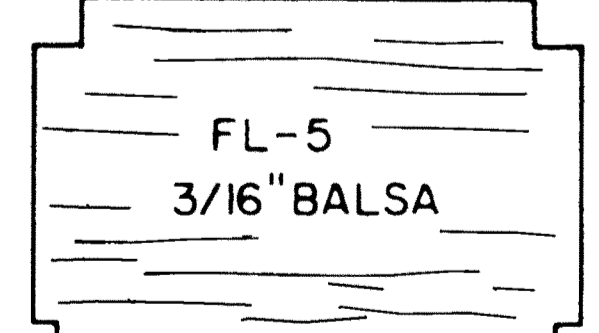
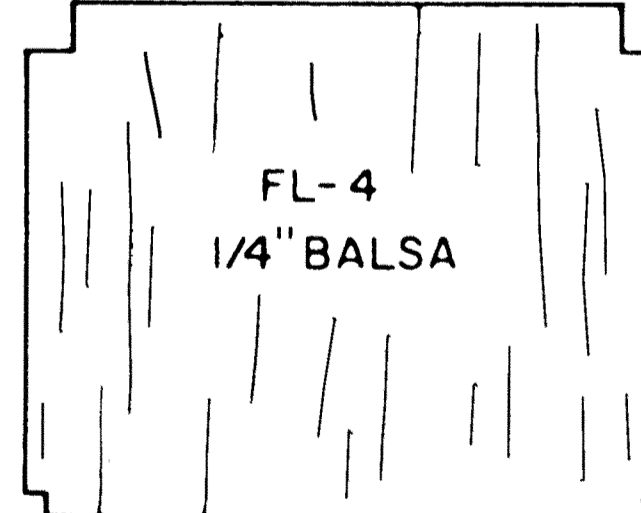
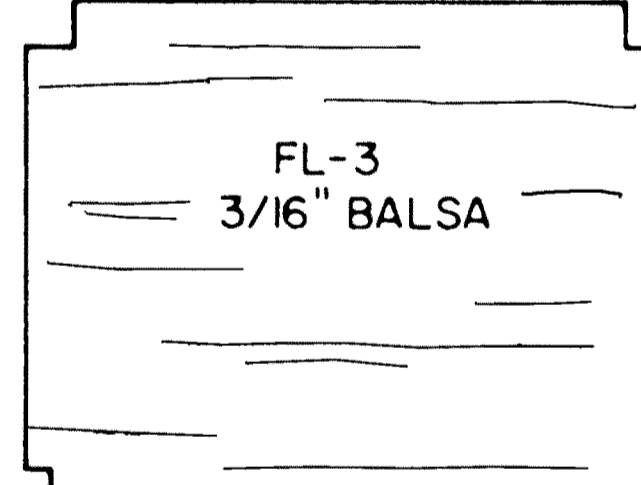
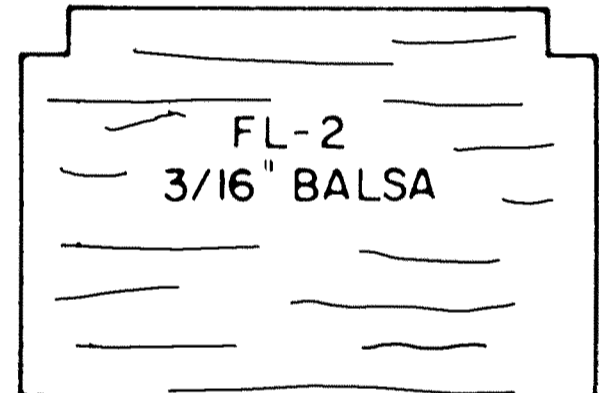
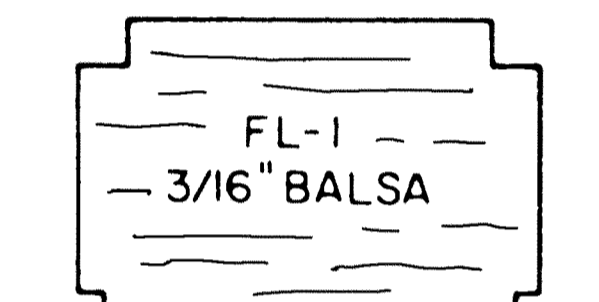
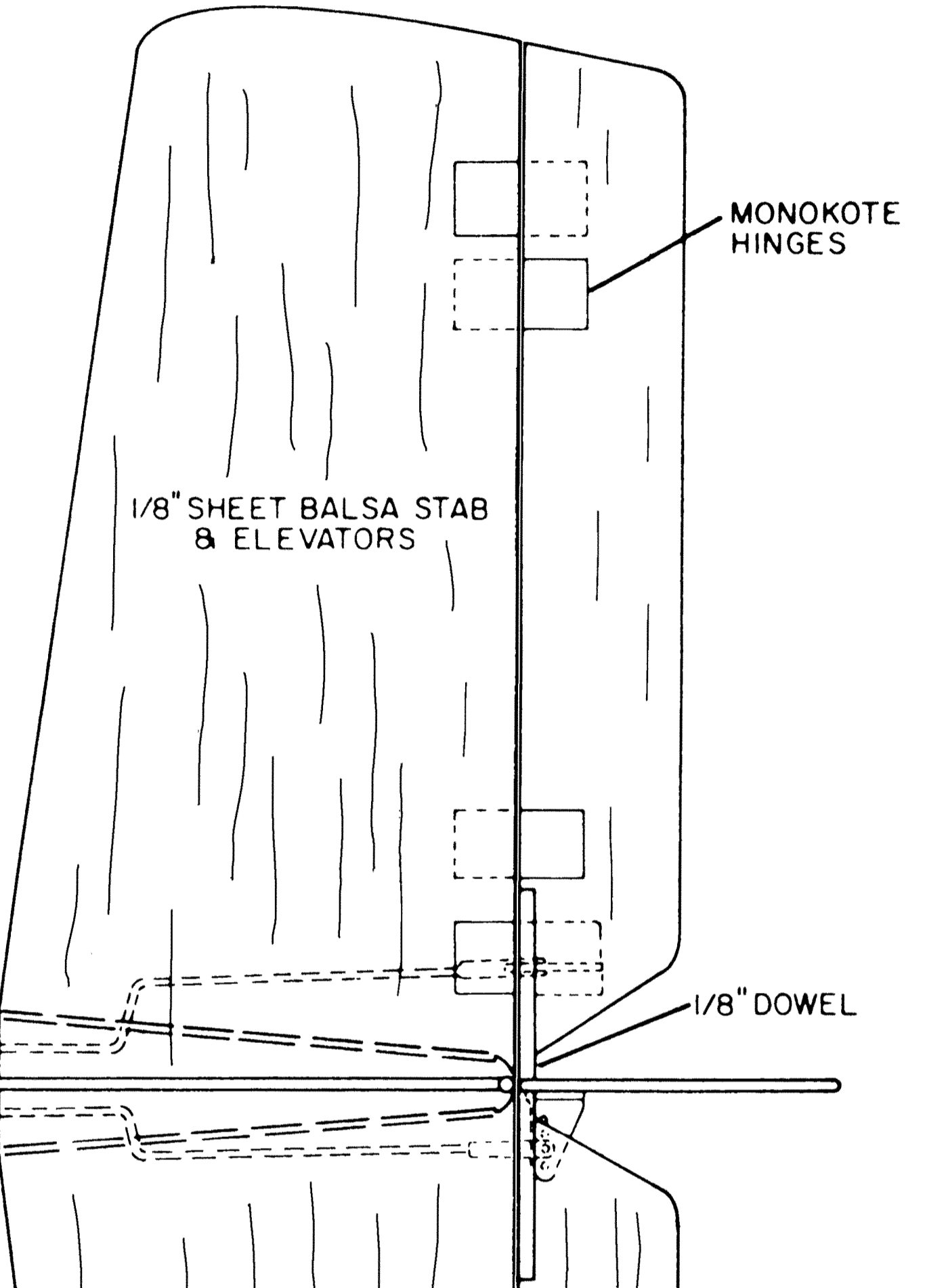
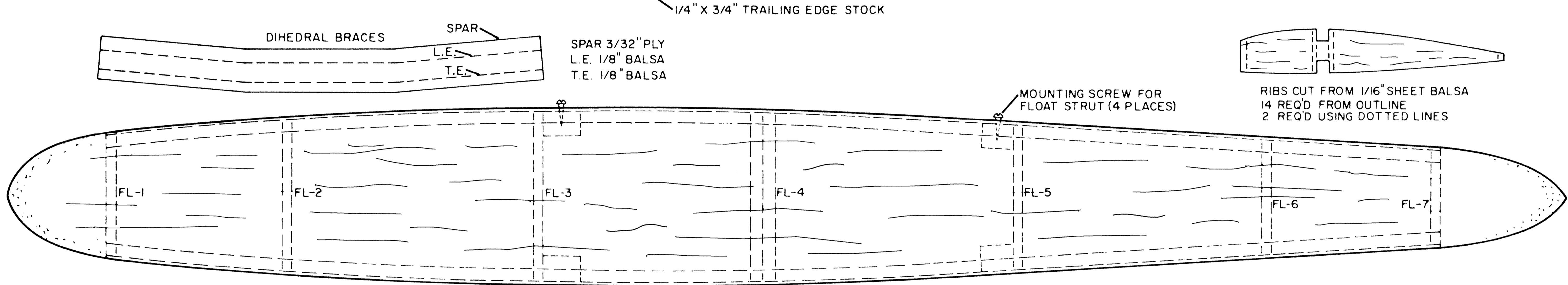
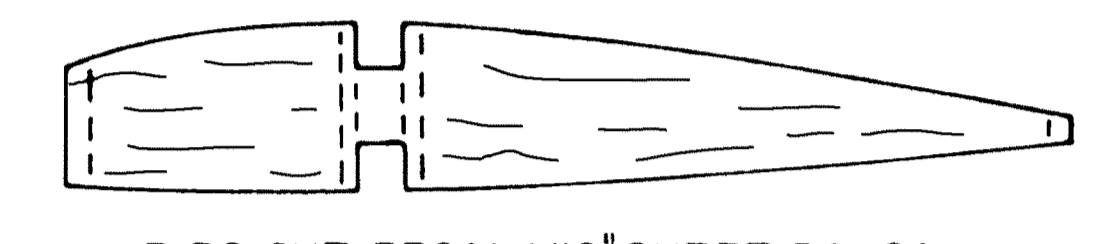


SPAR 3/32" PLY
L.E. 1/8" Balsa
T.E. 1/8" Balsa



THE ISLANDER

DESIGNED BY KEN WILLARD DRAWN BY DICK KIDD

